



PT40 SERIES

- Gauge, compound, absolute and vacuum ranges from 2 psig to 15,000 psig
- Premium accuracy
- Current and voltage outputs available
- 316 and 17-4PH Stainless Steel wetted parts
- Field adjustable offset and span
- CE compliant to suppress RFI, EMI and ESD
- RoHS compliant

APPLICATIONS

- Hydraulics & pneumatics
- Laboratory & test equipment
- Power generation
- Automation
- Mobile equipment
- General industrial

SPECIFICATIONS

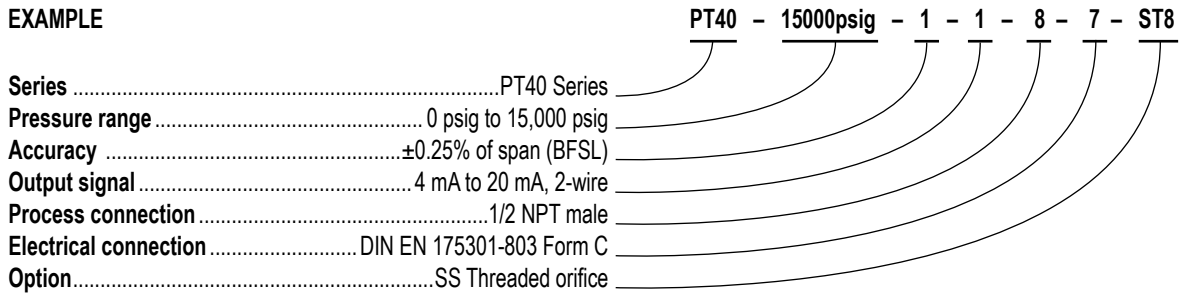
Output signals	4 mA to 20 mA, 2-wire; 0 Vdc to 5 Vdc, 0 Vdc to 10 Vdc, 1 Vdc to 5 Vdc, 3-wire	
Pressure ranges	Gauge, compound, absolute and vacuum ranges from 2 psi to 15,000 psi	
Accuracy*	±0.25% of span, optional ±0.125% of span, non-linearity best fit straight line per IEC 61298-2 at reference conditions	
Adjustment	± 10% full scale for zero and span	
Response time	Less than 1 ms (between 10% and 90% full scale)	
Service life	> 100 million load cycles	
Temperature ranges*	Compensated:	32 °F to 176 °F (0 °C to 80 °C)
	Media:	-22 °F to 212 °F (-30 °C to 100 °C)
	Ambient:	-22 °F to 185 °F (-30 °C to 85 °C)
	Storage:	-40 °F to 212 °F (-40 °C to 100 °C)
Power requirement*	10 Vdc to 30 Vdc:	4 mA to 20 mA, 2-wire 1 Vdc to 5 Vdc, 3-wire, 0 Vdc to 5 Vdc, 3-wire
	14 Vdc to 30 Vdc:	0 Vdc to 10 Vdc, 3-wire
Proof pressure	< 300 psi:	3 times full scale
	300 – 10,000 psi:	2 times full scale
	> 10,000 psi:	1.5 times full scale
Burst pressure	< 300 psi:	5 times full scale
	300 – 10,000 psi:	4 times full scale
	> 10,000 psi:	3 times full scale
Measuring element	316 Stainless Steel:	Vacuum through 300 psi
	17-4PH Stainless Steel:	≥ 500 psi
Process connection	316 Stainless Steel	
Housing material	316 Stainless Steel	
Environmental rating	IP65: DIN EN 175301-803 Form C IP67: 4-pin Bayonet, 6-pin Bayonet, 1/2" NPT conduit, M12 x 1 (4-pin), Integral cable	
Electromagnetic rating	CE compliant to EMC norm EN 61326:2014/A1:1998 RFI, EMI and ESD protection	
Electrical protection	Reverse polarity, overvoltage and short circuit protection	
Shock	1,000 g's according to IEC 60068-2-27	
Vibration	20 g's according to IEC 60068-2-6	
Weight	Approximately 7.5 oz.	

* See user manual for detailed specifications

ORDERING INFORMATION																																									
SERIES	PT40																																								
PRESSURE RANGES	<table border="0"> <tr> <td>15psiv -15 psig to 0 psig</td> <td>3psig 0 psig to 3 psig</td> <td>200psig 0 psig to 200 psig</td> <td>3000psig 0 psig to 3,000 psig</td> <td>30psia 0 psia to 30 psia</td> </tr> <tr> <td>15psic -15 psig to 15 psig</td> <td>5psig 0 psig to 5 psig</td> <td>300psig 0 psig to 300 psig</td> <td>4000psig 0 psig to 4,000 psig</td> <td>60psia 0 psia to 60 psia</td> </tr> <tr> <td>30psic -15 psig to 30 psig</td> <td>10psig 0 psig to 10 psig</td> <td>500psig 0 psig to 500 psig</td> <td>5000psig 0 psig to 5,000 psig</td> <td>100psia 0 psia to 100 psia</td> </tr> <tr> <td>60psic -15 psig to 60 psig</td> <td>15psig 0 psig to 15 psig</td> <td>600psig 0 psig to 600 psig</td> <td>6000psig 0 psig to 6,000 psig</td> <td>150psia 0 psia to 150 psia</td> </tr> <tr> <td>100psic -15 psig to 100 psig</td> <td>30psig 0 psig to 30 psig</td> <td>750psig 0 psig to 750 psig</td> <td>7500psig 0 psig to 7,500 psig</td> <td>200psia 0 psia to 200 psia</td> </tr> <tr> <td>200psic -15 psig to 200 psig</td> <td>60psig 0 psig to 60 psig</td> <td>1000psig 0 psig to 1,000 psig</td> <td>10000psig 0 psig to 10,000 psig</td> <td>300psia 0 psia to 300 psia</td> </tr> <tr> <td>300psic -15 psig to 300 psig</td> <td>100psig 0 psig to 100 psig</td> <td>1500psig 0 psig to 1,500 psig</td> <td>15000psig 0 psig to 15,000 psig</td> <td></td> </tr> <tr> <td>2psig 0 psig to 2 psig</td> <td>150psig 0 psig to 150 psig</td> <td>2000psig 0 psig to 2,000 psig</td> <td>15psia 0 psia to 15 psia</td> <td></td> </tr> </table> <p>psiv = vacuum gauge pressure psic = compound gauge pressure psig = gauge pressure psia = absolute pressure Other ranges available on request Note: Front flush connection is available for pressure ranges up to 0 psig to 8,000 psig</p>	15psiv -15 psig to 0 psig	3psig 0 psig to 3 psig	200psig 0 psig to 200 psig	3000psig 0 psig to 3,000 psig	30psia 0 psia to 30 psia	15psic -15 psig to 15 psig	5psig 0 psig to 5 psig	300psig 0 psig to 300 psig	4000psig 0 psig to 4,000 psig	60psia 0 psia to 60 psia	30psic -15 psig to 30 psig	10psig 0 psig to 10 psig	500psig 0 psig to 500 psig	5000psig 0 psig to 5,000 psig	100psia 0 psia to 100 psia	60psic -15 psig to 60 psig	15psig 0 psig to 15 psig	600psig 0 psig to 600 psig	6000psig 0 psig to 6,000 psig	150psia 0 psia to 150 psia	100psic -15 psig to 100 psig	30psig 0 psig to 30 psig	750psig 0 psig to 750 psig	7500psig 0 psig to 7,500 psig	200psia 0 psia to 200 psia	200psic -15 psig to 200 psig	60psig 0 psig to 60 psig	1000psig 0 psig to 1,000 psig	10000psig 0 psig to 10,000 psig	300psia 0 psia to 300 psia	300psic -15 psig to 300 psig	100psig 0 psig to 100 psig	1500psig 0 psig to 1,500 psig	15000psig 0 psig to 15,000 psig		2psig 0 psig to 2 psig	150psig 0 psig to 150 psig	2000psig 0 psig to 2,000 psig	15psia 0 psia to 15 psia	
15psiv -15 psig to 0 psig	3psig 0 psig to 3 psig	200psig 0 psig to 200 psig	3000psig 0 psig to 3,000 psig	30psia 0 psia to 30 psia																																					
15psic -15 psig to 15 psig	5psig 0 psig to 5 psig	300psig 0 psig to 300 psig	4000psig 0 psig to 4,000 psig	60psia 0 psia to 60 psia																																					
30psic -15 psig to 30 psig	10psig 0 psig to 10 psig	500psig 0 psig to 500 psig	5000psig 0 psig to 5,000 psig	100psia 0 psia to 100 psia																																					
60psic -15 psig to 60 psig	15psig 0 psig to 15 psig	600psig 0 psig to 600 psig	6000psig 0 psig to 6,000 psig	150psia 0 psia to 150 psia																																					
100psic -15 psig to 100 psig	30psig 0 psig to 30 psig	750psig 0 psig to 750 psig	7500psig 0 psig to 7,500 psig	200psia 0 psia to 200 psia																																					
200psic -15 psig to 200 psig	60psig 0 psig to 60 psig	1000psig 0 psig to 1,000 psig	10000psig 0 psig to 10,000 psig	300psia 0 psia to 300 psia																																					
300psic -15 psig to 300 psig	100psig 0 psig to 100 psig	1500psig 0 psig to 1,500 psig	15000psig 0 psig to 15,000 psig																																						
2psig 0 psig to 2 psig	150psig 0 psig to 150 psig	2000psig 0 psig to 2,000 psig	15psia 0 psia to 15 psia																																						
ACCURACIES	<table border="0"> <tr> <td>1 ±0.25% (of span, non-linearity, BFSL per IEC 61298-2 at reference conditions)</td> <td>2 ±0.125% (of span, non-linearity, BFSL per IEC 61298-2 at reference conditions)</td> </tr> </table>	1 ±0.25% (of span, non-linearity, BFSL per IEC 61298-2 at reference conditions)	2 ±0.125% (of span, non-linearity, BFSL per IEC 61298-2 at reference conditions)																																						
1 ±0.25% (of span, non-linearity, BFSL per IEC 61298-2 at reference conditions)	2 ±0.125% (of span, non-linearity, BFSL per IEC 61298-2 at reference conditions)																																								
OUTPUT SIGNALS	<table border="0"> <tr> <td>1 4 mA to 20 mA, 2-wire</td> <td>3 1 Vdc to 5 Vdc, 3-wire</td> </tr> <tr> <td>2 0 Vdc to 5 Vdc, 3-wire</td> <td>5 0 Vdc to 10 Vdc, 3-wire</td> </tr> </table>	1 4 mA to 20 mA, 2-wire	3 1 Vdc to 5 Vdc, 3-wire	2 0 Vdc to 5 Vdc, 3-wire	5 0 Vdc to 10 Vdc, 3-wire																																				
1 4 mA to 20 mA, 2-wire	3 1 Vdc to 5 Vdc, 3-wire																																								
2 0 Vdc to 5 Vdc, 3-wire	5 0 Vdc to 10 Vdc, 3-wire																																								
PROCESS CONNECTIONS	<table border="0"> <tr> <td>1 1/8" NPT male</td> <td>9 SAE J1926-1:7/16-20 female</td> <td>13 G 1 B Front flush (For ranges with span <30 psi)</td> </tr> <tr> <td>2 1/4" NPT male</td> <td>10 G1/4B EN837</td> <td>45 7/16-20 SAE J514 FIG 34B (Non-Adjustable)</td> </tr> <tr> <td>8 1/2" NPT male</td> <td>11 G 1/2B Front flush (For ranges with span ≥ 30 psi)</td> <td>83 G 1/2 B EN837</td> </tr> </table> <p>Other connections available upon request</p>	1 1/8" NPT male	9 SAE J1926-1:7/16-20 female	13 G 1 B Front flush (For ranges with span <30 psi)	2 1/4" NPT male	10 G1/4B EN837	45 7/16-20 SAE J514 FIG 34B (Non-Adjustable)	8 1/2" NPT male	11 G 1/2B Front flush (For ranges with span ≥ 30 psi)	83 G 1/2 B EN837																															
1 1/8" NPT male	9 SAE J1926-1:7/16-20 female	13 G 1 B Front flush (For ranges with span <30 psi)																																							
2 1/4" NPT male	10 G1/4B EN837	45 7/16-20 SAE J514 FIG 34B (Non-Adjustable)																																							
8 1/2" NPT male	11 G 1/2B Front flush (For ranges with span ≥ 30 psi)	83 G 1/2 B EN837																																							
ELECTRICAL CONNECTIONS	<table border="0"> <tr> <td>2 4-pin Bayonet</td> <td>16 1/2" NPT conduit w/ 3 ft. cable</td> <td>36 3 ft. Integral cable</td> </tr> <tr> <td>3 6-pin Bayonet</td> <td>17 DIN EN 175301-803 Form C w/ 3 ft. cable</td> <td>70 DIN EN 175301-803 Form C w/o mating connector</td> </tr> <tr> <td>7 DIN EN 175301-803 Form C</td> <td>25 M12 x 1 (4-pin)</td> <td></td> </tr> </table>	2 4-pin Bayonet	16 1/2" NPT conduit w/ 3 ft. cable	36 3 ft. Integral cable	3 6-pin Bayonet	17 DIN EN 175301-803 Form C w/ 3 ft. cable	70 DIN EN 175301-803 Form C w/o mating connector	7 DIN EN 175301-803 Form C	25 M12 x 1 (4-pin)																																
2 4-pin Bayonet	16 1/2" NPT conduit w/ 3 ft. cable	36 3 ft. Integral cable																																							
3 6-pin Bayonet	17 DIN EN 175301-803 Form C w/ 3 ft. cable	70 DIN EN 175301-803 Form C w/o mating connector																																							
7 DIN EN 175301-803 Form C	25 M12 x 1 (4-pin)																																								
OPTION	ST8 SS Threaded Orifice (0.8 mm)																																								

Please consult your local NOSHOK Distributor or NOSHOK, Inc. for availability and delivery information.

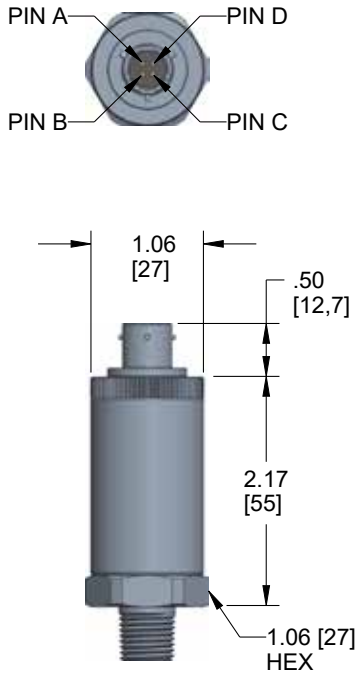
EXAMPLE



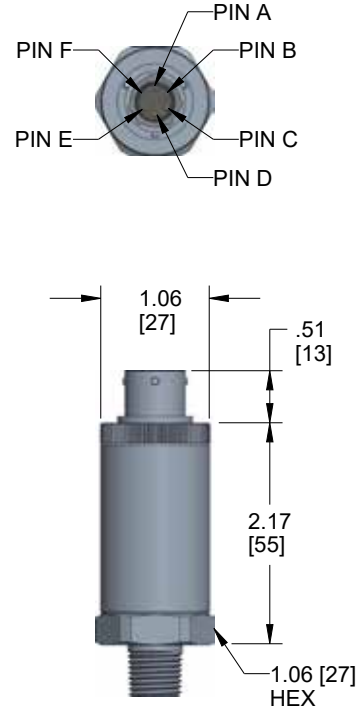
UNINSTALLED OPTIONS	
G1A-WELD-ON-ADAPTER Weld on adapter for front flush only	G1/2A-WELD-ON-ADAPTER Weld on adapter for front flush only

Dimensions

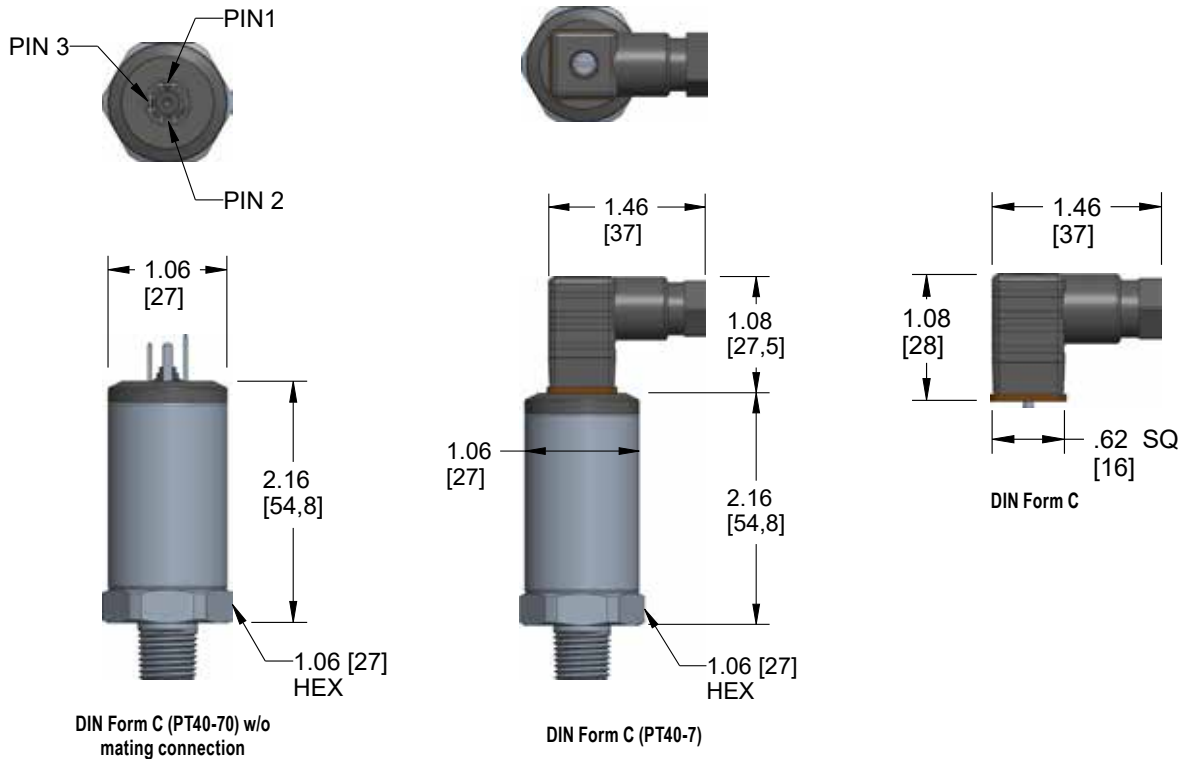
PT40-2 (4-Pin Bayonet)



PT40-3 (6-Pin Bayonet)



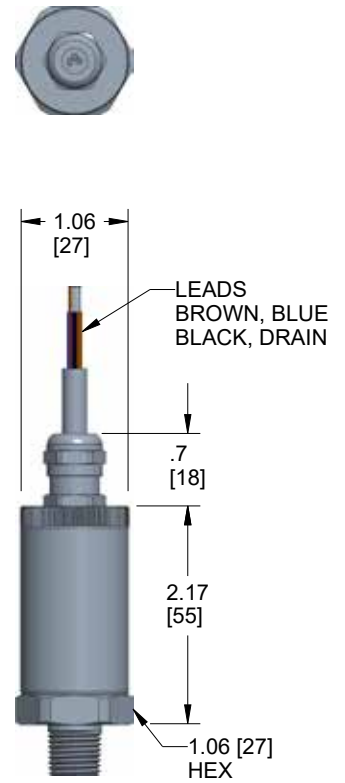
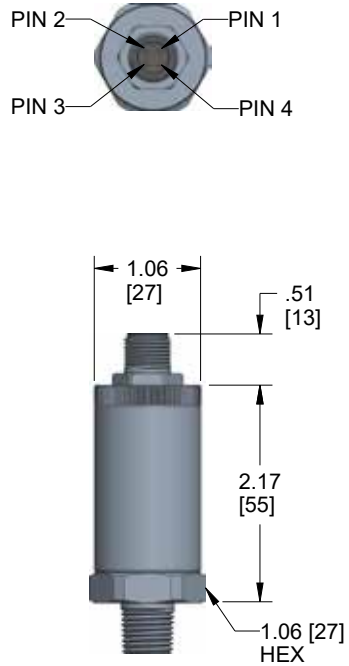
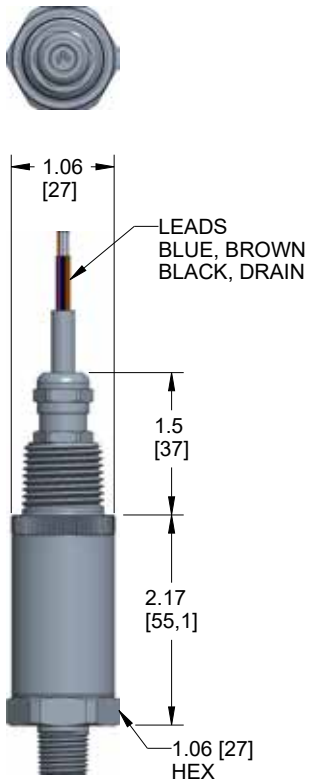
PT40 (DIN EN 175301-803 Form C)



PT40-16 (1/2" NPT conduit w/ 3 ft. cable)

PT40-25 (M12 x 1 4-pin)

PT40-36 (3 ft. Integral Cable)



PT40 Process Connections

