

## Applications and Uses

When it comes to configuration range, the MIST M22 assembly cannot be matched by any other temperature sensor in its class. A wide variety of probe diameters, temperature ranges and fitting configurations are available. Please consult the Custom Builder for a list of possible permutations.

USA Patent No.: 7,223,014  
CDN Patent No.: 2,561,570

## Stock Items

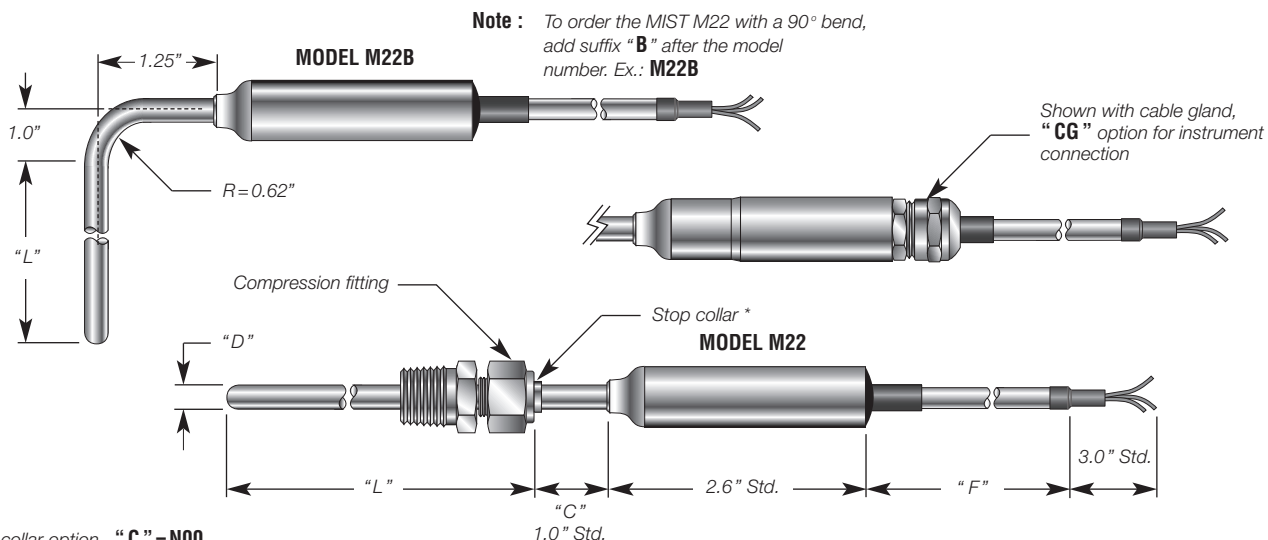
Intempco stocks the most commonly used MIST M22 assemblies with the following features:

- *Factory calibrated 4-20 mA output to a customer specified temperature range*
- *Operating temperature range of -50 to 200 °C (-58 to 392 °F)*
- *Order MIST PKIT programming kit to re-program and re-calibrate in-house*
- *1/4" probe diameter, stainless steel 316*
- *Adjustable compression fitting not included, order separately*
- *Cable supplied is a Teflon jacketed or Teflon armored 22 AWG stranded 4-conductor, copper silver plated, 6 ft long*
- *Probe lengths available are 4", 6", 9" and 12"*

To order a M22 with 9" probe and 4-20mA output calibrated to -25 to 125 °C, specify the inventory number and temperature range, ex.: M22L-N-TF090 (-25/125 °C) on your order. To calibrate the MIST M22 in house, order the Intempco MIST PKIT which includes the module and software.

## Ordering Information (Order using Intempco inventory number)

Catalog Number	Inventory Number	Probe Length "L"	Extension Cable
M22-L-LP-D-S-040-N10-N-TF-072	M22L-N-TF040	4.0"	Teflon
M22-L-LP-D-S-060-N10-N-TF-072	M22L-N-TF060	6.0"	Teflon
M22-L-LP-D-S-090-N10-N-TF-072	M22L-N-TF090	9.0"	Teflon
M22-L-LP-D-S-120-N10-N-TF-072	M22L-N-TF120	12.0"	Teflon
M22-L-LP-D-S-040-N10-N-TA-072	M22L-N-TA040	4.0"	Teflon with SS armor
M22-L-LP-D-S-060-N10-N-TA-072	M22L-N-TA060	6.0"	Teflon with SS armor
M22-L-LP-D-S-090-N10-N-TA-072	M22L-N-TA090	9.0"	Teflon with SS armor
M22-L-LP-D-S-120-N10-N-TA-072	M22L-N-TA120	12.0"	Teflon with SS armor



\* No stop collar option, "C" = N00  
Stop collar recommended for temperature above 100°C

USA Patent No.: 7,223,014  
CDN Patent No.: 2,561,570

## Custom Builder

MODEL      1      2      3      4      5      6      7      8      9      10

**M22** - [ ] - [ ] - [ ] - [ ] - [ ] - [ ] - [ ] - [ ] - [ ] - [ ]

BOX1 CODE	Calibrated Temperature Range
05	0°C to 50°C (32/122°F)
10	0°C to 100°C (32/212°F)
15	0°C to 150°C (32/302°F)
20	0°C to 200°C (32/392°F)
55	-50°C to 50°C (-58/122°F)
51	-50°C to 150°C (-58/302°F)
52	-50°C to 200°C (-58/392°F)
L*	-50°C to 200°C (-58/392°F)
H*	-200°C to 600°C (-328/1112°F)

\* Code **L** & **H** are not factory calibrated. Requires customer calibration using the **MIST PKIT**.

### Notes:

- MIST Temperature Sensors™ are factory calibrated at one point to an accuracy of ±0.12°@0°C or better. See MIST specs.
- For non-standard temperature ranges, indicate desired value in °C or °F in Box1 or see web site [www.intempco.com](http://www.intempco.com).
- Order **MIST PKIT** for sensor customization.

BOX2 CODE	Output
LP	4-20mA loop, upscale burnout (std.)
LD	4-20mA loop, downscale burnout
VA	0-5 Vdc, 3-wire
VB	1-5 Vdc, 3-wire
VD	0-10 Vdc, 3-wire

Other outputs available. Consult factory.

BOX3 CODE	Probe Diameter "D"
B	1/8"
C	3/16"
D	1/4"
F	3/8"
H	1/2"

Other diameters available. Consult factory.

BOX4 CODE	Probe Material
S	Stainless steel 316/316L

Other materials available. Consult factory.

BOX5 CODE	Probe Length "L"
---	In 0.1" increments Ex.: <b>065</b> = 6.5" long

BOX6 CODE	Extension Cold Leg Length "C"
N --	In 0.1" increments (1.0" Std.) Ex.: <b>N10</b> = 1.0" long

BOX7 CODE	Instrument Connection
N	None, smooth shank
SR	Strain Relief
EN	1/2" NPT male
EE	1/2" NPS male
CG	Nickle plated brass cable gland

Other connections available. Consult factory.

BOX8 CODE	Fitting Type
0	None
A**S	Adjustable fitting*
<b>Ferrule material :</b> <b>A</b> = Stainless steel* <b>B</b> = Brass* <b>T</b> = Teflon® * Not readjustable with metal ferrule	
<b>Fitting material :</b> <b>S</b> = Stainless steel <b>B</b> = Brass Ex.: <b>T14B</b> = Teflon® ferrule, 1/4" NPT, Brass fitting	
<b>Process NPT size :</b> ** <b>18</b> = 1/8" NPT <b>14</b> = 1/4" NPT <b>38</b> = 3/8" NPT <b>12</b> = 1/2" NPT <b>34</b> = 3/4" NPT <b>44</b> = 1" NPT	

BOX9 CODE	Extension Cable Type
PV	PVC insulation, 90°C (195°F) max.
TF	Teflon® insulation, 200°C (392°F) max.
TA	Teflon® with SS armor, 200°C (392°F) max.
TB	Teflon® with SS overbraid, 200°C (392°F) max.

BOX10 CODE	Extension Cable Length "F"
---	In inches Ex.: <b>060</b> = 60" long
<b>Note :</b> Extension wires 12" long and less are single stranded leads, 22 AWG	