



Electric Automated Ball Valve Package

Series F8R 3-Piece Ball Valve



Regular Port Valve

1500 & 2000 psi WOG (by size)

Available 1/4"– 2-1/2"

316SS OR WCB Body

316SS Ball & Stem

Belleville Washers, Double Chevron Packing, RTFE Seats Standard

Threaded, SW or BW

STANDARDS

ANSI	B16.34, B16.25, B1.20.1, B16.11
API	6D, 598, 607
ISO	5211, 5209, 5752, 7/1, 261
MSS	PS25, PS72
BS	5351, 6755-1, 6755-2

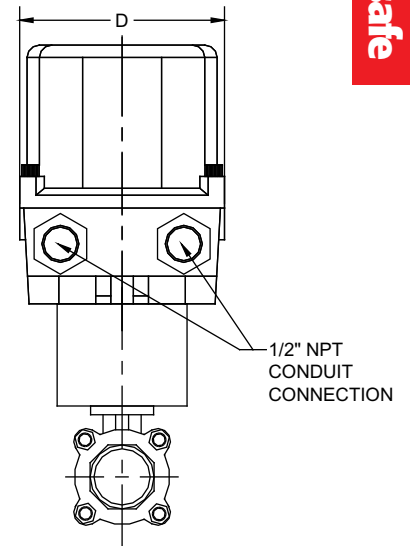
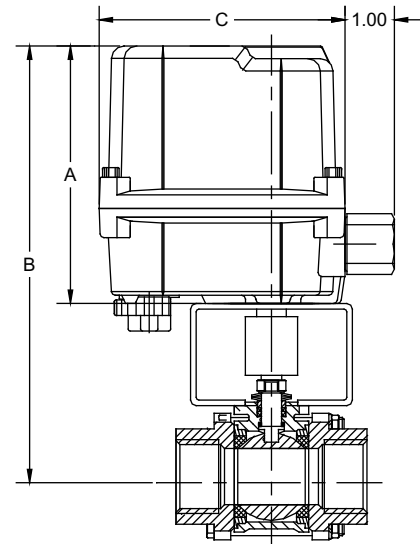
API 607 - 4th Edition CERTIFIED



Direct Mount
Firesafe tested to API-607

DIMENSIONS (IN)

VALVE SIZE	A	B	C	D	VALVE Cv
1/4"	5.24	7.89	4.94	4.08	8
3/8"	5.24	7.89	4.94	4.08	8
1/2"	5.24	7.89	4.94	4.08	8
3/4"	5.24	7.89	4.94	4.08	15
1"	5.24	8.02	4.94	4.08	34
1-1/4"	5.24	8.14	4.94	4.08	56
1-1/2"	5.24	8.29	4.94	4.08	95
2"	5.24	8.66	4.94	4.08	200
2-1/2"	5.24	9.54	4.94	4.08	350



SERIES F8R 3 Piece Firesafe

ON-OFF	
SIZE	MODEL
1/4"	F8R-TX-025/WEA1-XX
3/8"	F8R-TX-038/WEA1-XX
1/2"	F8R-TX-050/WEA1-XX
3/4"	F8R-TX-075/WEA1-XX
1"	F8R-TX-100/WEA1-XX
1-1/4"	F8R-TX-125/WEA1-XX
1-1/2"	F8R-TX-150/WEA1-XX
2"	F8R-TX-200/WEA1-XX
2-1/2"	F8R-TX-250/WEA1-XX

MODULATING	
SIZE	MODEL
1/4"	F8R-TX-025/WEA2-XX
3/8"	F8R-TX-038/WEA2-XX
1/2"	F8R-TX-050/WEA2-XX
3/4"	F8R-TX-075/WEA2-XX
1"	F8R-TX-100/WEA2-XX
1-1/4"	F8R-TX-125/WEA2-XX
1-1/2"	F8R-TX-150/WEA2-XX
2"	F8R-TX-200/WEA2-XX
2-1/2"	F8R-TX-250/WEA2-XX

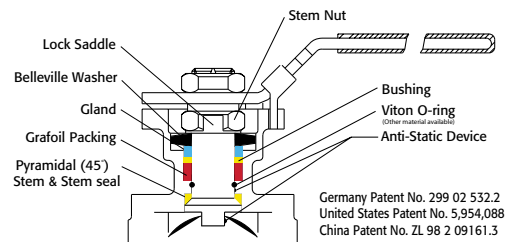
OPTIONS

DESCRIPTION
24 VAC/24 VDC/220VAC
Feedback potentiometer

NOTE: Heater and thermostat standard
(2) auxiliary switches standard
Other options available - call for details
Actuators are sized based on clean/clear fluid.

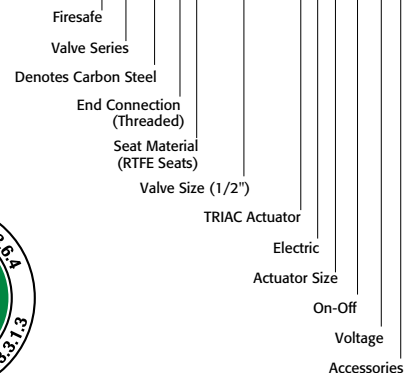
See valve part number matrix for complete part number and options.

050111-F8REL



Germany Patent No. 299 02 532.2
United States Patent No. 5,954,088
China Patent No. ZL 98 2 09161.3

SAMPLE PART # F8RC-TX-050/WEA1-XX



Triac Division
11363 Deerfield Rd.
Cincinnati, Ohio 45242

PHONE (513) 247-5465
FAX (513) 247-5462
e-mail: sales@a-tcontrols.com
www.a-tcontrols.com

Valve Options

Various Seat Materials

PTFE, RTFE, 50/50, 15% CFTE, Delrin PEEK, Hard Facing, UHMWPE, TFM-1600

Several hard face and metal-metal options

Gear Operators

Quarter-turn Gear Operators

Spring Return "Deadman" Handles

Oval handles, TEE Handles

Specials and Solutions

Steam Jackets

Stem Extensions

V-ported Control Valves

Multi-port Valve Solutions

Fugitive Emissions Bonnets (TSM's)

Oxygen Cleaning

Lockout Brackets

Vented Balls

"No Play" Mounting Kits

- **FM Approved Valves and Assemblies**



Triac Division
11363 Deerfield Rd.
Cincinnati, Ohio 45242

PHONE (513) 247-5465
FAX (513) 247-5462
e-mail: sales@a-tcontrols.com
www.a-tcontrols.com

050111-F8R

Other Products

Special Seats

Balls and Seal Designs



Steam Jacketed Valves



Floor Mounted Damper Drives



Limit Switches

Mounted on Manual Valves



Fusible Link Assemblies



180° Actuators



Lockout Mounting Kits



Stem Extensions



Special Multi-Port Valves



Dual Valve Assemblies

