

Industrial piezoelectric accelerometer

793-10



Key features

- Rugged, general purpose
- Corrosion resistant
- Priced economically for single and OEM quantities
- Hermetically sealed
- Standardized sensitivity
- Ground isolated
- ESD protection
- Reverse wiring protection
- Intrinsically safe certified option

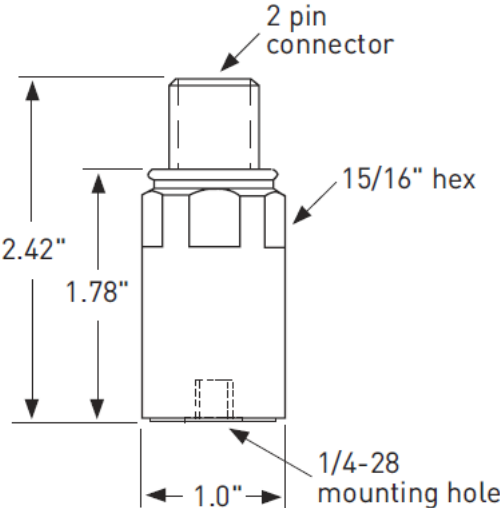
Certifications

Optional intrinsic safety certification



Applications

- Engine monitoring
- Machinery monitoring
- Ship board machinery
- Shock & vibration
- Predictive maintenance
- Shock pulse measurements



Connections	
Function	Connector pin
power/signal	A
common	B

Note: Due to continuous process improvement, specifications are subject to change without notice. This document is cleared for public release.

Industrial piezoelectric accelerometer

793-10

SPECIFICATIONS

Sensitivity, $\pm 5\%$, 25° C		10 mV/g
Acceleration range		500 g peak
Amplitude nonlinearity		1%
Frequency response:	$\pm 5\%$	3 - 5,000 Hz
	$\pm 10\%$	2 - 7,000 Hz
	± 3 dB	1 - 15,000 Hz
Resonance frequency, mounted, nominal		25 kHz
Transverse sensitivity, max		5% of axial
Temperature response:	-50° C	-10%
	+120° C	+5%
Voltage source		18 - 30 VDC
Current regulating diode		2 - 10 mA
Electrical noise, equiv. g, nominal:		
Broadband	2.5 Hz to 25 kHz	4,500 μ g
Spectral	10 Hz	50 μ g/ \sqrt Hz
	100 Hz	40 μ g/ \sqrt Hz
	1,000 Hz	20 μ g/ \sqrt Hz
Output impedance, max		100 Ω
Bias output voltage, nominal		12 VDC
Grounding		case isolated, internally shielded
Temperature range		-50 to +120° C
Vibration limit		500 g peak
Shock limit		5,000 g peak
Electromagnetic sensitivity, equiv. g		15 μ g/gauss
Humidity limit		100% relative
Base strain sensitivity		0.001 g/ μ strain
Weight		110 grams
Case material		stainless steel
Mounting		1/4-28 tapped hole
Output connector		2 pin, MIL-C-5015 style
Mating connector		R6
Recommended cabling		J9T2A / J10

Contact

Wilcoxon Sensing
Technologies

20511 Seneca Meadows Parkway
Germantown, MD 20876, USA

Tel: +1 301 330 8811
Fax: +1 301 330 8873

info@wilcoxon.com

www.wilcoxon.com

Accessories supplied:

- Calibration data
- CCD card
- SF6 mounting stud

Accessories available:

Magnetic mounting bases,
cementing studs, power
supplies, amplifiers, signal
conditioners

Options: Intrinsic safety cer-
tification (Model 793-10-35)

Note: Due to continuous process improvement, specifications are subject to change without notice.
This document is cleared for public release.

Wilcoxon Sensing Technologies
20511 Seneca Meadows Parkway
Germantown, MD 20876
info@wilcoxon.com

Tel: (301) 330 8811
Fax: (301) 330 8873
www.wilcoxon.com

Wilcoxon Sensing Technologies
An Amphenol Company