

## Thank You

Thanks for purchasing a PT-200 pressure transmitter from us! We appreciate your business and your trust. Please take a moment to familiarize yourself with the product and this manual before installation. If you have any questions, at any time, don't hesitate to call us at 888-525-7300. You can also find a full list of our product manuals at:

[www.apgsensors.com/resources/product-resources/user-manuals](http://www.apgsensors.com/resources/product-resources/user-manuals)

## Table of Contents

- |                           |                          |                         |
|---------------------------|--------------------------|-------------------------|
| 1. Description            | 4. Mounting Instructions | 7. General Care         |
| 2. How To Read Your Label | 5. Wiring Information    | 8. Repair Information   |
| 3. Warranty               | 6. Dimensions            | 9. Removal Instructions |

### 1 Description

PT-200 pressure transmitters are rugged, general purpose sensors that offer reliable and accurate measurements under harsh conditions. The sensor fitting is machined from a solid piece of 17-4PH to provide stable operation when subjected to shock and vibration. PT-200s also incorporate digital compensation and temperature correction for high accuracy and stability.

### 2 How To Read Your Label

Each label comes with a full model number, a part number, and a serial number. The model number for the PT-200 will look something like this:

▲ SAMPLE: PT-200-L1-500PSIG-E51-P0

The model number correlates with all the configurable options and tells you exactly what you have. Compare the model number to the options on the datasheet to identify your exact configuration. You can also call us with the model, part, or the serial number and we can help you.

### 3 Warranty

This product is covered by APG's warranty to be free from defects in material and workmanship under normal use and service of the product for 24 months. For a full explanation of our Warranty, please visit [www.apgsensors.com/resources/warranty-certifications/warranty-returns/](http://www.apgsensors.com/resources/warranty-certifications/warranty-returns/). Contact Technical Support to receive a Return Material Authorization before shipping your product back.

## PT-200 SERIES

### 0.5% Industrial Pressure Transmitters

## Installation Guide



Automation Products Group, Inc.  
1025 W 1700 N Logan, UT 84321  
[www.apgsensors.com](http://www.apgsensors.com) | phone: 888-525-7300 | email: [sales@apgsensors.com](mailto:sales@apgsensors.com)

Doc #9004665 Rev D

### 4 Mounting Instructions

Mounting your PT-200 pressure transmitter is easy if you follow a few simple steps:

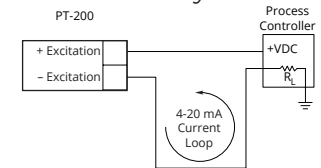
- Never over-tighten the sensor. This can compress the diaphragm, changing how it reacts to pressure. In all cases, tighten the sensor as little as possible to create an adequate seal.
- Always use thread tape or sealant compound on tapered threads. Wrap thread tape in the opposite direction of the threads so it does not unravel as you screw the sensor into place. Unraveling can cause uneven distribution and seal failure.
- Always start screwing in your sensor by hand to avoid cross-threading. Thread failure can be a problem if you damage threads by over-tightening them or by crossing threads.

### 5 Wiring Information

PT-200 Pin Out Table

	Packard Connector	Pig Tail 3/C with Shield	M12 Connector
Excitation -	A	Black	Pin 2
Excitation +	B	Red	Pin 1
No Connection	C	White	Pins 3, 4
Gnd	-	Shield	-

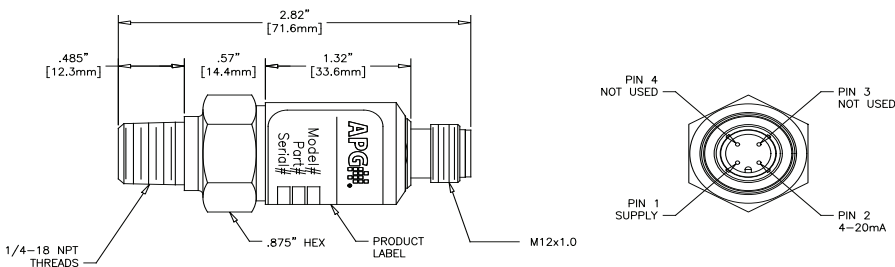
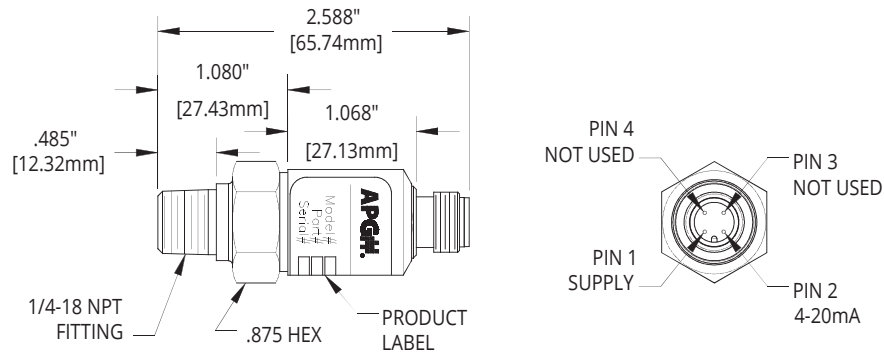
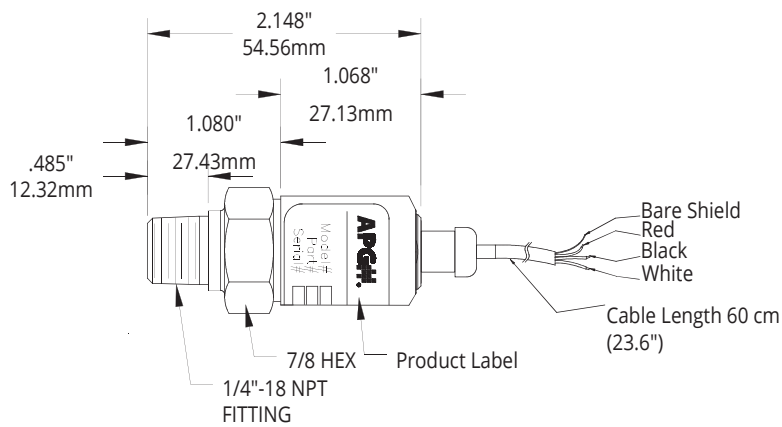
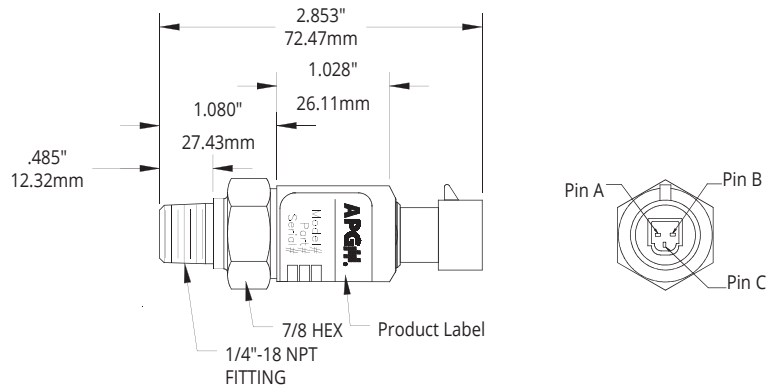
PT-200 4-20 mA System Wiring



PT-200 Supply Power Table

	4-20 mA
Power Supply	9-32 VDC

## 6 Dimensions



## 7 General Care

Your pressure transmitter is very low maintenance and will need little care, as long as it was installed correctly. However, in general, you should:

- Keep the sensor and the area around it generally clean.
- Avoid applications for which the sensor was not designed, such as extreme temperatures, contact with incompatible corrosive chemicals, or other damaging environments.
- Inspect the threads whenever you remove the sensor from duty or change its location.
- Avoid touching the diaphragm. Contact with the diaphragm, especially with a tool, could permanently shift the output and ruin accuracy.
- Cleaning the diaphragm or the diaphragm bore should be done with extreme care. If

**IMPORTANT:** Any contact with the diaphragm can permanently damage the sensor. Use extreme caution.

## 8 Repair Information

If your PT-200 pressure transmitter needs repair, contact us via email, phone, or on-line chat on our website. We will issue you an RMA number with instructions.

- Phone: 888-525-7300
- Email: sales@apggsensors.com
- Online chat at [www.apggsensors.com](http://www.apggsensors.com)

## 9 Removal Instructions

Removing your PT-200 from service must be done with care. It's easy to create an unsafe situation, or damage your sensor, if you are not careful to follow these guidelines:

- Make sure the pressure is completely removed from the line or vessel. Follow any and all procedures for safely isolating any media contained inside the line or vessel.
- Remove the sensor with an appropriately sized wrench (7/8" hex).
- Carefully clean the sensor's fitting and diaphragm of any debris (see General Care) and inspect for damage.
- Store your sensor in a dry place, at a temperature between -20 to 125°C (-4 to 257°F).

**DANGER:** Removing the pressure transmitter while there is still pressure in the line or vessel could result in injury or death.