



L1703

Luminaires
For Use In Hazardous Locations



Net Weight: 5.5 kg (12.1 lb)



Protection

- Class I, Division 2, Group A, B, C, D
- Class II, Division 2, Group F, G;
- Class III

Standards

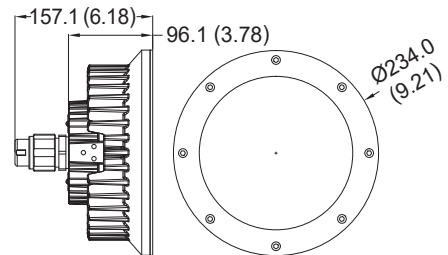
- UL 844
- UL 1598 Luminaires
- UL 8750
- CSA C22.2 No. 137-M1981
- CSA C22.2 No. 250.0
- CSA C22.2 No. 250.13

Light Features

- Applicable to high temperature environment
- IP67 rated for wet location
- Offers DOB and SMD light source option

Technical Data

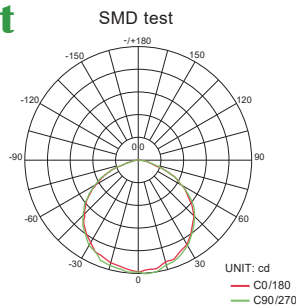
| | | | | | | | | | |
|----------------------|---|--------|--------|--------|---------|-------|--------|--------|--------|
| Rated Voltage (±10%) | 120V / 277V AC | | | | | | | | |
| Watts (±10%) | DOB: 60W / 80W / 90W / 100W, SMD: 65W / 75W / 95W | | | | | | | | |
| Amps | 60W 120V: 0.50A, 277V: 0.22A / 80W 120V: 0.67A, 277V: 0.29A 90W 120V: 0.75A, 277V: 0.32A / 100W 120V: 0.83A, 277V: 0.36A 65W 120V: 0.54A, 277V: 0.23A / 75W 120V: 0.63A, 277V: 0.27A 95W 120V: 0.79A, 277V: 0.34A | | | | | | | | |
| Color of LED Light | 3000K (Warm White) / 5000K (Cool White) | | | | | | | | |
| Ambient Temperature | CID2: -40°C ~ +40°C, T3C / CIID2: +40°C, T4A | | | | | | | | |
| Power Factor | cos ≥ 0.9 | | | | | | | | |
| CRI | Cool White ≥ 70 / Warm White ≥ 80 | | | | | | | | |
| Lumen (±10%) | DOB | 60W | 80W | 90W | 100W | SMD | 65W | 75W | 95W |
| | 3000K | 5700lm | 7600lm | 8550lm | 9500lm | 3000K | 6175lm | 7125lm | 9025lm |
| | 5000K | 6000lm | 8000lm | 9000lm | 10000lm | 5000K | 6500lm | 7500lm | 9500lm |
| Beam Angle | X-110° / Y-110° | | | | | | | | |
| Frequency | 50 / 60 Hz | | | | | | | | |
| Degree of Protection | IP67 / NEMA 6 | | | | | | | | |
| Material | <ul style="list-style-type: none"> • Enclosure • Glass Aluminum alloy Tempered glass | | | | | | | | |
| LED Service Life | 60,000 hrs | | | | | | | | |
| Entrance Thread | 1 × M25 | | | | | | | | |



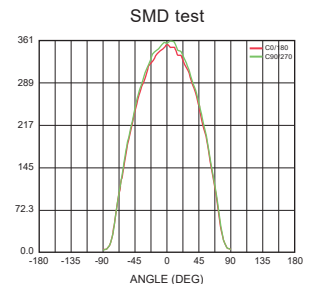
Dimension in Millimeters (inches)

Optical Report

Polar Luminous Intensity Distribution

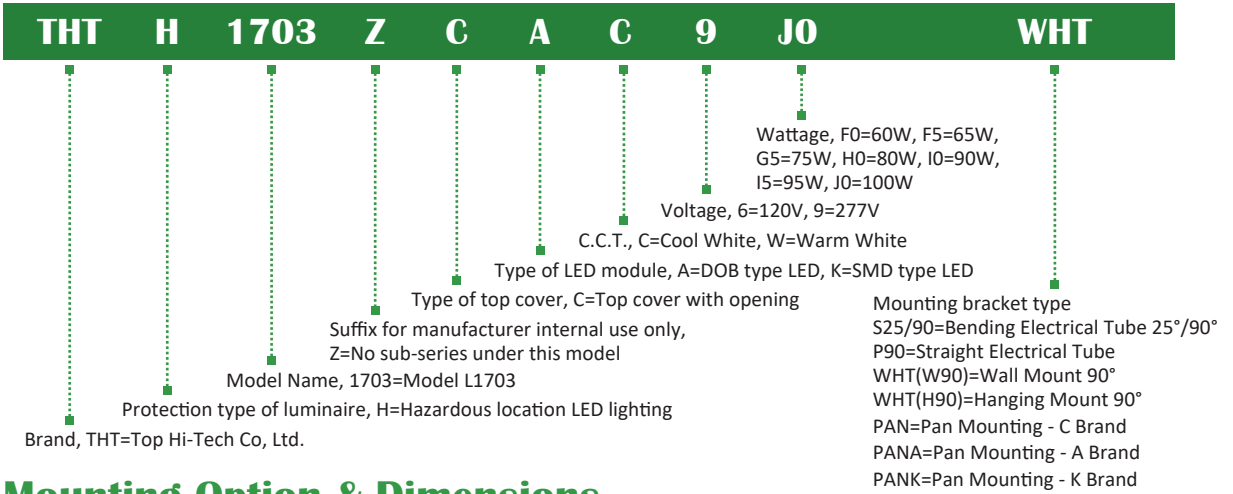


Luminous Intensity Distribution Diagram

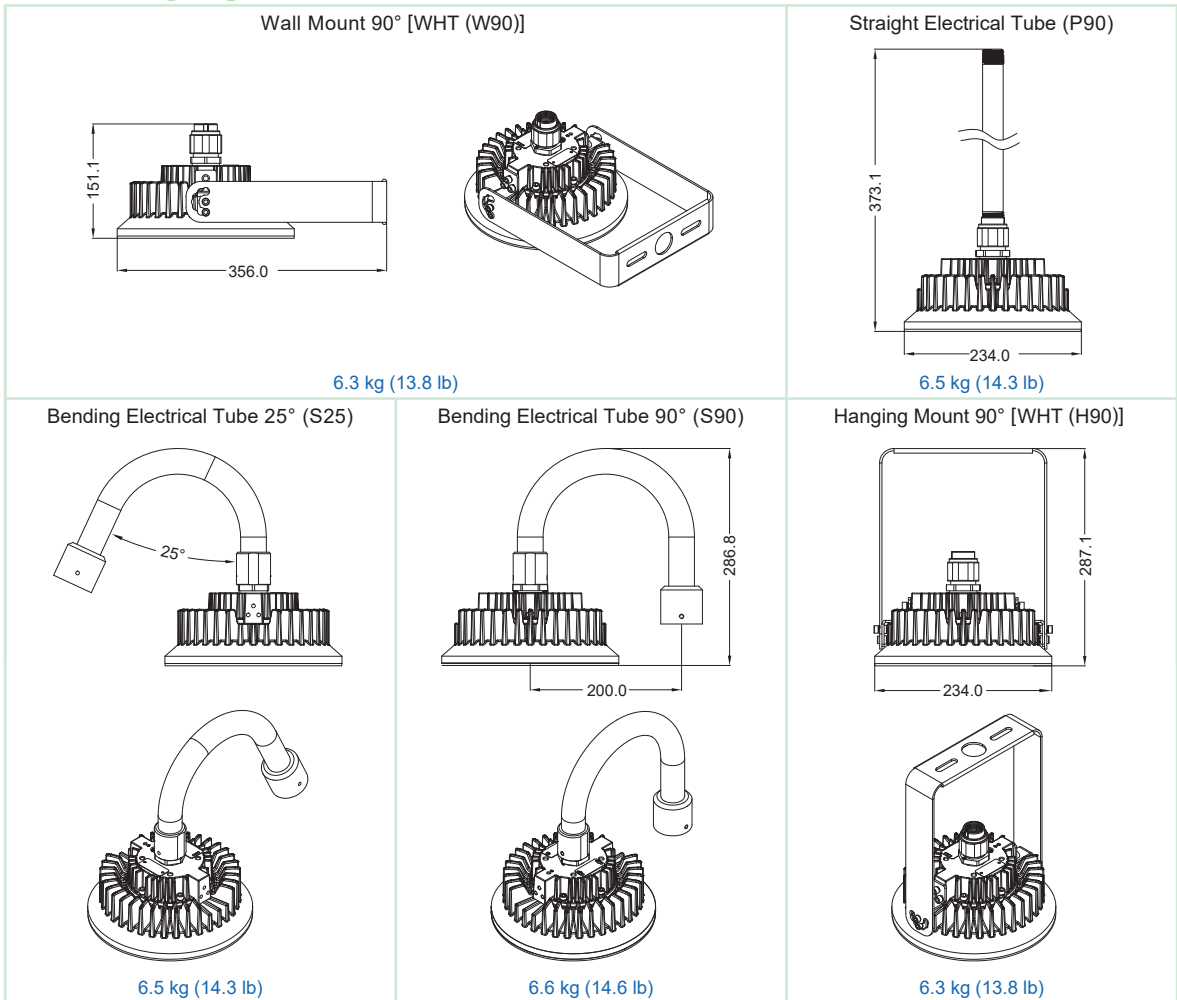


L1703

Model Code



Mounting Option & Dimensions (All in mm)



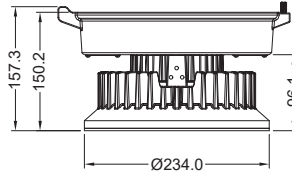
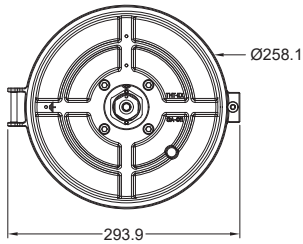
Applicable Area

- Oil Refinery Complex
- Painting Facility
- Transproting Liquefied
- Offshore Platform
- Petrochemical Complex
- Transporting Nature Gas
- Petroleum Gas
- (Oil and Natural Gas)

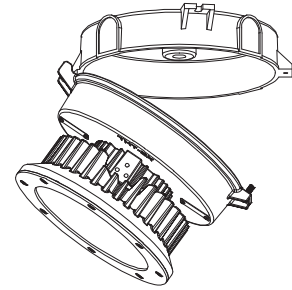
Pan Mounting Option & Dimensions (All in mm)

Retrofit Kit for C Brand

(PAN)



Installation Diagram

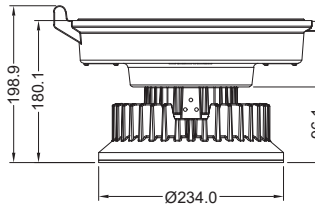
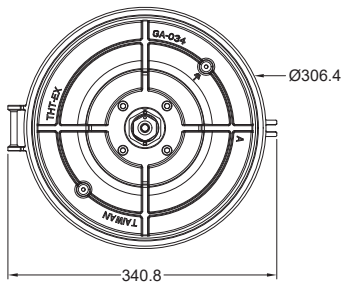


*Top hat is not included when placing order for retrofit pan.

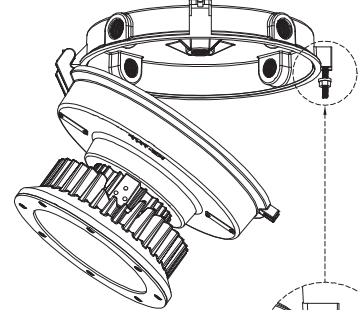
6.5 kg (14.3 lb)

Retrofit Kit for A Brand

(PANA)



Installation Diagram



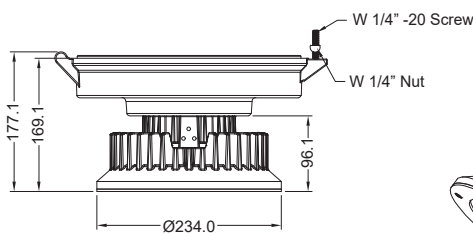
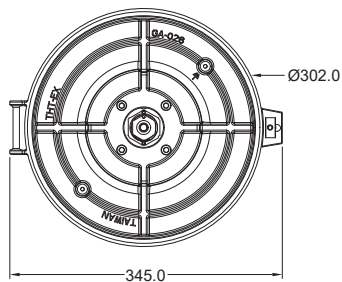
Screws and Nuts are not provided.

*Top hat is not included when placing order for retrofit pan.

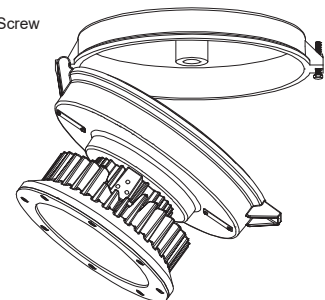
6.8 kg (15.0 lb)

Retrofit Kit for K Brand

(PANK)



Installation Diagram



*Top hat is not included when placing order for retrofit pan.

7.0 kg (15.4 lb)