

5510

## SHEAR BEAM LOAD CELL

Universal load cell combining sturdy design, high accuracy and low cost.

Model 5510 - 1,5 t



### Features

- Stainless steel
- Protection IP 67
- Cost effective solution
- Sturdy design
- Complies with OIML/R60 up to 3000 d for scales in class III according to EN 45 501
- Mounting kits available with following properties:
  - o stabilization without tension rods
  - o compensation of thermal dilatations and of default of parallelism
- Cable length: 8m
- Options:
  - o ATEX intrinsic safety Ex II 1GD Ex ia IIC T6 or T4 Ga Ex ia IIIC T80 C Da
  - o amplified output (V or mA) and digital output signal (RS-232C, RS-485, USB)

### Applications

The SENSY's load cell 5510 is perfectly designed to the following applications :

- Low profile scales, pallet, platform scales
- Packaging, batching and filling machines
- Reactors, tanks, vessel or hoppers weighing

### Capacities

5510 : 0.5 - (0.75) - 1 - 1.5 - 2 t

Specifications	A3	C 1	0.03	C 3	
Accuracy class	3000 d *	1000 d OIML	0.03% F.S.	3000 d OIML	-
Combined error	< ± 0.03	< ± 0.05	< ± 0.03	< ± 0.02	% F.S.
Linearity error	< ± 0.025	< ± 0.03	< ± 0.025	< ± 0.02	% F.S.
Repeatability error	< ± 0.015	< ± 0.02	< ± 0.015	< ± 0.01	% F.S.
Creep error over 30 min.	< ± 0.03	< ± 0.04	< ± 0.025	< ± 0.02	% F.S.
Zero shift after loading	< ± 0.0075	< ± 0.01	< ± 0.0075	< ± 0.005	% F.S.
Reference temperature	23	23	23	23	C
Nominal temperature range	-10...+45	-10...+45	-10...+45	-10...+45	C
Service temperature range	-30...+70	-30...+70	-30...+70	-30...+70	C
Storage temperature range	-50...+85	-50...+85	-50...+85	-50...+85	C
Temperature coefficient of the sensitivity	< ± 0.1	< ± 0.02	< ± 0.015	< ± 0.009	% F.S./10 C
Temperature coefficient of zero signal	< ± 0.05	< ± 0.03	< ± 0.023	< ± 0.013	% F.S./10 C
Zero balance	± 0.02	± 0.02	± 0.02	± 0.02	mV/V
Sensitivity tolerance	< ± 0.2	< ± 0.3	< ± 0.2	< ± 0.1	%
Input resistance	352 ± 2	352 ± 2	352 ± 2	352 ± 2	Ohm
Output resistance	352 ± 2	352 ± 2	352 ± 2	352 ± 2	Ohm
Insulation resistance (50V)	> 5000	> 5000	> 5000	> 5000	Megaohm
Reference excitation voltage	10	10	10	10	VDC
Nominal range of excitation voltage	3..12	3..12	3..12	3..12	VDC
Nominal sensitivity	2	2	2	2	mV/V
Safe load limit	150	150	150	150	% F.S.
Breaking load	> 300	> 300	> 300	> 300	% F.S.
Static lateral force limit	100	100	100	100	% F.S.
Permissible dynamic loading	50	50	50	50	% F.S.

F.S.: full scale - Specifications subject to change without notice

# LOAD CELLS

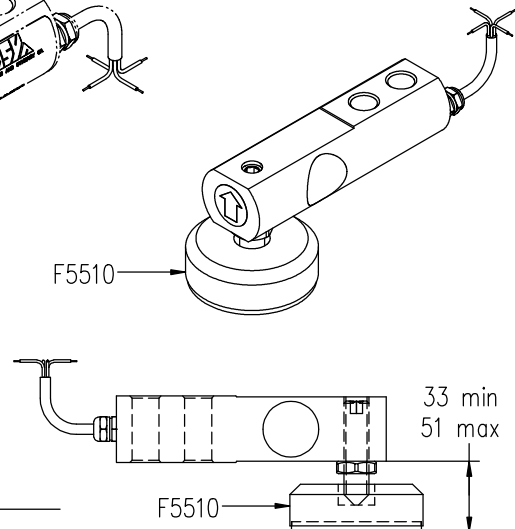
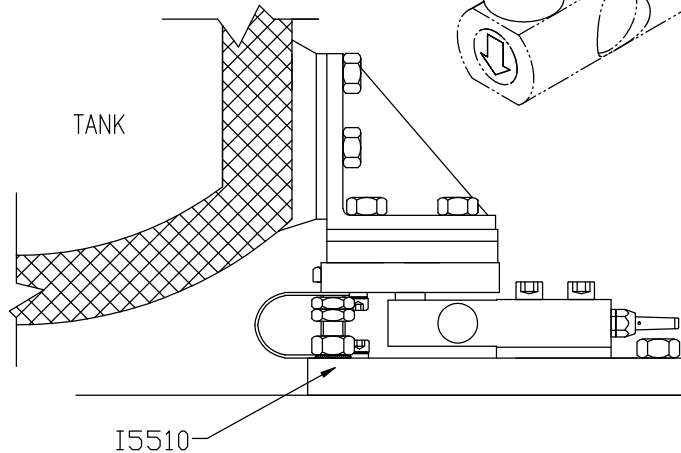
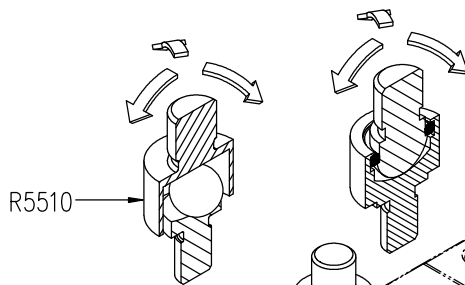
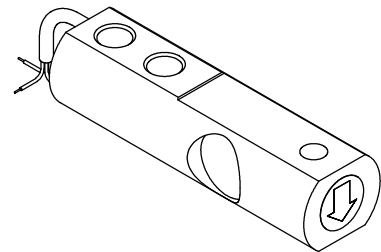
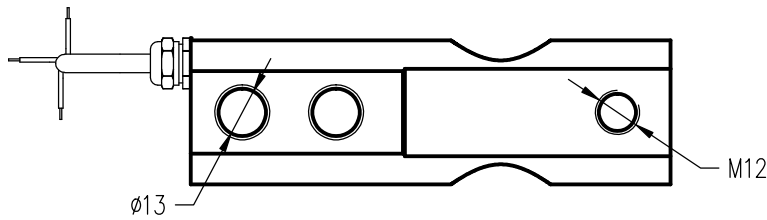
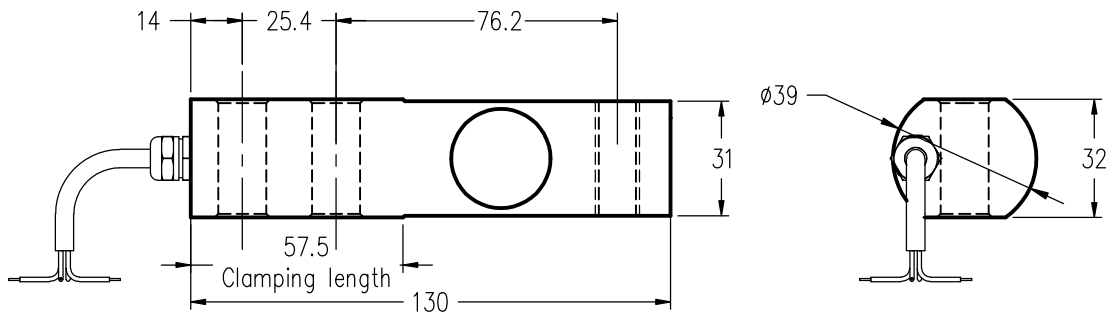
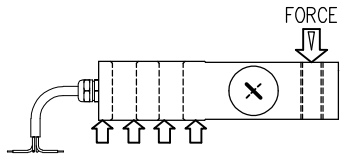
model 5510 stainless steel

## SHEAR BEAM

Range 0.5 – 2 t. IP67

Cable length : 8 m

Max.Deflexion	Weight
0.15–0.27 mm	0.95 kg





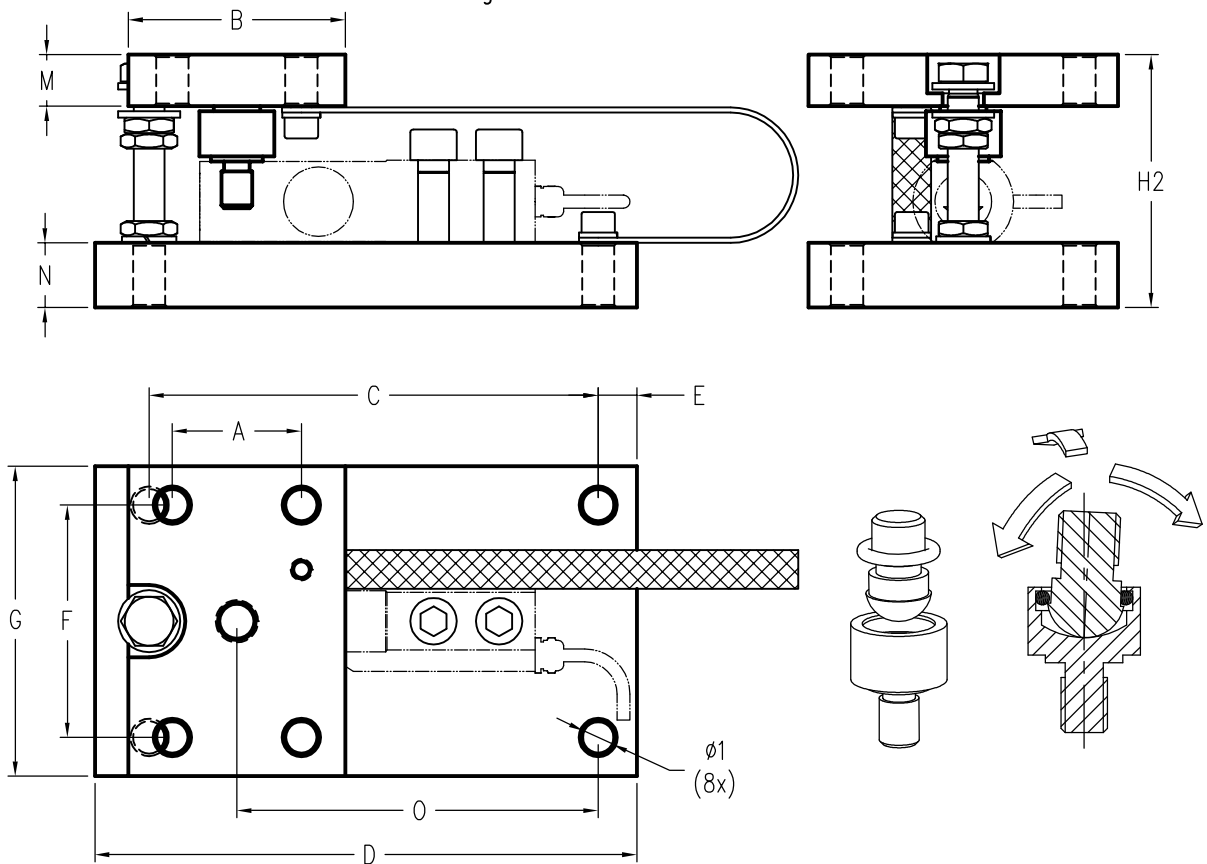
## ACCESSORIES

model I5510 stainless steel

model I5515 coated steel

### EASY MOUNT MODEL 5510

Range 0.5 - 2 t.



MODEL	CAPACITIES	A	B	C	D	E	F	G	M	N	O	φ1	H2	Weight
I5510-I5515	0.5 - 2 t.	50	84	174	210	15	90	120	20	25	140	12.5	98	±6.76 kg

