

## VEGADIF 65

4 ... 20 mA

### Differential pressure transmitter with metallic measuring diaphragm



#### Application area

The VEGADIF 65 differential pressure transmitter is used universally for measurement of liquids, gases and vapours. Typical applications are level measurements in pressurized vessels as well as flow measurements in combination with DP flow elements. Further applications are pressure monitoring on filters as well as density and interface measurements.

#### Your benefit

- Measurement of extremely small differential pressures through high precision measured value detection
- High reliability through integrated overload diaphragm
- Versatile use through a variety of measuring ranges and process fittings

#### Function

The sensor diaphragms are deflected by the acting pressures. The filling oil transmits the pressure to a semiconductor measuring bridge. The output signal, which is dependent on the differential pressure, is measured and further processed.

#### Technical data

Measuring ranges	+0.01 ... +40 bar/+1 ... +4000 kPa (+0.145 ... +580.2 psig)
Smallest adjustable span	0.25 mbar/25 Pa (0.036 psig)
Deviation in characteristics	0.15 %; 0.075 %
Process fitting - basic version	¼-18 NPT according to IEC 61518
Process fitting with chemical seals	Flanges from DN 32 or 2", hygienic fittings from DN 32 or 2"
Process temperature - basic version	-40 ... +120 °C (-40 ... +248 °F)
Process temperature with chemical seals	-40 ... +400 °C (-40 ... +752 °F)
Process pressure	-1 ... +420 bar/-100 ... +42000 kPa (-14.5 ... +6092 psig)
Ambient, storage and transport temperature	-40 ... +80 °C (-40 ... +176 °F)
Operating voltage	12 ... 36 V DC

#### Materials

The process fitting is made of steel C22.8 (1.0460), Alloy or stainless steel 316L. The process diaphragm is available in 316L and high resistance materials Alloy C276 (2.4819), Alloy 400 (2.4360), Tantalum as well as Rhodium/Gold on 316L. You will find a complete overview of the available materials and seals in the "Configurator" at [www.vega.com](http://www.vega.com) and "VEGA Tools".

#### Housing versions

The housings are available as single chamber or double chamber version in plastic, stainless steel or aluminium. They are available in protection ratings up to IP 68 (25 bar) with external electronics.

#### Electronics versions

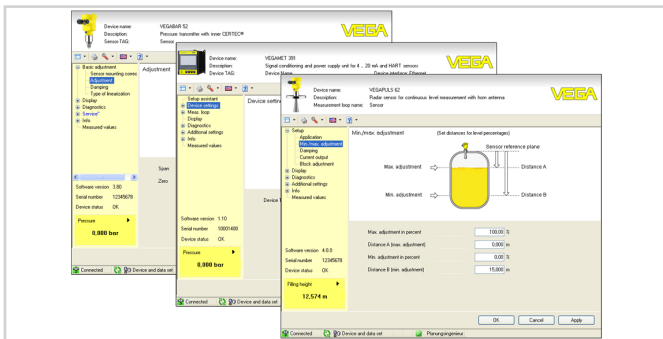
The instruments are available in different electronics versions. Apart from the two-wire electronics with 4 ... 20 mA or 4 ... 20 mA/HART, two purely digital versions with Profibus PA and Foundation Fieldbus are available.

#### Approvals

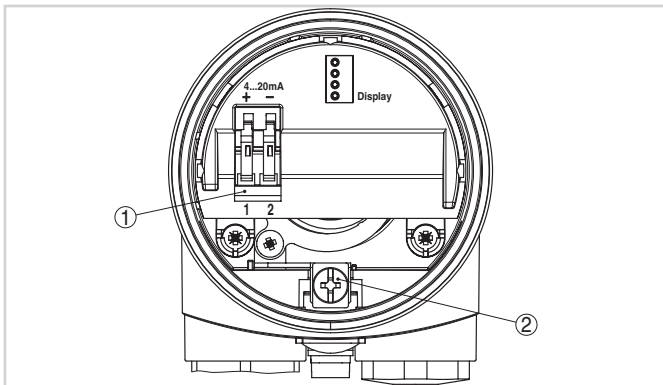
The instruments are suitable for use in hazardous areas and are approved, for example, according to ATEX and IEC. You can find detailed information on the existing approvals in the "configurator" on our homepage at [www.vega.com/configurator](http://www.vega.com/configurator).

## Operation

The adjustment of the instrument is carried out via the optional display and adjustment module PLICSCOM or via a PC with the adjustment software PACTware and corresponding DTM.



## Electrical connection

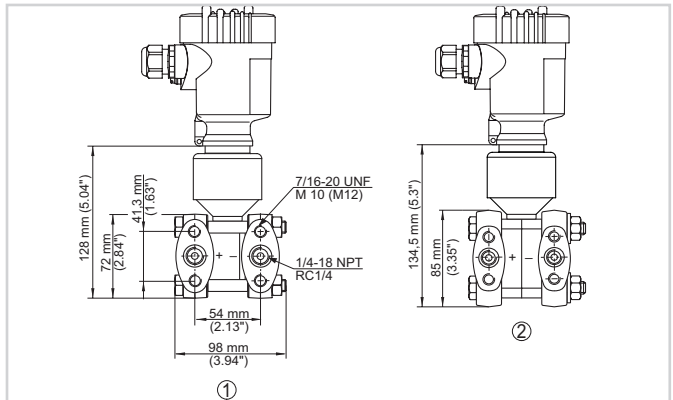


Electronics and terminal compartment, single chamber housing

- 1 Spring-loaded terminals for voltage supply
- 2 Ground terminal for connection of the cable screen

You can find details on electrical connection in the instrument operating instructions on our homepage at [www.vega.com/downloads](http://www.vega.com/downloads).

## Dimensions



Dimensions VEGADIF 65

- 1 Version with measuring range from 100 mbar ... 40 bar
- 2 Version with measuring range from 10 mbar ... 30 bar

## Information

You can find further information about the VEGA product line on [www.vega.com](http://www.vega.com). In the download section at [www.vega.com/downloads](http://www.vega.com/downloads) you'll find operating instructions, product information, brochures, approval documents, instrument drawings and much, much more. There, you will also find GSD and EDD files for Profibus PA systems as well as DD and CFF files for Foundation Fieldbus systems.

## Instrument selection

With the "Finder" at [www.vega.com/finder](http://www.vega.com/finder) and "VEGA Tools" you can select the most suitable measuring principle for your application. You can find detailed information on the instrument versions in the "Configurator" at [www.vega.com/configurator](http://www.vega.com/configurator) and "VEGA Tools".

## Contact

You can find the VEGA agency serving your area on our homepage [www.vega.com](http://www.vega.com).