

4500

SHEAR BEAM LOAD CELL

Load cell for silo weighing combining a sturdy design with an easy installation.

Model 4500 - 5 t



Features

- Stainless steel
- Protection IP 67
- Cost effective solution
- Sturdy design
- Easy to install
- Cable length: See drawing's table (CL)
- Mounting kits available with following properties:
 - o stabilization without tension rods
 - o anti-liftoff device
 - o compensation of thermal dilatations and default of parallelism
- Option:
 - o ATEX intrinsic safety Ex II 1GD Ex ia IIC T6 or T4 Ga Ex ia IIIC T80 C Da

Applications

The SENSY's load cell 4500 is perfectly designed to the following applications :

- Silos and tanks weighing
- Reactors or hoppers weighing
- Mixers (vibrating)

Capacities

4500 : (0.5)- (0.75) - 1 - (1.5) - 2 - 3 - 5 - 7.5 - 10 - 15 - 20 - 30 - 50 t

Specifications	0.1	
Accuracy class	0.1% F.S.	-
Combined error	< ± 0.1	% F.S.
Linearity error	< ± 0.1	% F.S.
Repeatability error	< ± 0.03	% F.S.
Creep error over 30 min.	< ± 0.06	% F.S.
Zero shift after loading	< ± 0.015	% F.S.
Reference temperature	23	C
Nominal temperature range	-10...+45	C
Service temperature range	-30...+70	C
Storage temperature range	-50...+85	C
Temperature coefficient of the sensitivity	< ± 0.05	% F.S./10 C
Temperature coefficient of zero signal	< ± 0.035	% F.S./10 C
Zero balance	± 0.02	mV/V
Sensitivity tolerance	< ± 0.3	%
Input resistance	352 ± 2	Ohm
Output resistance	352 ± 2	Ohm
Insulation resistance (50V)	> 5000	Megaohm
Reference excitation voltage	10	VDC
Nominal range of excitation voltage	3..12	VDC
Nominal sensitivity	2	mV/V
Safe load limit	150	% F.S.
Breaking load	> 300	% F.S.
Static lateral force limit	100	% F.S.
Permissible dynamic loading	50	% F.S.

F.S.: full scale - Specifications subject to change without notice

LOAD CELLS

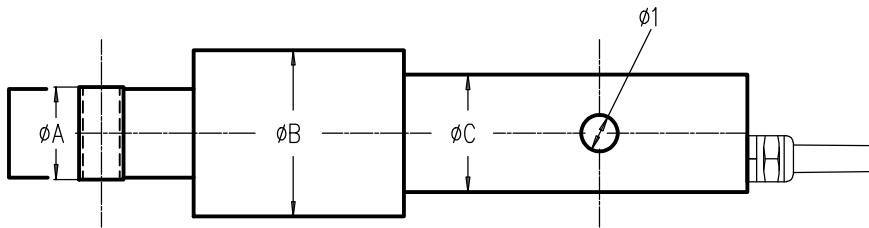
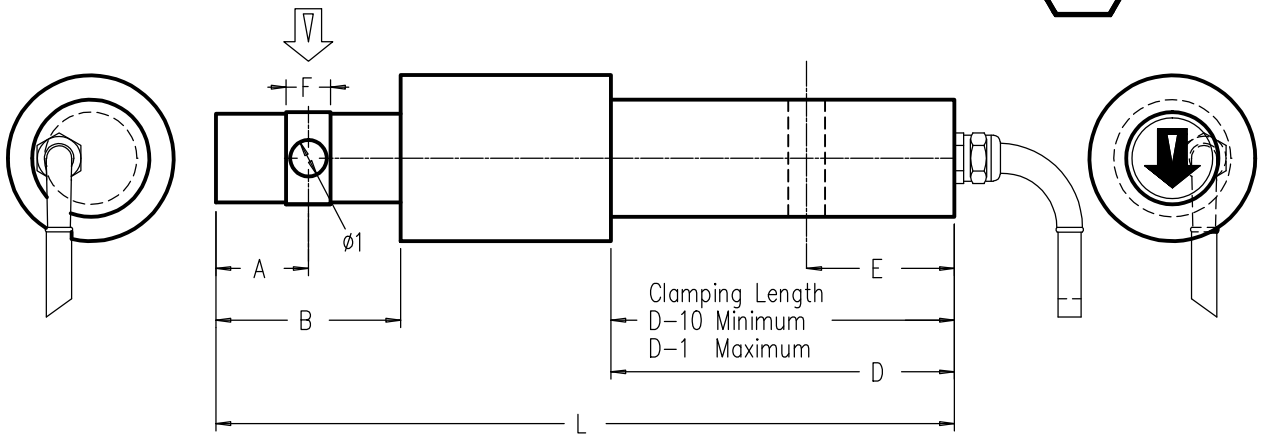
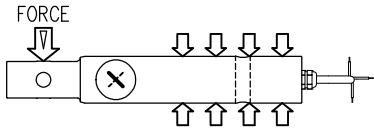
model 4500 stainless steel



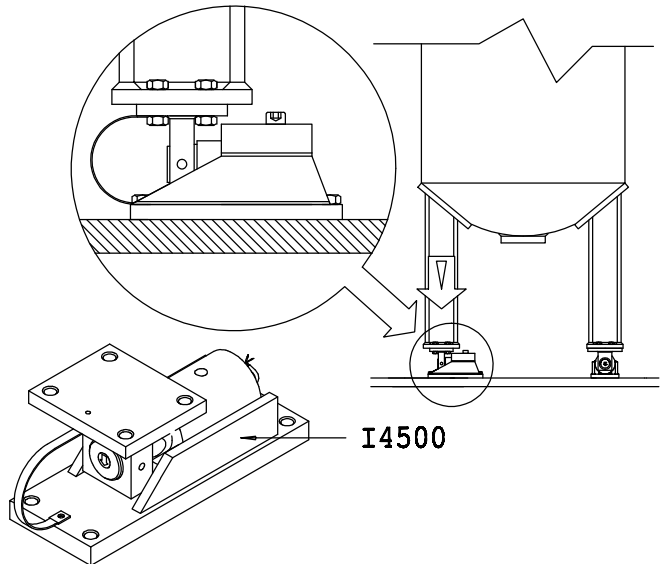
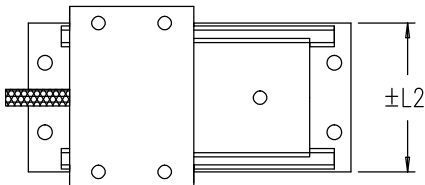
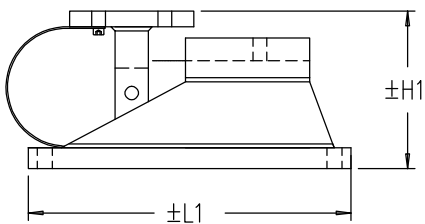
EASY MOUNTING SHEAR-BEAM

Range 0.5-50 t. IP67

Cable length : see table (CL)



CAPACITIES	A	B	D	E	F	L	Ø1	ØA	ØB (MAX)	ØC	CL	H1	L1	L2	Weight					
0.5 - 3 t.	25	50	93	40	8	200	10	25 ±0.1	40	31.75 ±0.1	6 m	125	285	120	1.48 kg.					
5 - 7.5 t.					12			49 -0.15		3 kg.										
10 - 15 t.			24	105	20			24	16	60 -0.15					62 -0.15	12 m	174	405	150	3.4 kg.
20 t.																				4.3 kg.
30t.																				8 kg.
50t.	30	60	180	70	40	280	20	88 -0.20	20 m	±230	±500	240	13 kg.							

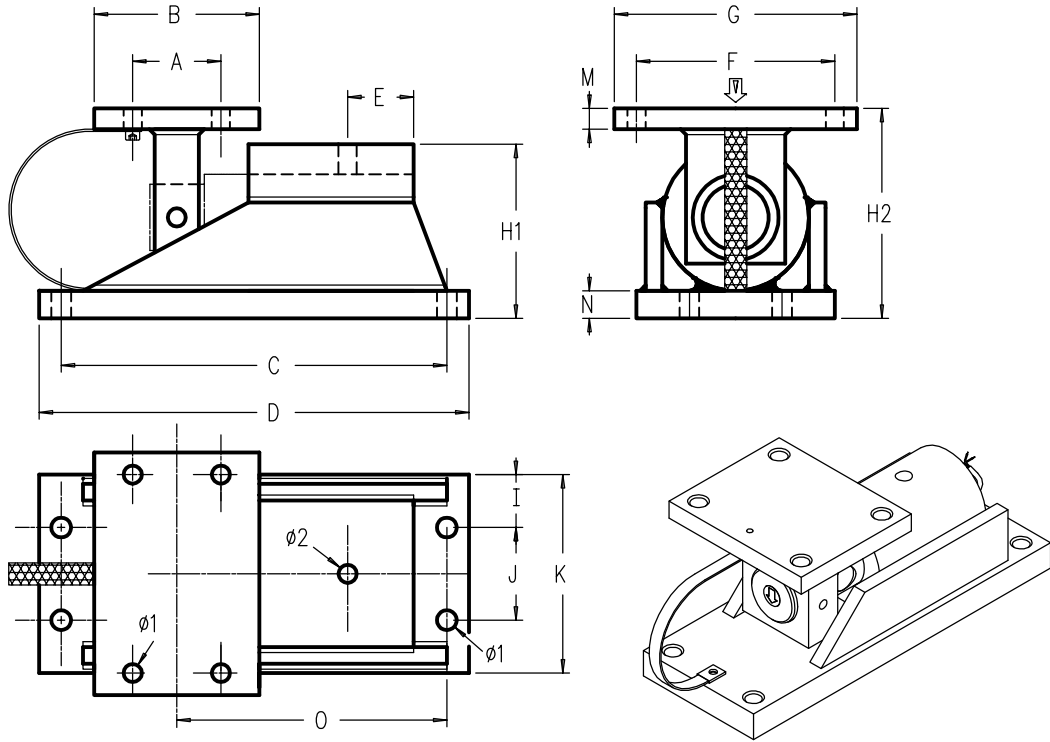


ACCESSORIES

model I4500 stainless steel
 model I4505 coated steel

EASY MOUNT MODEL 4500

Range 0.5 – 30 t



MODEL	CAPACITIES	A	B	C	D	E	F	G	I	J	K	M	N	O	φ1	φ2	H1	H2	Weight (kg.)
I4500	0.5 – 3 t.	60	90	255	285	40	90	120	15	90	120	15	20	200	12.5	10.5	100	125	10.6 (I4505 Ni plated)
	5 – 7.5 t.																		11.2 (I4505 Ni plated)
I4505	10 – 20 t.	110	150	365	405	60	140	180	20	110	150	20	30	260	17	16.5	134	174	23.5 (I4505 painted)
	30 t.			407	450		157	200	21.5	157	200	30		273.5	21.5		160	206.5	48 (I4505 painted)

