

2/2 WAY LATCHING SOLENOID VALVE (PILOT OPERATED), G 1/4" ÷ G 1/2"

TECHNICAL SPECIFICATIONS

Media: water, oil, air

Media temperature: -10°C ÷ +90°C

Ambient temperature: -10°C ÷ +50°C

Body material: brass (CW617N EN 12165)

Operator material: stainless steel tube, brass plunger

Operator seal and diaphragm material: NBR

Coil power: DC 3w

Absorption (20°C): 500mA for **20Q0**

250mA for **21Q0**

125mA for **22Q0**

Protection class: IP 65 (with connector and gasket)

OPTIONS

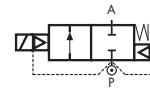
FKM seal, temperature max. 130°C (e.g. code LC205DVZ)

EPDM seal, temperature max. 120°C (e.g. code LC203DEZ)

NOTES

Special operator with reduced stroke for low power coils

TYPE: LC203÷LC205



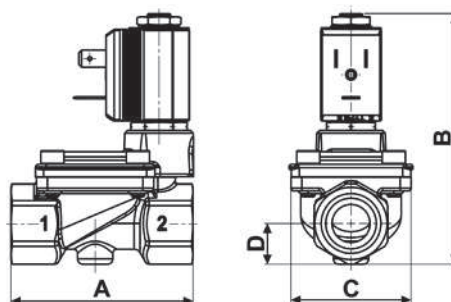
Normally Closed



SELECTION TABLE

VALVE	nominal Ø	flow rate Kvs	OPD			COILS low power only	
			min.	max. AC	max. DC	code	[Volts/Hz]
code	[mm]	[l/min]	[barg]	[barg]	[barg]	code	[Volts/Hz]
LC203DBZ	13	26	0.3	—	5	20Q0	6v DC
LC204DBZ	13	55	0.3	—	5	21Q0	12v DC
LC205DBZ	13	63	0.3	—	5	22Q0	24v DC

DIMENSIONS & WEIGHTS		LC203	LC204	LC205
G connection	[ISO 228]	1/4"	3/8"	1/2"
A	[mm]	67	67	67
B	[mm]	90	90	90
C	[mm]	45.6	45.6	45.6
D	[mm]	15	15	15
weight	[kg]	0.4	0.4	0.4



Flow direction overseat 1 → 2