



Triac Series 55 Ball Valves feature a high quality investment cast body and ends. They are available 1/4"– 4" with threaded, socket weld and butt weld ends. Superior leak protection is accomplished by using a live-loaded packing system including Belleville washers and double "V" ring packing.

| VALVE SIZE | VALVE Cv |
|------------|----------|
| 1/4" | 7 |
| 3/8" | 8 |
| 1/2" | 15 |
| 3/4" | 40 |
| 1" | 70 |
| 1-1/4" | 110 |
| 1-1/2" | 250 |
| 2" | 400 |
| 2-1/2" | 600 |
| 3" | 1100 |
| 4" | 2000 |

Easy to Automate!

See automated data sheets for pre-sized assemblies



Pneumatic



Electric



Series 55 3-Piece Design

Sizes 1/4" - 4"

Full Port Design

Pressure Rating by size

1000 psi (1/4"-1 1/2")

800 psi (2"-2 1/2")

600 psi (3"-4")

Economical 3-pc design

Available in 316SST or WCB

Threaded, Socket Weld, or Butt
Weld Ends

Live Loaded Packing System

ISO 5211 Actuator Mounting Pad

Blowout Proof Stem

RTFE Seats Standard

Lockable Manual Handle

STANDARDS

| | |
|---------------------------|------------------------------|
| Design | ASME B16.34 (fully conforms) |
| End Connections | ASME B1.20.1, B16.11 |
| Pressure Testing | API 598 |
| Mounting | ISO 5211 |
| Marking System for Valves | MSS SP-25 |
| Material Certification | EN 10204-3.1 MTR |
| Quality Assurance | ISO 9001:2015 |

HOW TO ORDER MANUAL VALVES

SAMPLE PART #

55C-TH-0300-XXX



See part number matrix for itemized options

SERIES 55 3-Piece Design



9955 International Blvd.
Cincinnati, Ohio 45246
www.atcontrols.com

PHONE (513) 247-5465
FAX (513) 247-5462
sales@atcontrols.com

Series 55

Economical Full Port 3-Piece Ball Valve

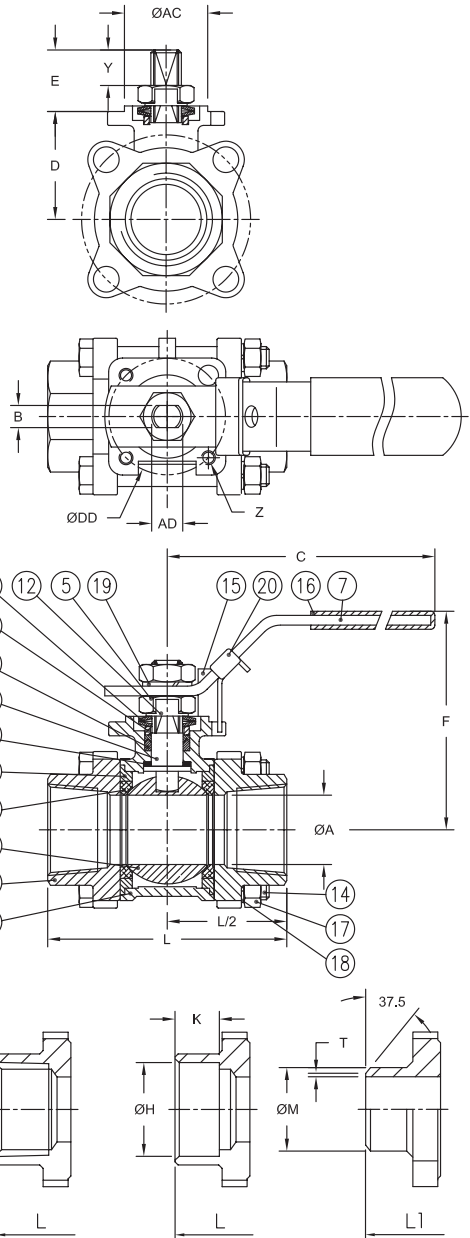
ISO 5211 Mounting Pad 600-1000 psi (by size) 1/4" to 4"

MATERIALS LIST

| NO. | PART NAME | QTY. | STAINLESS STEEL | CARBON STEEL | REPAIR KIT |
|-----|-------------------|------|--------------------------------|--------------------------------|------------|
| 1 | BODY | 1 | ASTM A351 GRADE CF8M | ASTM A216 GRADE WCB | |
| 2 | END CAP | 2 | ASTM A351 GRADE CF8M | ASTM A216 GRADE WCB | |
| 3 | BALL | 1 | 1/4" THRU 3/8" ASTM A276 SS316 | 1/4" THRU 3/8" ASTM A276 SS316 | |
| 3 | BALL | 1 | 1/2" THRU 4" ASTM A351 GR CF8M | 1/2" THRU 4" ASTM A351 GR CF8M | |
| 4 | STEM | 1 | ASTM A276 SS316 | ASTM A276 SS316 | |
| 5 | STEM NUT | 2 | AISI 304 | AISI 304 | |
| 6 | BELLEVILLE WASHER | 2 | AISI 301 | AISI 301 | |
| 7 | HANDLE | 1 | AISI 304 | AISI 304 | |
| 8 | SEAT | 2 | RTFE | RTFE | ✓ |
| 9 | GLAND BUSHING | 1 | AISI 304 | AISI 304 | |
| 10 | GLAND PACKING | 1 ^ | PTFE | PTFE | ✓ |
| 11 | THRUST WASHER | 1 | RTFE | RTFE | ✓ |
| 12 | LOCK SADDLE | 1 | AISI 304 | AISI 304 | |
| 13 | JOINT GASKET | 2 | PTFE | PTFE | ✓ |
| 14 | BODY BOLT/STUD | * | ASTM A193 GRADE B8 | ** | |
| 15 | STOP BOLT | 1 | AISI 304 | AISI 304 | |
| 16 | HANDLE SLEEVE | 1 | VINYL | VINYL | |
| 17 | BODY NUT | # | ASTM A194 GRADE 8 | ## | |
| 18 | LOCK WASHER | # | AISI 304 | AISI 304 | |
| 19 | STEM WASHER | 1 | AISI 304 | AISI 304 | |
| 20 | HANDLE LOCK | 1 | AISI 304 | AISI 304 | |

^ PACKING SET
 * 1/4" THRU 3" QTY = 4 PCS
 * 4" QTY = 6 PCS
 # 1/4" THRU 2" QTY = 4 PCS
 #2-1/2" THRU 3" QTY = 8 PCS
 # 4" QTY = 12 PCS

** 1/4" THRU 1-1/2" ASTM A193 GRADE B8
 ** 2" THRU 4" ASTM A193 GRADE B7
 ## 1/4" THRU 1-1/2" ASTM A194 GRADE 8
 ## 2" THRU 4" ASTM A194 GRADE 2H



DIMENSIONS (IN)

| SIZE | A | B | C | D | E | F | H | K | L | L1 | M | T | Y | Z | AC | AD | DD | ISO 5211 | LBS |
|--------|------|-------|-------|------|------|------|------|------|------|------|------|------|------|-----|------|-------|-------|----------|------|
| 1/4" | 0.46 | 0.256 | 5.12 | 1.15 | 0.78 | 2.95 | 0.56 | 0.39 | 2.51 | 2.47 | 0.64 | 0.06 | 0.29 | M5 | 0.98 | 0.374 | 1.417 | F03 | 1.4 |
| 3/8" | 0.50 | 0.256 | 5.12 | 1.15 | 0.78 | 2.95 | 0.69 | 0.39 | 2.51 | 2.47 | 0.69 | 0.06 | 0.29 | M5 | 0.98 | 0.374 | 1.417 | F03 | 1.4 |
| 1/2" | 0.59 | 0.256 | 5.12 | 1.15 | 0.71 | 2.95 | 0.86 | 0.39 | 2.59 | 2.59 | 0.89 | 0.06 | 0.25 | M5 | 0.98 | 0.374 | 1.417 | F03 | 1.4 |
| 3/4" | 0.79 | 0.256 | 5.12 | 1.28 | 0.80 | 3.03 | 1.07 | 0.51 | 3.00 | 3.00 | 1.08 | 0.06 | 0.32 | M5 | 0.98 | 0.374 | 1.417 | F03 | 1.7 |
| 1" | 0.98 | 0.315 | 6.30 | 1.53 | 0.81 | 3.35 | 1.33 | 0.51 | 3.39 | 3.39 | 1.34 | 0.06 | 0.48 | M5 | 1.18 | 0.433 | 1.654 | F04 | 2.4 |
| 1-1/4" | 1.26 | 0.315 | 6.30 | 1.59 | 0.98 | 3.62 | 1.69 | 0.51 | 4.05 | 4.05 | 1.68 | 0.06 | 0.45 | M5 | 1.18 | 0.433 | 1.654 | F04 | 3.7 |
| 1-1/2" | 1.50 | 0.382 | 7.28 | 1.82 | 1.22 | 4.02 | 1.93 | 0.51 | 4.70 | 4.70 | 1.91 | 0.06 | 0.54 | M6 | 1.38 | 0.551 | 1.969 | F05 | 5.5 |
| 2" | 1.97 | 0.382 | 7.28 | 2.15 | 1.22 | 4.33 | 2.41 | 0.63 | 5.17 | 5.17 | 2.38 | 0.06 | 0.54 | M6 | 1.38 | 0.551 | 1.969 | F05 | 8.0 |
| 2-1/2" | 2.56 | 0.472 | 10.24 | 2.81 | 1.68 | 5.91 | 2.91 | 0.63 | 6.46 | 6.46 | 3.00 | 0.08 | 0.91 | M8 | 2.17 | 0.748 | 2.756 | F07 | 16.2 |
| 3" | 3.15 | 0.472 | 10.24 | 3.33 | 1.55 | 6.38 | 3.54 | 0.63 | 7.19 | 7.19 | 3.54 | 0.08 | 0.74 | M10 | 2.76 | 0.748 | 4.016 | F10 | 23.5 |
| 4" | 3.94 | 0.591 | 11.42 | 4.19 | 2.06 | 7.48 | 4.55 | 0.79 | 9.28 | 9.30 | 4.57 | 0.14 | 1.35 | M10 | 2.76 | 0.945 | 4.016 | F10 | 43.7 |

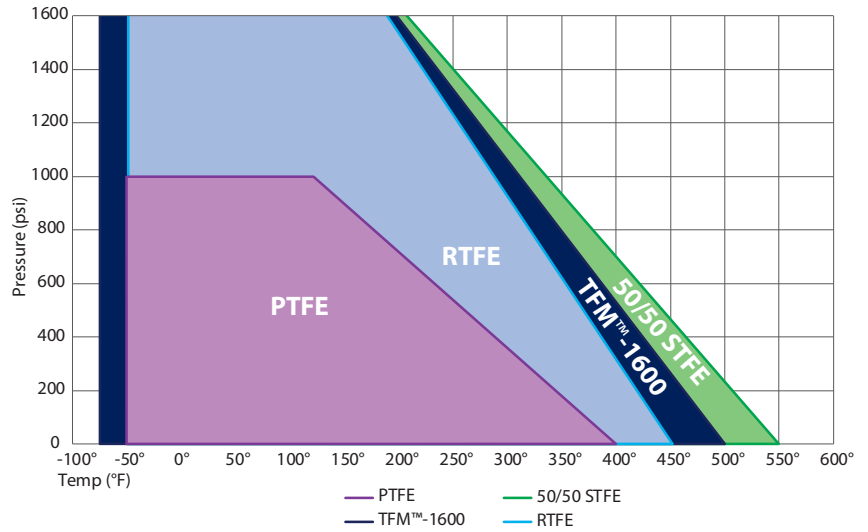
**Economical
Full Port
3-Piece Ball Valve**

**ISO 5211 Mounting Pad
600-1000 psi (by size)
1/4" to 4"**

Series 55

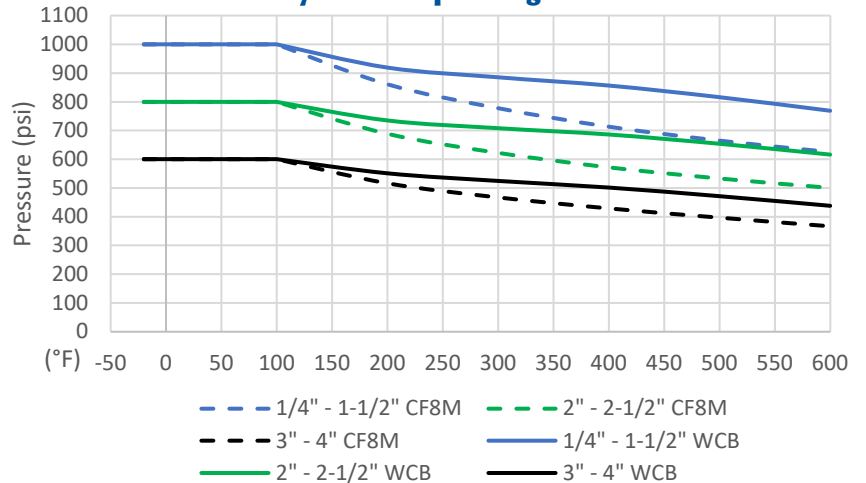
| Temp | Pressure - Seat Material | | | |
|------|--------------------------|------|------|----------|
| | RTFE | STFE | PTFE | TFM-1600 |
| -75° | | | | 2000 |
| -50° | 2000 | 2000 | 1000 | 2000 |
| 100° | 2000 | 2000 | 1000 | 2000 |
| 122° | 2000 | 2000 | 1000 | 2000 |
| 150° | 1829 | 1869 | 899 | 1852 |
| 200° | 1524 | 1636 | 719 | 1587 |
| 250° | 1220 | 1402 | 540 | 1323 |
| 300° | 915 | 1168 | 360 | 1058 |
| 350° | 610 | 935 | 180 | 794 |
| 400° | 305 | 701 | 0 | 529 |
| 450° | 0 | 467 | | 265 |
| 500° | | 234 | | 0 |
| 550° | | 0 | | |

**PRESSURE VS. TEMPERATURE | SERIES 55
Seat Pressure Ratings**



| SERIES 55/55C PRESSURE CLASS ASME B16.34-2017 | | | |
|--|-----------|------------|-----------------------|
| SIZE | SERIES 55 | SERIES 55C | PRESSURE RATING (psi) |
| 1/4" | 416 | 405 | 1000 |
| 3/8" | 416 | 405 | 1000 |
| 1/2" | 416 | 405 | 1000 |
| 3/4" | 416 | 405 | 1000 |
| 1" | 416 | 405 | 1000 |
| 1-1/4" | 416 | 405 | 1000 |
| 1-1/2" | 416 | 405 | 1000 |
| 2" | 333 | 324 | 800 |
| 2-1/2" | 333 | 324 | 800 |
| 3" | 260 | 254 | 600 |
| 4" | 260 | 254 | 600 |

**PRESSURE VS. TEMPERATURE | SERIES 55
Body & End Cap Ratings B16.34-2017**



| Component Temperature Ratings | | |
|--|------------|----------------|
| Component | Material | Temperature |
| Stem Packing | PTFE | -50°F to 400°F |
| Stem Seal | RTFE | -50°F to 450°F |
| Gaskets | PTFE | -50°F to 400°F |
| Seats (Other Materials Available) | PTFE | -50°F to 400°F |
| | RTFE | -50°F to 450°F |
| | TFM™-1600 | -75°F to 500°F |
| | 50/50 STFE | -50°F to 550°F |

NOTE: At temperature, valves are limited by either the valve body/ end cap pressure ratings, seat pressure ratings, or packing/stem seal/gaskets; whichever is lower.

**Break Away Torque
for RTFE Seats**

| SIZE | IN-LBS. |
|--------|---------|
| 1/4" | 37 |
| 3/8" | 37 |
| 1/2" | 37 |
| 3/4" | 54 |
| 1" | 90 |
| 1-1/4" | 117 |
| 1-1/2" | 174 |
| 2" | 296 |
| 2-1/2" | 612 |
| 3" | 679 |
| 4" | 1500 |

Published torques are based on full differential pressure with clean water. Consult the Application Sizing Guide for assistance with sizing actuators.

Pneumatic Double Acting Automated Ball Valve Package

Series 55
3-Piece Ball Valve

Sizes 1/4" - 4"

Full Port Design

Available in 316SST or WCB

TH, SW, or BW Ends

600 - 1000 psi (by size)

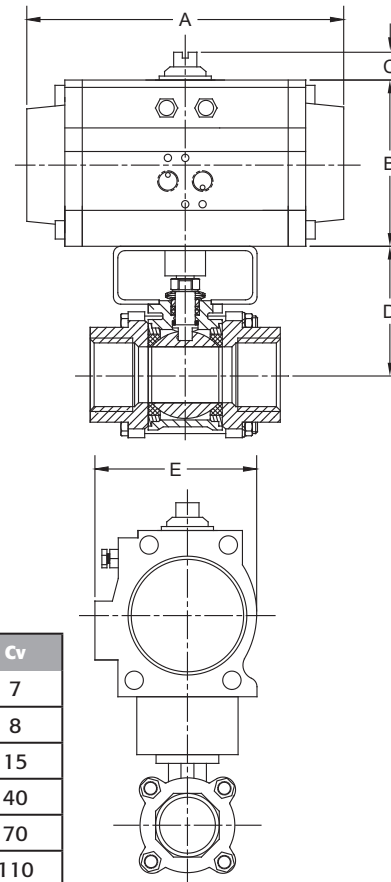
Live Loaded Packing System

Blowout Proof Stem

RTFE Seats Standard

STANDARDS

| | |
|---------------------------|------------------------------|
| Design | ASME B16.34 (fully conforms) |
| End Connections | ASME B1.20.1, B16.11 |
| Pressure Testing | API 598 |
| Mounting | ISO 5211 |
| Marking System for Valves | MSS SP-25 |
| Material Certification | EN 10204-3.1 MTR |
| Quality Assurance | ISO 9001:2015 |



SERIES 55 3-piece

DIMENSIONS (IN)

| SIZE | A | B | C | D | E | Cv |
|--------|-------|------|------|------|------|-------|
| 1/4" | 5.98 | 2.76 | 0.79 | 2.63 | 2.58 | 7 |
| 3/8" | 5.98 | 2.76 | 0.79 | 2.63 | 2.58 | 8 |
| 1/2" | 5.98 | 2.76 | 0.79 | 2.63 | 2.58 | 15 |
| 3/4" | 5.98 | 2.76 | 0.79 | 2.76 | 2.58 | 40 |
| 1" | 7.95 | 3.43 | 0.79 | 3.09 | 3.29 | 70 |
| 1-1/4" | 7.95 | 3.43 | 0.79 | 3.15 | 3.29 | 110 |
| 1-1/2" | 9.29 | 4.49 | 0.79 | 3.39 | 4.41 | 250 |
| 2" | 9.29 | 4.49 | 0.79 | 3.72 | 4.41 | 400 |
| 2-1/2" | 9.29 | 4.49 | 0.79 | 5.43 | 4.41 | 600 |
| 3" | 9.29 | 4.49 | 0.79 | 5.95 | 4.41 | 1,100 |
| 4" | 11.46 | 5.28 | 0.79 | 6.81 | 5.2 | 2,000 |

DIMENSIONS SHOWN ARE FOR ASSEMBLIES SIZED FOR 80 PSI SUPPLY

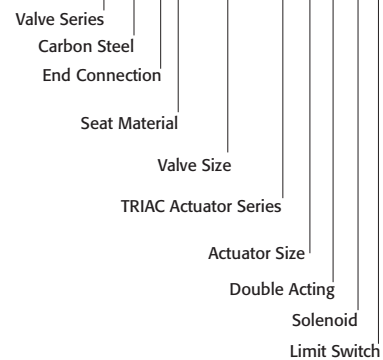
SIZED FOR 80 psi AIR SUPPLY

| SIZE | MODEL |
|--------|-------------------|
| 1/4" | 55-TX-025/TR1D-XX |
| 3/8" | 55-TX-038/TR1D-XX |
| 1/2" | 55-TX-050/TR1D-XX |
| 3/4" | 55-TX-075/TR1D-XX |
| 1" | 55-TX-100/2R2D-XX |
| 1-1/4" | 55-TX-125/2R2D-XX |
| 1-1/2" | 55-TX-150/2R3D-XX |
| 2" | 55-TX-200/2R3D-XX |
| 2-1/2" | 55-TX-250/2R3D-XX |
| 3" | 55-TX-300/2R3D-XX |
| 4" | 55-TX-400/2R5D-XX |

SIZED FOR 60 psi AIR SUPPLY

| SIZE | MODEL |
|--------|-------------------|
| 1/4" | 55-TX-025/TR1D-XX |
| 3/8" | 55-TX-038/TR1D-XX |
| 1/2" | 55-TX-050/TR1D-XX |
| 3/4" | 55-TX-075/TR1D-XX |
| 1" | 55-TX-100/2R2D-XX |
| 1-1/4" | 55-TX-125/2R3D-XX |
| 1-1/2" | 55-TX-150/2R3D-XX |
| 2" | 55-TX-200/2R3D-XX |
| 2-1/2" | 55-TX-250/2R3D-XX |
| 3" | 55-TX-300/2R4D-XX |
| 4" | 55-TX-400/2R6D-XX |

SAMPLE PART # 55C-TX-100/2R2D-XX



See valve part number matrix for complete part number and options.

OPTIONS

| DESCRIPTION | PART NO. SUFFIX | DESCRIPTION | PART NO. SUFFIX |
|-----------------------------|-----------------|---------------------------------|-----------------|
| TYPE 4 Solenoid | (A) | TYPE 4 Limit Switch (2) spdt | (A) |
| TYPE 7 Solenoid | (B) | TYPE 7 Limit Switch (2) spdt | (B) |
| Intrinsically Safe Solenoid | (C) | Intrinsically Safe Limit Switch | (C) |

Other options available - call for details
Actuators are sized based on clean/clear fluid.

Pneumatic Spring Return Automated Ball Valve Package

Series 55 3-Piece Ball Valve

Sizes 1/4" - 4"

Full Port Design

Available in 316SST or WCB

TH, SW, or BW Ends

600 - 1000 psi (by size)

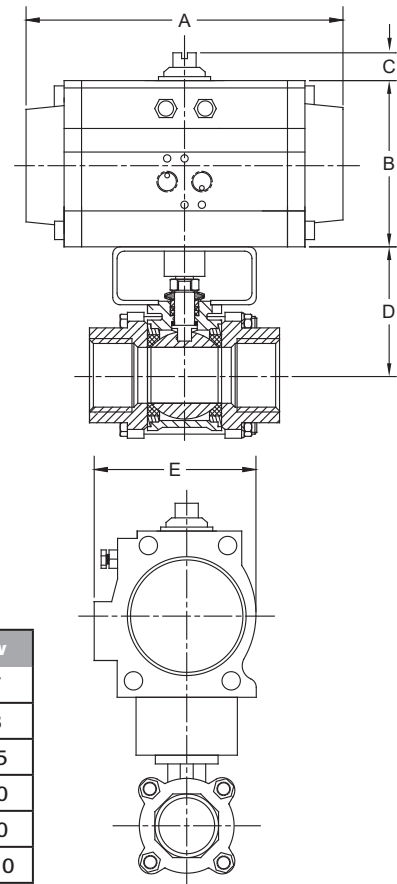
Live Loaded Packing System

Blowout Proof Stem

RTFE Seats Standard

STANDARDS

| | |
|---------------------------|------------------------------|
| Design | ASME B16.34 (fully conforms) |
| End Connections | ASME B1.20.1, B16.11 |
| Pressure Testing | API 598 |
| Mounting | ISO 5211 |
| Marking System for Valves | MSS SP-25 |
| Material Certification | EN 10204-3.1 MTR |
| Quality Assurance | ISO 9001:2015 |



SERIES 55 3-Piece

DIMENSIONS (IN)

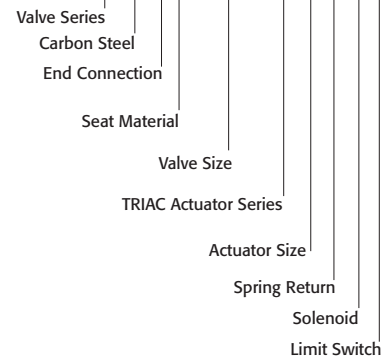
| SIZE | A | B | C | D | E | Cv |
|--------|-------|------|------|------|------|-------|
| 1/4" | 5.98 | 2.76 | 0.79 | 2.63 | 2.58 | 7 |
| 3/8" | 5.98 | 2.76 | 0.79 | 2.63 | 2.58 | 8 |
| 1/2" | 5.98 | 2.76 | 0.79 | 2.63 | 2.58 | 15 |
| 3/4" | 5.98 | 2.76 | 0.79 | 2.76 | 2.58 | 40 |
| 1" | 7.95 | 3.43 | 0.79 | 3.09 | 3.29 | 70 |
| 1-1/4" | 7.95 | 3.43 | 0.79 | 3.15 | 3.29 | 110 |
| 1-1/2" | 9.29 | 4.49 | 0.79 | 3.39 | 4.41 | 250 |
| 2" | 9.29 | 4.49 | 0.79 | 3.72 | 4.41 | 400 |
| 2-1/2" | 9.29 | 4.49 | 0.79 | 5.43 | 4.41 | 600 |
| 3" | 9.29 | 4.49 | 0.79 | 5.95 | 4.41 | 1,100 |
| 4" | 11.46 | 5.28 | 0.79 | 6.81 | 5.2 | 2,000 |

DIMENSIONS SHOWN ARE FOR ASSEMBLIES SIZED FOR 80 PSI SUPPLY

| SIZED FOR 80 psi AIR SUPPLY | |
|--------------------------------|-------------------|
| SIZE | MODEL |
| 1/4" | 55-TX-025/2R2S-XX |
| 3/8" | 55-TX-038/2R2S-XX |
| 1/2" | 55-TX-050/2R2S-XX |
| 3/4" | 55-TX-075/2R2S-XX |
| 1" | 55-TX-100/2R3S-XX |
| 1-1/4" | 55-TX-125/2R3S-XX |
| 1-1/2" | 55-TX-150/2R3S-XX |
| 2" | 55-TX-200/2R4S-XX |
| 2-1/2" | 55-TX-250/2R5S-XX |
| 3" | 55-TX-300/2R6S-XX |
| 4" | 55-TX-400/2R7S-XX |

| SIZED FOR 60 psi AIR SUPPLY | |
|--------------------------------|-------------------|
| SIZE | MODEL |
| 1/4" | 55-TX-025/2R2S-XX |
| 3/8" | 55-TX-038/2R2S-XX |
| 1/2" | 55-TX-050/2R2S-XX |
| 3/4" | 55-TX-075/2R3S-XX |
| 1" | 55-TX-100/2R3S-XX |
| 1-1/4" | 55-TX-125/2R3S-XX |
| 1-1/2" | 55-TX-150/2R4S-XX |
| 2" | 55-TX-200/2R4S-XX |
| 2-1/2" | 55-TX-250/2R5S-XX |
| 3" | 55-TX-300/2R6S-XX |
| 4" | 55-TX-400/2R7S-XX |

SAMPLE PART # 55C-TX-100/2R3S-XX



See valve part number matrix for complete part number and options.

OPTIONS

| DESCRIPTION | PART NO. SUFFIX | DESCRIPTION | PART NO. SUFFIX |
|-----------------------------|-----------------|---------------------------------|-----------------|
| TYPE 4 Solenoid | (A) | TYPE 4 Limit Switch (2) spdt | (A) |
| TYPE 7 Solenoid | (B) | TYPE 7 Limit Switch (2) spdt | (B) |
| Intrinsically Safe Solenoid | (C) | Intrinsically Safe Limit Switch | (C) |

Other options available - call for details
Actuators are sized based on clean/clear fluid.

Electric

Automated Ball Valve Package

Series 55 3-Piece Ball Valve

Sizes 1/4" - 4"

Full Port Design

Available in 316SST or WCB

TH, SW, or BW Ends

600 - 1000 psi (by size)

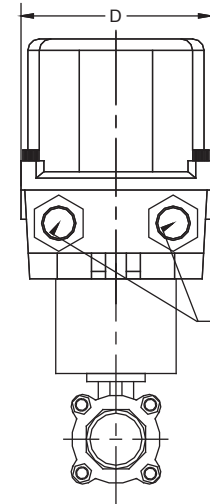
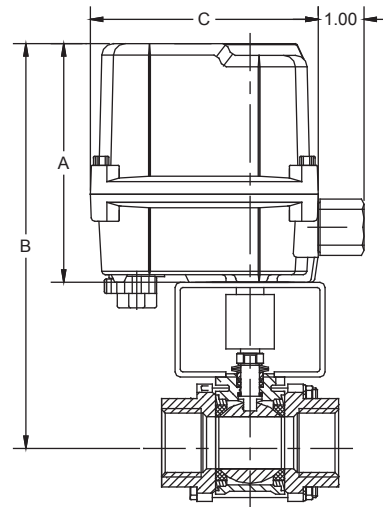
Live Loaded Packing System

Blowout Proof Stem

RTFE Seats Standard

STANDARDS

| | |
|---------------------------|------------------------------|
| Design | ASME B16.34 (fully conforms) |
| End Connections | ASME B1.20.1, B16.11 |
| Pressure Testing | API 598 |
| Mounting | ISO 5211 |
| Marking System for Valves | MSS SP-25 |
| Material Certification | EN 10204-3.1 MTR |
| Quality Assurance | ISO 9001:2015 |



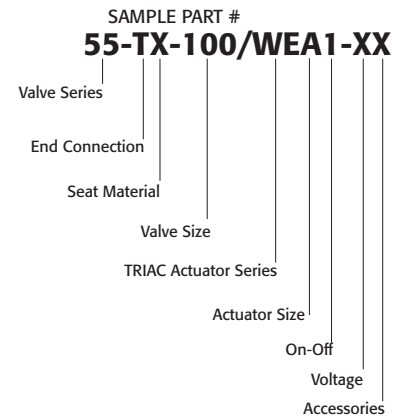
SERIES 55 3-piece

DIMENSIONS (IN)

| VALVE SIZE | A | B | C | D | VALVE Cv |
|------------|-------|-------|------|-------|----------|
| 1/4" | 5.24 | 7.87 | 4.94 | 4.08 | 7 |
| 3/8" | 5.24 | 7.87 | 4.94 | 4.08 | 8 |
| 1/2" | 5.24 | 7.87 | 4.94 | 4.08 | 15 |
| 3/4" | 5.24 | 8.00 | 4.94 | 4.08 | 40 |
| 1" | 5.24 | 8.33 | 4.94 | 4.08 | 70 |
| 1-1/4" | 5.24 | 8.38 | 4.94 | 4.08 | 110 |
| 1-1/2" | 5.24 | 8.63 | 4.94 | 4.08 | 250 |
| 2" | 5.24 | 8.96 | 4.94 | 4.08 | 400 |
| 2-1/2" | 9.25 | 14.68 | 6.69 | 10.16 | 600 |
| 3" | 10.55 | 16.5 | 9.02 | 13.31 | 1,100 |
| 4" | 10.55 | 17.36 | 9.02 | 13.31 | 2,000 |

| ON-OFF | |
|--------|-------------------|
| SIZE | MODEL |
| 1/4" | 55-TX-025/WEA1-XX |
| 3/8" | 55-TX-038/WEA1-XX |
| 1/2" | 55-TX-050/WEA1-XX |
| 3/4" | 55-TX-075/WEA1-XX |
| 1" | 55-TX-100/WEA1-XX |
| 1-1/4" | 55-TX-125/WEA1-XX |
| 1-1/2" | 55-TX-150/WEA1-XX |
| 2" | 55-TX-200/WEA1-XX |
| 2-1/2" | 55-TX-250/WEB1-XX |
| 3" | 55-TX-300/WEC1-XX |
| 4" | 55-TX-400/WED1-XX |

| MODULATING | |
|------------|-------------------|
| SIZE | MODEL |
| 1/4" | 55-TX-025/WEA2-XX |
| 3/8" | 55-TX-038/WEA2-XX |
| 1/2" | 55-TX-050/WEA2-XX |
| 3/4" | 55-TX-075/WEA2-XX |
| 1" | 55-TX-100/WEA2-XX |
| 1-1/4" | 55-TX-125/WEA2-XX |
| 1-1/2" | 55-TX-150/WEA2-XX |
| 2" | 55-TX-200/WEA2-XX |
| 2-1/2" | 55-TX-250/WEB2-XX |
| 3" | 55-TX-300/WEC2-XX |
| 4" | 55-TX-400/WED2-XX |



See valve part number matrix for complete part number and options.

| OPTIONS |
|------------------------|
| DESCRIPTION |
| 24VAC/24VDC/220VAC |
| Feedback Potentiometer |

NOTE: Heater and thermostat standard.
(2) auxiliary switches standard.
Actuators are sized based on clean/clear fluid.
Other options available.

HOW TO ORDER: Manual Valves

Series 55

| 2 | Valve Series |
|----|------------------------------|
| 55 | 3pc. 1000 psi max, Full Port |

| 3 | Body/Ball/Stem Material |
|-------|---------------------------------|
| Blank | Valve Series Standard (316 SST) |
| C | Carbon Steel Body |

MANUAL VALVE
SAMPLE PART #
55C-TH-300-XXX-

(2) Valve Series

(3) Body/Ball/Stem
Material

(4) End Connection

(5) Valve Size

(6) Seat, Lining, & Trim
Material

(7) Special Designation

(8) Additional Specials

(9) Options

| 4 | End Connection |
|----|--------------------------|
| TH | NPT Ends |
| SW | Socket Weld Ends |
| BW | Butt Weld Ends |
| EW | Extended Butt Weld Ends |
| TE | NPT x Extended Butt Weld |
| TS | NPT x Socket Weld |
| TB | NPT x Butt Weld |

| 5 | Valve Size |
|------|------------|
| 0025 | 1/4" |
| 0038 | 3/8" |
| 0050 | 1/2" |
| 0075 | 3/4" |
| 0100 | 1" |
| 0125 | 1-1/4" |
| 0150 | 1-1/2" |
| 0200 | 2" |
| 0250 | 2-1/2" |
| 0300 | 3" |
| 0400 | 4" |

| 6 | Seat, Lining & Trim Materials |
|---|---------------------------------------|
| X | Reinforced TFE Seats (RTFE) |
| P | Virgin TFE Seats (PTFE) |
| U | UHMWPE Seats |
| S | 50/50 STFE Seats |
| C | 25% CS Powder/75% TFE Seats (CTFE) |
| T | TFM™-1600 Seats |
| E | All TFM™-1600 Seats, Seals, & Packing |
| M | MG1241 Seats |

| 7 | Special Designation |
|---|--|
| X | No Specials/Series Standard |
| G | Gear Operator |
| H | Gear Operator with Lockout Plate |
| O | Oval Handle (<i>available in some</i>) |
| 4 | 4" Lockable Stem Extension |

| 8 | Additional Specials |
|---|----------------------------------|
| X | No Specials, Series Standard |
| O | Oxygen Cleaned |
| V | Vented Ball |
| E | Bonnet Extension Lockable Handle |
| F | Fugitive Emissions Bonnet |
| D | Degreased & Bagged |
| A | Vented Ball, Degreased & Bagged |
| B | Vented Ball, Oxygen Cleaned |

OPTIONS:

| 9 | Special Designation |
|-------|---------------------------------------|
| Blank | No Designation, Valve Series Standard |
| H | Hard Coated (HMF) Ball |

TFM™ is a trademark of Dyneon™, a 3M Company.

HOW TO ORDER: Automated Valves w/ Options

| 2 | Valve Series |
|----|------------------------------|
| 55 | 3pc. 1000 psi max, Full Port |

| 3 | Body/Ball/Stem Material |
|-------|---------------------------------|
| Blank | Valve Series Standard (316 SST) |
| C | Carbon Steel Body |

| 4 | End Connection |
|---|-------------------------|
| T | NPT Ends |
| S | Socket Weld Ends |
| B | Butt Weld Ends |
| E | Extended Butt Weld Ends |
| M | NPT x Socket Weld |
| P | NPT x Butt Weld |

| 5 | Seat, Lining & Trim Materials |
|---|---------------------------------------|
| X | Reinforced TFE Seats (RTFE) |
| P | Virgin TFE Seats (PTFE) |
| U | UHMWPE Seats |
| S | 50/50 STFE Seats |
| C | 25% CS Powder/75% TFE Seats (CTFE) |
| T | TFM™-1600 Seats |
| E | All TFM™-1600 Seats, Seals, & Packing |
| M | MG1241 Seats |

| 6 | Valve Size |
|-----|-----------------|
| 025 | 1/4" 125 1-1/4" |
| 038 | 3/8" 150 1-1/2" |
| 050 | 1/2" 200 2" |
| 075 | 3/4" 250 2-1/2" |
| 100 | 1" 300 3" |
| | 400 4" |

| 7 | Actuator - Pneumatic (DA) |
|------|---------------------------|
| TRYD | TR10DA 2R7D 2R500DA |
| TR1D | TR20DA 2R8D 2R850DA |
| 2R2D | 2R40DA 2R9D 2R1200DA |
| 2R3D | 2R80DA 2R0D 2R1750DA |
| 2R4D | 2R130DA 2RAD 2R2500DA |
| 2R5D | 2R200DA 2RBD 2R3500DA |
| 2R6D | 2R300DA |

| 7 | Actuator - Pneumatic (SR) |
|------|---------------------------|
| TR1S | TR20SR 2R7S 2R500SR |
| 2R2S | 2R40SR 2R8S 2R850SR |
| 2R3S | 2R80SR 2R9S 2R1200SR |
| 2R4S | 2R130SR 2R0S 2R1750SR |
| 2R5S | 2R200SR 2RAS 2R2500SR |
| 2R6S | 2R300SR 2RBS 2R3500SR |

| 7 | Actuator - Pneumatic Stainless (DA) |
|------|-------------------------------------|
| S21D | S2-052DA S25D S2-125DA |
| S22D | S2-063DA S26D S2-140DA |
| S23D | S2-083DA S27D S2-160DA |
| S24D | S2-105DA S28D S2-210DA |

| 7 | Actuator - Pneumatic Stainless (SR) |
|------|-------------------------------------|
| S21S | S2-052SR S25S S2-125SR |
| S22S | S2-063SR S26S S2-140SR |
| S23S | S2-083SR S27S S2-160SR |
| S24S | S2-105SR S28S S2-210SR |

| 7 | Actuator - Electric (On-Off) |
|------|------------------------------|
| WEX1 | WE-350 WEG1 WE-5200 |
| WEA1 | WE-500 WEH1 WE-6900 |
| WEB1 | WE-690 WEJ1 WE-10500 |
| WEC1 | WE-1350 WEK1 WE-17500 |
| WED1 | WE-1700 WEL1 WE-25900 |
| WEE1 | WE-2640 WEM1 WE-53000 |
| WEF1 | WE-4400 WEN1 WE-80000 |

| 7 | Actuator - Electric (Modulating) |
|------|----------------------------------|
| WEA2 | WEM-500 WEH2 WEM-6900 |
| WEB2 | WEM-690 WEJ2 WEM-10500 |
| WEC2 | WEM-1350 WEK2 WEM-17500 |
| WED2 | WEM-1700 WEL2 WEM-25900 |
| WEE2 | WEM-2640 WEM2 WEM-53000 |
| WEF2 | WEM-4400 WEN2 WEM-80000 |
| WEG2 | WEM-5200 |

OPTIONS:

| 8 | Accessories/Options | Model no. |
|---|---------------------------------|-------------------|
| X | No Specials | |
| A | TYPE 4 Solenoid 120VAC | TVCS-X411-4N-A120 |
| B | TYPE 7 Solenoid 120VAC | TVCS-X411-7N-A120 |
| C | Intrinsically Safe Solenoid | TVIS-X411-4N-D24 |
| D | TYPE 4 Solenoid 24VDC | TVCS-X411-4N-D24 |
| F | TYPE 7 Solenoid 24VDC | TVCS-X411-7N-D24 |
| Q | TYPE 4 SST Solenoid 120VAC | TVSS-X411-4N-A120 |
| M | TYPE 7 SST Solenoid 120VAC | TVSS-X411-7N-A120 |
| L | TYPE 4 SST Solenoid 24VDC | TVSS-X411-4N-D24 |
| N | TYPE 7 SST Solenoid 24VDC | TVSS-X411-7N-D24 |
| P | Pneumatic Positioner | PPR-1200 |
| E | Electro-Pneumatic Positioner | EPR-1000 |
| R | 24VDC Electric Actuator | |
| S | 220VAC Electric Actuator | |
| T | Other Voltage Electric Actuator | |
| W | 12VDC Electric Actuator | |
| Y | 24VAC Electric Actuator | |

** No voltage specified on electric assemblies denotes 120VAC*

| 9 | Accessories | Model no. |
|---|---------------------------------|-------------------|
| X | No Specials | |
| A | TYPE 4 Limit Switch | APL-210N/APL-310N |
| B | TYPE 7 Limit Switch | APL-510N |
| C | Intrinsically Safe Limit Switch | APL-218N |
| Q | TYPE 4 SST Limit Switch | APL-910N |
| M | TYPE 7 SST Limit Switch | APL-510S |
| 1 | HS1 High Speed Electric | |
| 2 | HS2 High Speed Electric | |

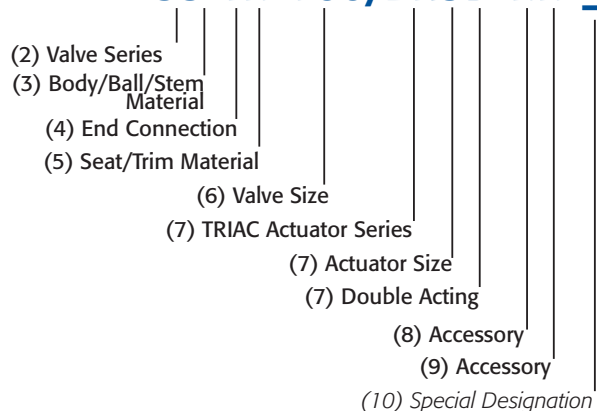
| 10 | Special Designation |
|-------|--------------------------|
| Blank | No Designation, SST Stem |

TFM™ is a trademark of Dyneon™, a 3M Company.

AUTOMATED VALVE

SAMPLE PART #

55-TX-100/2R3D-XX-



9955 International Blvd.
Cincinnati, Ohio 45246
www.atcontrols.com

PHONE (513) 247-5465
FAX (513) 247-5462
sales@atcontrols.com