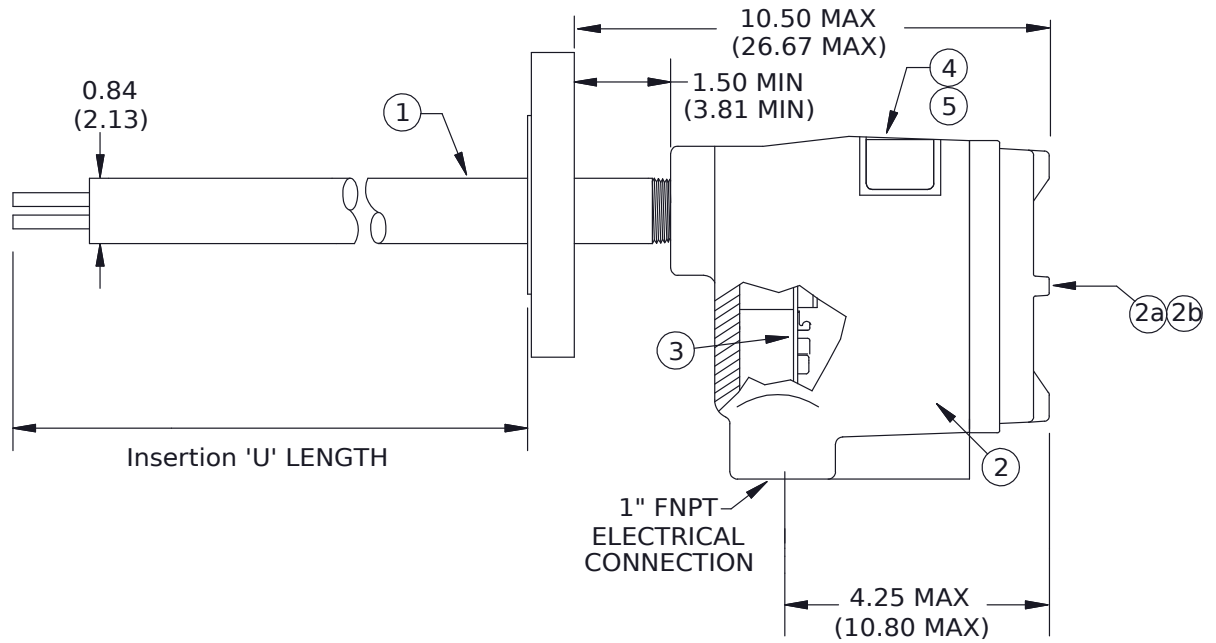
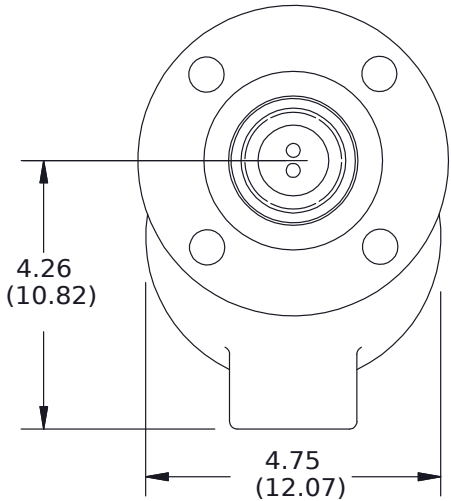


8 7 6 5 4 3 2 1

| REVISIONS |      |   |         |          |
|-----------|------|---|---------|----------|
| ZONE      | REV. | DESCRIPTION   | DATE    | APPROVED |
| All       | 0    | Initial Release   | 20Jun01 | Chidley  |
|           | 1    | Update Gland Dim.   | 08Apr11 |          |
|           | 2    | Edited footer note. Modified confidential note. Edited Title Block and Rev. Table. Modified dimensions. Added Bubble 1. | 03Jun13 | TDH      |
| C5        | 3    | Changed dimension from 1.05 to 0.84   | 21Jun21 | BT       |



**NOTES:**

- 1. This drawing is a reference document only.

|                                      |               |         |
|--------------------------------------|---------------|---------|
| UNLESS OTHERWISE SPECIFIED:          | NAME          | DATE    |
| DIMENSIONS ARE IN INCHES             | DRAWN MW      | 16MAY13 |
| TOLERANCES:                          | CHECKED EC    | 21MAY13 |
| ANGULAR: 0.5°                        | ENG APPR. TDH | 03JUN13 |
| ONE PLACE DECIMAL ±0.1               |               |         |
| TWO PLACE DECIMAL ±0.02              |               |         |
| THREE PLACE DECIMAL ±0.007           |               |         |
| INTERPRET GEOMETRIC TOLERANCING PER: |               |         |
| MATERIAL                             | COMMENTS:     |         |
| FINISH                               |               |         |
| DO NOT SCALE DRAWING                 |               |         |



TITLE:  
**CLASSIC 812 - Flanged Series Remote Sensor Assembly Mounting Drawing**

|          |                     |     |
|----------|---------------------|-----|
| SIZE     | DWG. NO.            | REV |
| <b>B</b> | D15-812-RAA-XXXX-RE | 3   |


8 7 6 5 4 3 2 1

8 7 6 5 4 3 2 1

| BOM  |  |             |     |
|------|--|-------------|-----|
| ITEM | DESCRIPTION  | PART NUMBER | QTY |
| 1    | Sensor; Flanged  | Custom      | 1   |
| 2    | Flameproof Enclosure (1/2" x 1" FNPT) c/w Terminal Assembly        | N10-100A-C  | 1   |
| 2a   | <input type="checkbox"/> Glass Lens Cover - Flameproof             | M10-1G00    | 1   |
| 2b   | <input checked="" type="checkbox"/> Blind Cover - Flameproof       | M10-1B00    | 1   |
| 3    | Remote Terminal Assy For Sensor Enclosure (12-24 VDC, 115-230 VAC) | 1790-0622-C | 1   |
| 4    | Nameplate, Foil  | 2400-0002   | 1   |
| 5    | Nameplate, Overlay   | 2401-0001   | 1   |

NOTES:

- 1. This drawing is a reference document only.

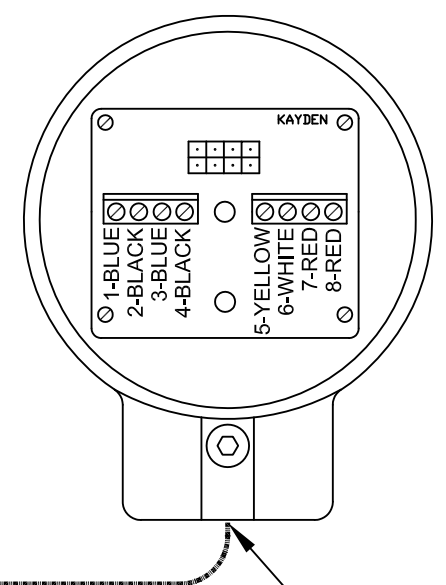
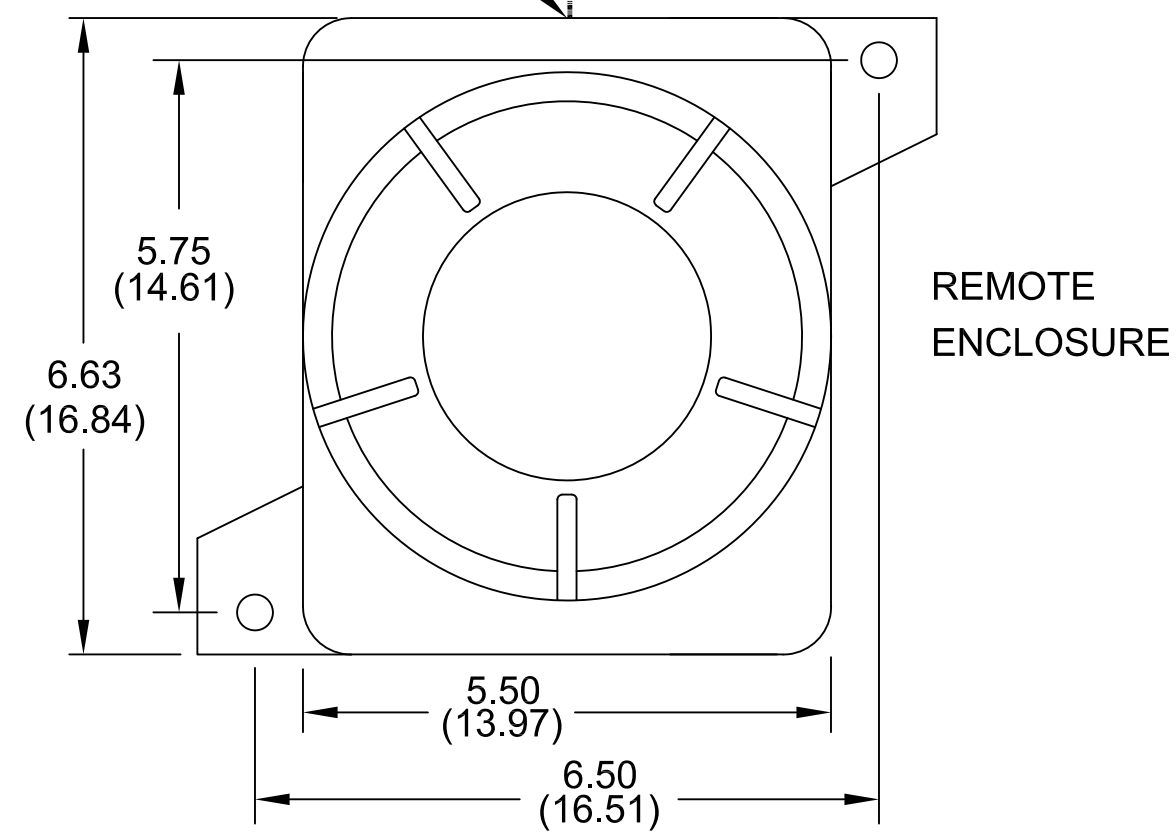
|  |            |                     |  |   |
|--|------------|---------------------|--|---|
| UNLESS OTHERWISE SPECIFIED:<br><br>DIMENSIONS ARE IN INCHES<br><br>TOLERANCES:<br>ANGULAR: 0.5°<br>ONE PLACE DECIMAL ±0.1<br>TWO PLACE DECIMAL ±0.02<br>THREE PLACE DECIMAL ±0.007<br><br>INTERPRET GEOMETRIC TOLERANCING PER:<br><br>MATERIAL<br><br>FINISH<br><br>DO NOT SCALE DRAWING |            | NAME                | DATE   |  |
|  | DRAWN      | MW                  | 16MAY13  |   |
|  | CHECKED    | EC                  | 21MAY13  |   |
|  | ENG APPR.  | TDH                 | 03JUN13  |   |
|  | COMMENTS:  |                     | TITLE:<br><br>Parts List - CLASSIC 812 - Flanged Series Remote Sensor Assembly |   |
|  | SIZE       | DWG. NO.            | REV  |   |
|  | <b>B</b>   | D15-812-RAA-XXXX-RE | 3  |   |
|  | SCALE: NTS | WEIGHT:             | SHEET 2 OF 2   |   |

8 7 6 5 4 3 2 1

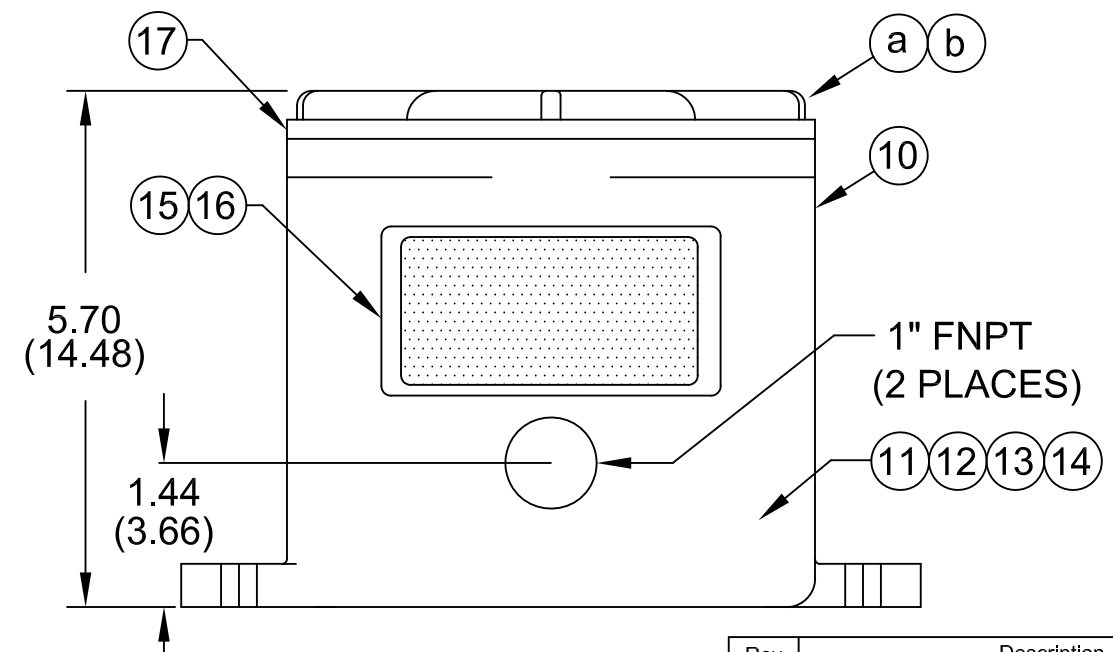
1" FNPT ELECTRONIC CONNECTION

FIELD WIRING

SENSOR ENCLOSURE



1" FNPT ELECTRICAL CONNECTION



Information contained in this document is confidential and proprietary information of Telematic Controls Inc. This document may not be reproduced or distributed for any reason without express written permission of Telematic Controls Inc. All rights of design, invention and copyright are reserved.

| APPROVALS | DATE    |
|-----------|---------|
| DRN MW    | 13MAY13 |
| CHKD EC   | 21MAY13 |
| APP TDH   | 03JUN13 |

**KAYDEN**  
INSTRUMENTS

All dimensions are shown in inches with cm shown in brackets

TOLERANCES ARE:

| DECIMALS     | ANGLES |
|--------------|--------|
| .X ± 0.1     | ±0.5°  |
| .XX ± 0.02   |        |
| .XXX ± 0.007 |        |

TITLE: CLASSIC Series Remote Electronics Flameproof Enclosure (CSA)

SIZE A3 | DWG NO. 7730-0000-1-CSA | REV 0

SCALE NTS | SHEET 3 OF 4

| Rev | Description     | App. | Date    |
|-----|-----------------|------|---------|
| 0   | Initial release | TDH  | 03Jun13 |
|     |                 |      |         |
|     |                 |      |         |
|     |                 |      |         |
|     |                 |      |         |
|     |                 |      |         |
|     |                 |      |         |

NOTES:  
1. Wire according to connection diagram.

