

rotork[®]
MIDLAND

Poppet Valve Catalogue



Poppet Valves

1750 series pilot operated
1750 series pilot solenoid operated
1750 series plunger or lever roller operated

Redefining Flow Control

Contents

| Section | Page |
|--|------|
| Introduction | 3 |
| 1750 Series Poppet Valve | |
| Pilot operated | 4 |
| 1/4" to 1/2" Pilot operated | 5 |
| 3/4" to 2" Pilot operated | 6 |
| 3" Pilot operated | 7 |
| 1/4" to 1/2" Pilot solenoid operated | 8 |
| 1/4" to 1/2" Pilot solenoid operated | 9 |
| 3/4" to 3" Pilot solenoid operated | 10 |
| 3/4" to 3" Pilot solenoid operated | 11 |
| Solenoid operators for use with pilot solenoid poppet valves | 12 |
| Solenoid specifications | 13 |
| Plunger or roller lever operated | 14 |
| 3/2 Plunger operated spring-return | 15 |
| Rotork Midland | 16 |
| Rotork Instruments | 16 |
| Rotork Site Services – Service and Support | 17 |



Rotork is the global market leader in valve automation and flow control. Our products and services are helping organisations around the world to improve efficiency, assure safety and protect the environment.

We strive always for technical excellence, innovation and the highest quality standards in everything we do. As a result, our people and products remain at the forefront of flow control technology.

Uncompromising reliability is a feature of our entire product range, from our flagship electric actuator range through to our pneumatic, hydraulic and electro-hydraulic actuators, as well as instruments, gearboxes and valve accessories.

Rotork is committed to providing first class support to each client throughout the whole life of their plant, from initial site surveys to installation, maintenance, audits and repair. From our network of national and international offices, our engineers work around the clock to maintain our position of trust.

Rotork. Redefining flow control.

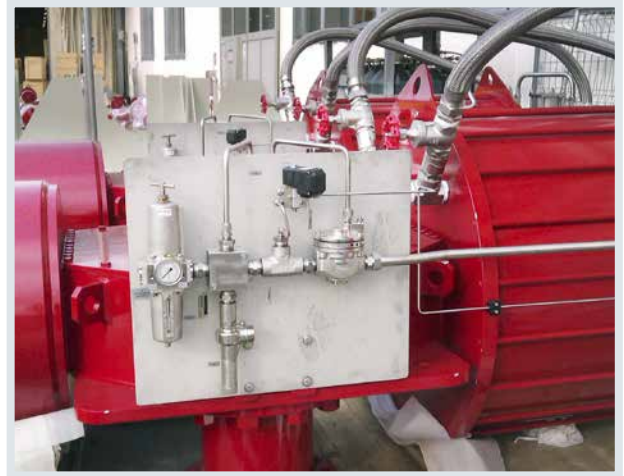
Introduction

A range of 3/2 pilot operated poppet valves in stainless steel 316L for use on gases. Specifically designed for harsh environments, designed for actuator control.

Rotork Midlands' 1750 series is available in 1/4" to 3" NPT port sizes. 316L construction makes this valve range ideal for severe service / hazardous environments.

3/2 function for cylinder or actuator control incorporating:

- Low power consumption
- Low temperature options
- High flow rates
- Relevant industry approvals including SIL
- Sweet (natural) and sour gases as well as low pressure hydraulic, mineral or water
- Hazardous protection concepts



1750 Series Poppet Valve – Pilot operated

A range of 3/2 pilot operated poppet valves in stainless steel 316L for use on gases.

Features and Benefits

- Specifically designed for severe environments
- Ambient temperature range
-20 to +180 °C (-4 to +356 °F)
- 316L stainless steel construction
- Designed for actuator control
- Large flow paths (up to 110 Cv)
- NACE capability option available

Working Temperature Range

- 1/4" to 1 1/2" -20 to +180 °C (-4 to +356 °F)
- 2" & 3" -20 to +80 °C (-4 to +176 °F)
- Low temperature option -50 to +90 °C (-58 to +194 °F) - available up to 2"

Working Pressure

- Up to 12 bar (174 psi) maximum inlet pressure
- Minimum pilot pressure valve size dependent.

Ports NPT (BSP option available)

- 1/4" to 3" NPT
- Pilot ports 1/8" or 1/4" (valve size dependent)



Operating Media

- Gases – filtered lubricated or non lubricated air, inert gas, sweet (natural) and sour gases
- Liquids – low pressure hydraulic, mineral oil or water (please consult factory)

Construction Materials

- Body & trim: 316L stainless steel
- Springs: 316 stainless steel
- Seals: 1/4" to 1 1/2" fluoroelastomer (standard option)
2" and 3" nitrile (standard option)
1/4" to 2" EPDM (low temperature version)

Drawings and 3D models for all valves and solenoid options available on request

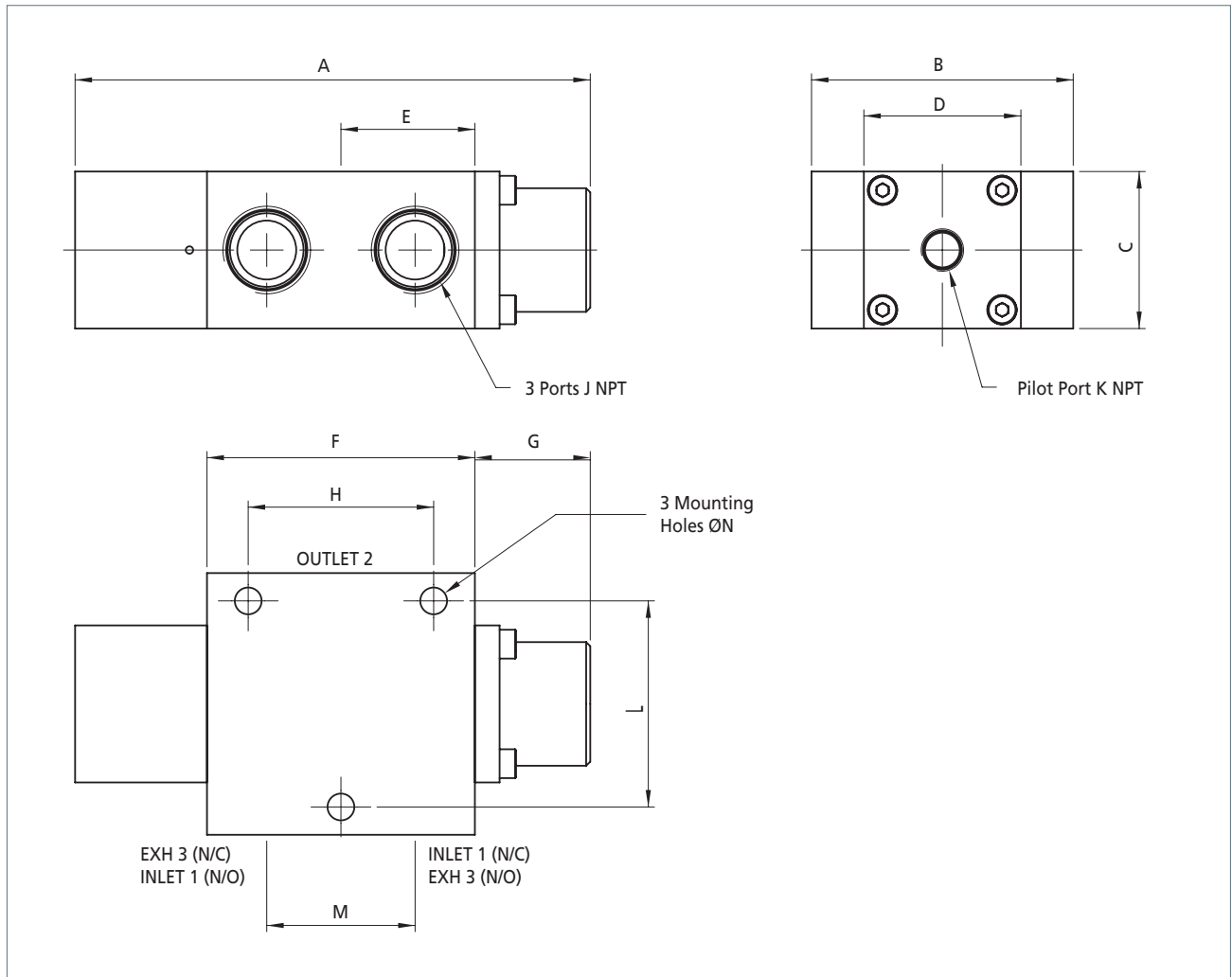
| Product Code | Low Temperature Version | Size | Mass (kg) | Max. Flow L/Min | Max. Flow SCFM | Min. Pilot Pressure | Cv |
|--------------|-------------------------|--------|-----------|-----------------|----------------|---------------------|-----|
| 2325M21-VC2B | 2325M21-EC2B | 1/4" | 0.65 | 1216 | 43 | 4.0 bar | 1.2 |
| 3325M21-VC2B | 3325M21-EC2B | 3/8" | 0.9 | 1809 | 64 | 4.0 bar | 1.8 |
| 4325M21-VC2B | 4325M21-EC2B | 1/2" | 1.5 | 3518 | 124 | 3.0 bar | 3.5 |
| 6325M21-SC2B | 6325M21-EC2B | 3/4" | 5 | 8041 | 284 | 3.0 bar | 8 |
| 8325M21-SC2B | 8325M21-EC2B | 1" | 5 | 12866 | 454 | 3.0 bar | 13 |
| 5325M21-SC2B | 5325M21-EC2B | 1 1/4" | 11 | 17650 | 624 | 3.0 bar | 18 |
| 7325M21-SC2B | 7325M21-EC2B | 1 1/2" | 11 | 22379 | 923 | 3.0 bar | 26 |
| 9325M21-SC2B | 9325M21-EC2B | 2" | 18.7 | 50861 | 1797 | 3.0 bar | 50 |

Maximum flow at 6 bar, with 1 bar differential
Minimum pilot pressure at 6.3 bar body pressure

Certification Options Available

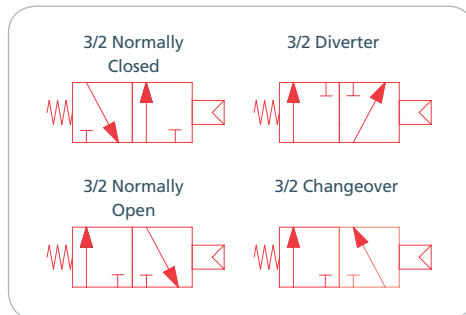


1750 Series Poppet Valve – 1/4" to 1/2" Pilot operated

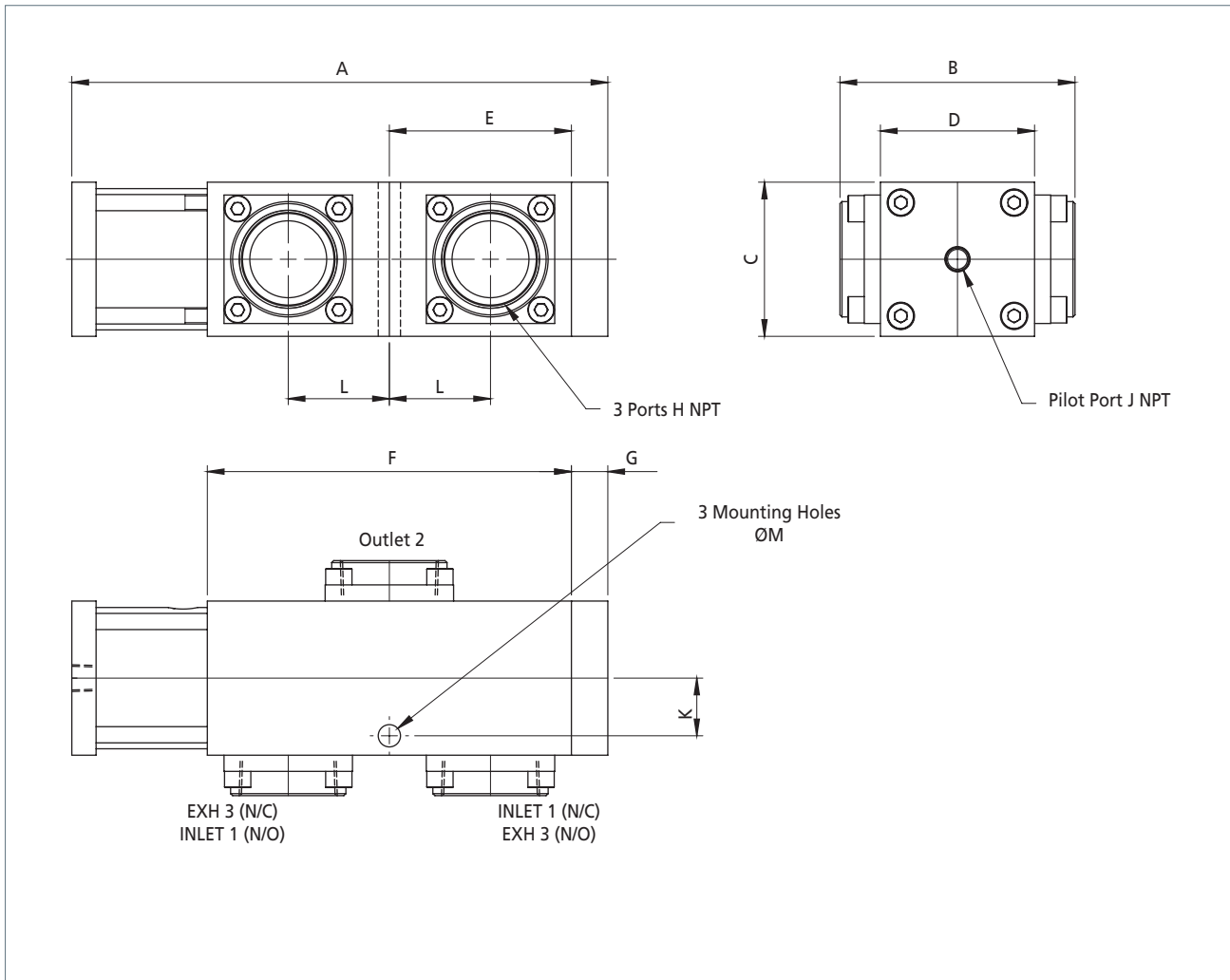


Ordering Information

| Product Code | Low Temperature Version | Size | A | B | C | D | E | F | G | H | J | K | L | M | N |
|--------------|-------------------------|------|-----|------|----|----|------|----|----|----|------|------|----|----|-----|
| 2325M21-VC2B | 2325M21-EC2B | 1/4" | 92 | 44.5 | 32 | 32 | 27 | 54 | 10 | 26 | 1/4" | 1/8" | 35 | 28 | 5.5 |
| 3325M21-VC2B | 3325M21-EC2B | 3/8" | 92 | 51 | 32 | 32 | 27 | 54 | 10 | 38 | 3/8" | 1/8" | 40 | 28 | 6.5 |
| 4325M21-VC2B | 4325M21-EC2B | 1/2" | 125 | 63.5 | 38 | 38 | 32.5 | 65 | 28 | 45 | 1/2" | 1/8" | 50 | 36 | 6.5 |



1750 Series Poppet Valve – 3/4" to 2" Pilot operated

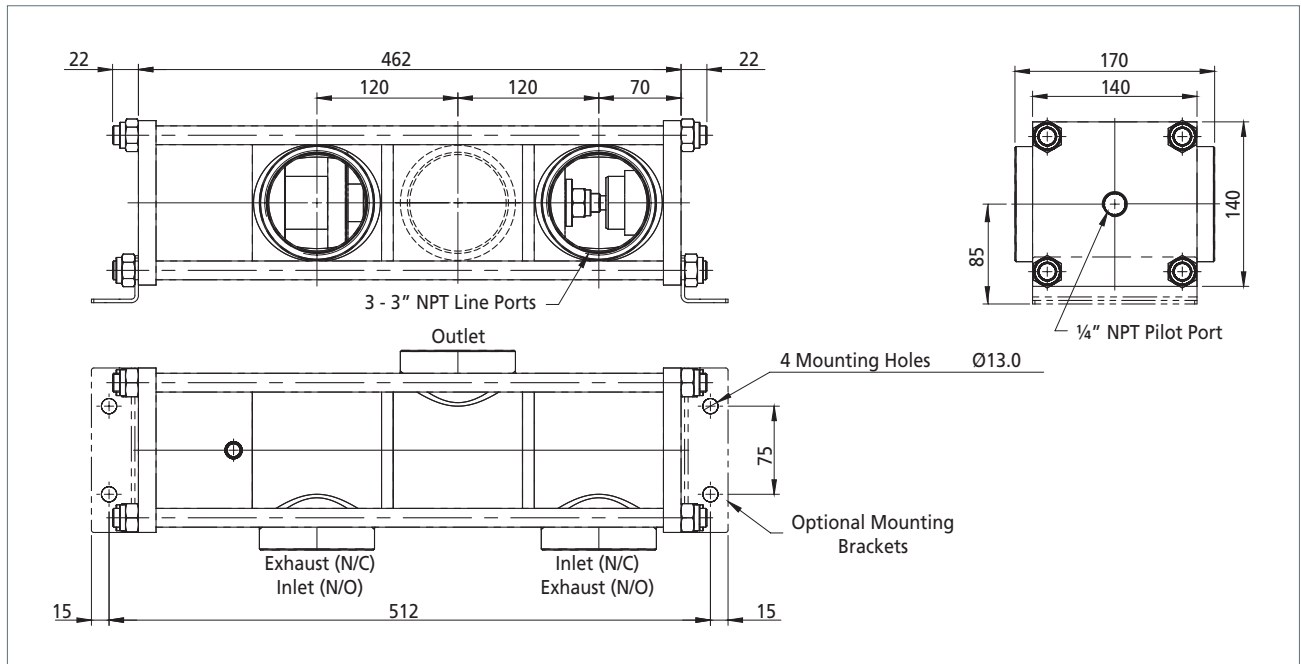


Ordering Information

| Product Code | Low Temperature Version | Size | A | B | C | D | E | F | G | H | J | K | L | M |
|--------------|-------------------------|--------|-----|-----|------|------|-----|-----|----|--------|------|------|----|----|
| 6325M21-SC2B | 6325M21-EC2B | 3/4" | 202 | 96 | 63.5 | 63.5 | 53 | 106 | 22 | 3/4" | 1/4" | 23 | 30 | 11 |
| 8325M21-SC2B | 8325M21-EC2B | 1" | 202 | 96 | 63.5 | 63.5 | 63 | 126 | 22 | 1" | 1/4" | 23 | 35 | 11 |
| 5325M21-SC2B | 5325M21-EC2B | 1 1/4" | 265 | 116 | 76 | 76 | 90 | 180 | 18 | 1 1/4" | 1/4" | 28.5 | 50 | 11 |
| 7325M21-SC2B | 7325M21-EC2B | 1 1/2" | 265 | 116 | 76 | 76 | 90 | 180 | 18 | 1 1/2" | 1/4" | 28.5 | 50 | 11 |
| 9325M21-SC2B | 9325M21-EC2B | 2" | 339 | 140 | 102 | 102 | 120 | 240 | 13 | 2" | 1/4" | 38 | 62 | 13 |



1750 Series Poppet Valve – 3" Pilot operated

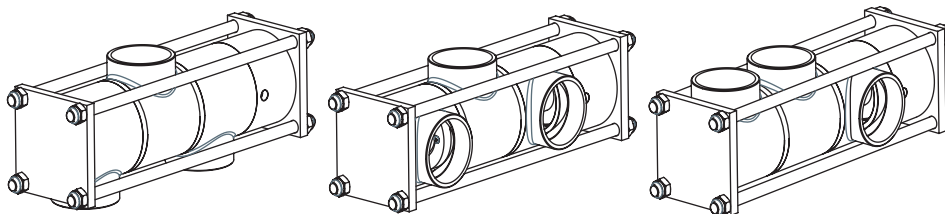


Ordering Information

| Product Code | Size | Mass (kg) | Max. Flow L/Min | Max. Flow SCFM | Min. Pilot Pressure | Cv |
|--------------|------|-----------|-----------------|----------------|---------------------|-----------------------|
| C325M21-SC2B | 3" | 30 | 111894 | 3954 | See below | 110 (90 offset ports) |

Low temperature version not available in 3".
If alternative port positions are required consult factory. See examples below.

Alternative Port Positions



Pilot Pressures for 3" Poppet Valve

| Line Pressure (bar) | Pilot Pressure (bar) |
|---------------------|----------------------|
| 1 | 2 |
| 2 | 2.4 |
| 3 | 3.2 |
| 4 | 3.4 |
| 5 | 3.6 |
| 6 | 4.2 |

| Line Pressure (bar) | Pilot Pressure (bar) |
|---------------------|----------------------|
| 7 | 5 |
| 8 | 5.6 |
| 9 | 6.2 |
| 10 | 6.6 |
| 11 | 7.2 |
| 12 | 7.6 |



1750 Series Poppet Valve – 1/4" to 1/2" Pilot solenoid operated

A range of 3/2 pilot solenoid operated poppet valves in stainless steel 316L for use on gases.

K-TYPE solenoid shown - see solenoid specification chart

Features and Benefits

- Specifically designed for severe environments
- Ambient temperature range -20 to +180 °C (-4 to +356 °F) (valve only - see solenoid specification chart for details)
- 316L stainless steel construction
- Designed for actuator control
- Large flow paths (up to 110 Cv)
- NACE capability option available

Working Temperature Range

- 1/4" to 1/2" -20 to +180 °C (-4 to +356 °F)
- Low temperature option available -50 °C (-58 °F) - solenoid fitted (consult factory for product codes)

Working Pressure

- Up to 12 bar (174 psi) maximum inlet pressure
- Minimum pilot pressure valve size dependent

Ports NPT (BSP option available)

- 1/4" to 1/2" NPT
- Pilot ports 1/8"



Operating Media

- Gases – filtered lubricated or non-lubricated air, inert gas, sweet (natural) and sour gases - NACE
- Liquids – low pressure hydraulic, mineral oil or water (please consult factory)

Construction Materials

- Body & trim: 316L stainless steel
- Springs: 316 stainless steel
- Seals: 1/4" to 1/2" fluoroelastomer
- 1/4", 3/8" and 1/2" pilot solenoid poppet valves have internal feed to solenoid, therefore can only be used 3/2 normally closed, if normally open or separate pilot supply is required please consult factory

Drawings and 3D models for all valves and solenoid options available on request

| Product Code | Size | Mass (kg) | Max.Flow L/Min | Max.Flow SCFM | Operating Pressure | Cv |
|----------------|------|----------------|----------------|---------------|--------------------|-----|
| 2323M23-VC2B*# | 1/4" | 0.65 +solenoid | 1216 | 43 | 3 to 12 bar | 1.2 |
| 3323M23-VC2B*# | 3/8" | 0.9 +solenoid | 1809 | 64 | 3 to 12 bar | 1.8 |
| 4323M23-VC2B*# | 1/2" | 1.5 +solenoid | 4020 | 142 | 3 to 12 bar | 3.5 |

* Denotes solenoid type. See page 12-13

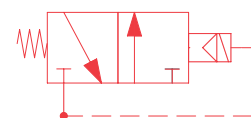
Denotes Voltage. See page 12

Maximum Flow at 6 bar, with 1 bar differential
Minimum Pilot Pressure at 6.3 bar body pressure

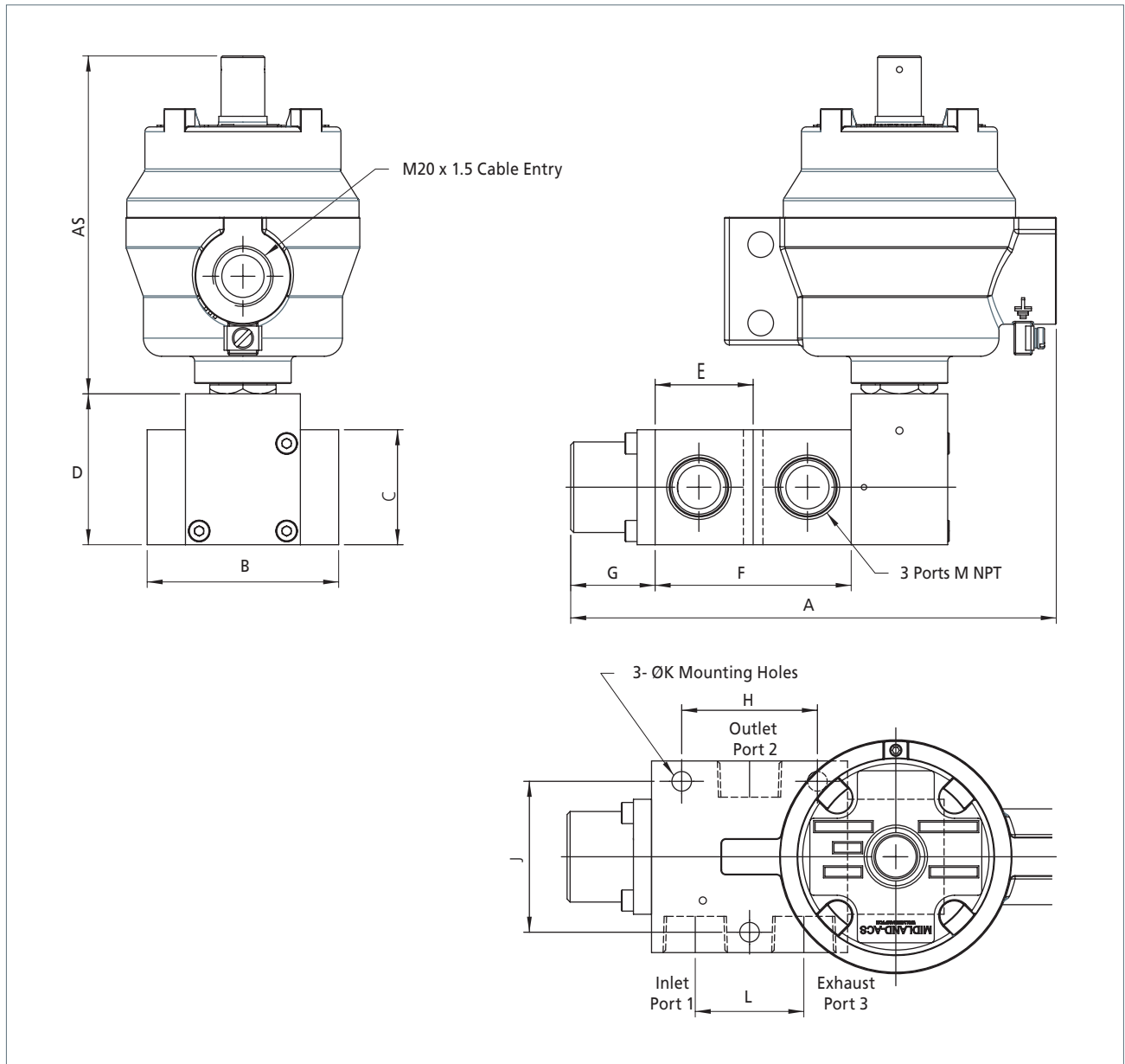
Certification Options Available



Internal Feed to Solenoid 3/2 N/C



1750 Series Poppet Valve – 1/4" to 1/2" Pilot solenoid operated



Ordering Information

| Product Code | Size | A | B | C | D | E | F | G | H | J | K | L | M |
|----------------|------|-----|------|----|----|------|----|----|----|----|-----|----|------|
| 2323M23-VC2B*# | 1/4" | 132 | 44.5 | 32 | 41 | 27 | 54 | 10 | 26 | 35 | 5.5 | 28 | 1/4" |
| 3323M23-VC2B*# | 3/8" | 132 | 51 | 32 | 41 | 27 | 54 | 10 | 38 | 40 | 6.5 | 28 | 3/8" |
| 4323M23-VC2B*# | 1/2" | 161 | 63.5 | 38 | 50 | 32.5 | 65 | 28 | 45 | 50 | 6.5 | 36 | 1/2" |

* Denotes solenoid type. See page 12 - 13
 # Denotes Voltage. See page 12

1750 Series Poppet Valve – 3/4" to 3" Pilot solenoid operated

A range of 3/2 pilot solenoid operated poppet valves in stainless steel for use on gases.

K-TYPE solenoid shown - see solenoid specification chart

Features and Benefits

- Specifically designed for severe environments
- Ambient temperature range -20 to +80 °C (-4 to +176 °F) (valve only - see solenoid specification chart for details)
- 316L stainless steel construction
- Designed for actuator control
- Large flow paths (up to 110 Cv)
- NACE capability option available

Working Temperature Range

- 3/4" to 3" -20 to +80 °C (-4 to +176 °F) valve only, see separate table for solenoid ambient temperatures
- Low temperature option -50 °C (-58 °F) available for 3/4" to 2" only (solenoid dependant - consult factory for product code)
- Fluoroelastomer option +180 °C available 3/4" to 1 1/2" only (consult factory for product code)

Working Pressure

- Up to 12 bar (174 psi) maximum inlet pressure
- Minimum pilot pressure via solenoid supply port (valve size dependent - see chart)

Ports NPT (BSP option available)

- 3/4" to 3" NPT
- Pilot Ports 1/8" or 1/4" (valve size dependent)

Operating Media

- Gases – filtered lubricated or non-lubricated air, inert gas, sweet (natural) and sour gases - NACE
- Liquids – low pressure hydraulic, mineral oil or water (please consult factory)

Construction Materials

- Body and trim: 316L stainless steel
- Springs: 316 stainless steel
- Seals: 3/4" to 3" Nitrile



Drawings and 3D models for all valves and solenoid options available on request

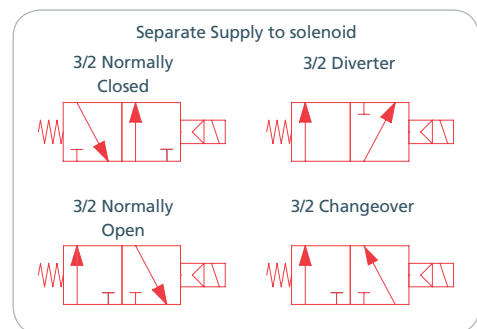
| Product Code | Size | Mass (kg) | Max.Flow L/Min | Max.Flow SCFM | Minimum Solenoid Supply Pressure | Cv |
|----------------|--------|----------------|----------------|---------------|----------------------------------|-----|
| 6325M24-SC2B*# | 3/4" | 5 +solenoid | 8041 | 284 | 4 bar | 8 |
| 8325M24-SC2B*# | 1" | 5 +solenoid | 12866 | 454 | 4 bar | 13 |
| 5325M24-SC2B*# | 1 1/4" | 11 +solenoid | 17650 | 624 | 4 bar | 18 |
| 7325M24-SC2B*# | 1 1/2" | 11 +solenoid | 22379 | 791 | 4 bar | 22 |
| 9325M24-SC2B*# | 2" | 18.7 +solenoid | 50869 | 1798 | 4 bar | 50 |
| C325M24-SC2B*# | 3" | 30 +solenoid | 111895 | 3955 | 7 bar | 110 |

Maximum Flow at 6 bar, with 1 bar differential

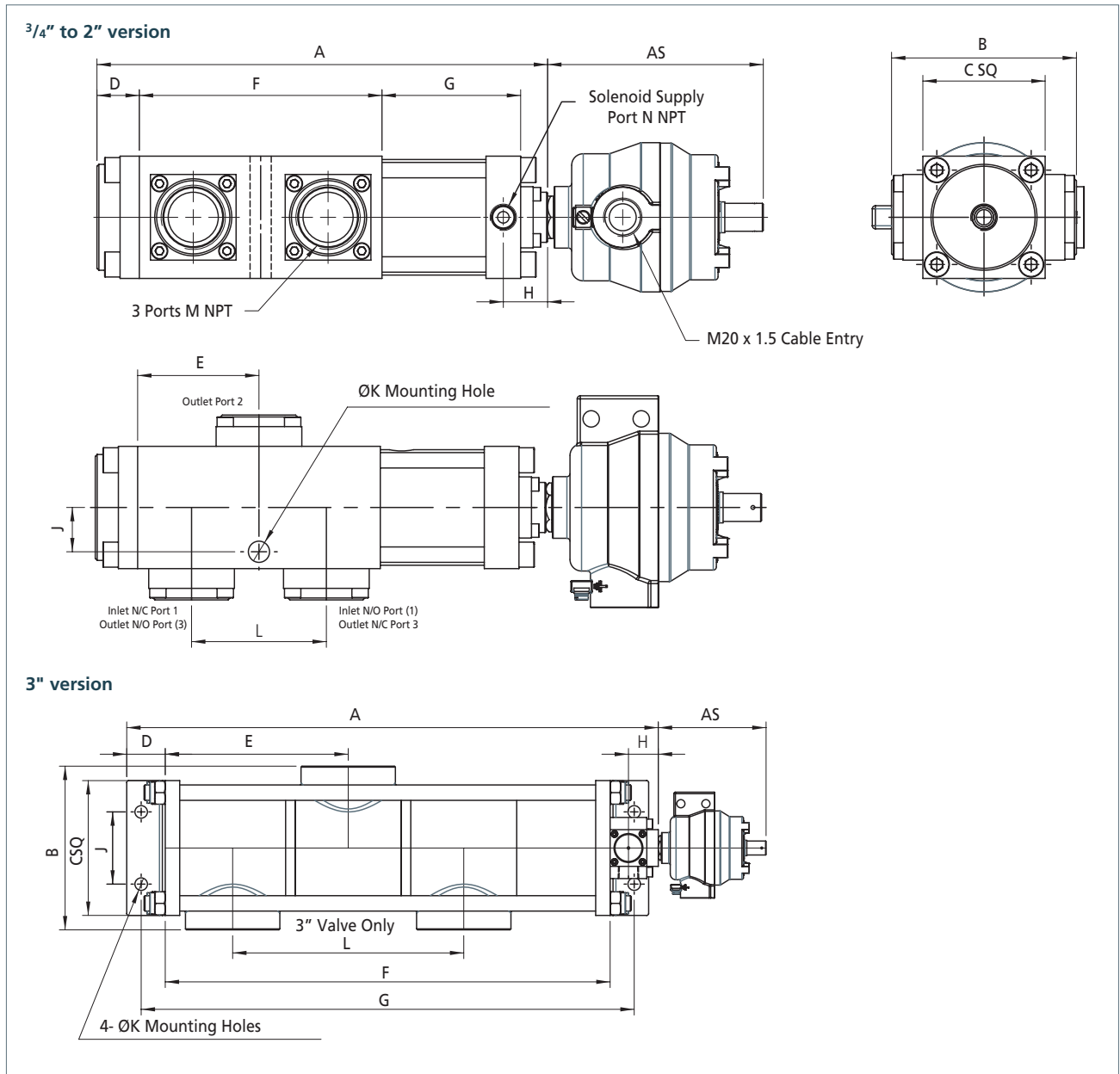
* Denotes Solenoid Type. See Page 12 - 13

Denotes Voltage. See Page 12

Certification Options Available



1750 Series Poppet Valve – 3/4" to 3" Pilot solenoid operated



Ordering Information

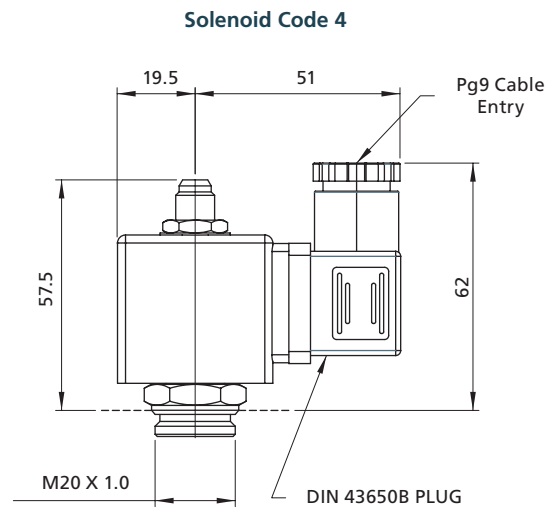
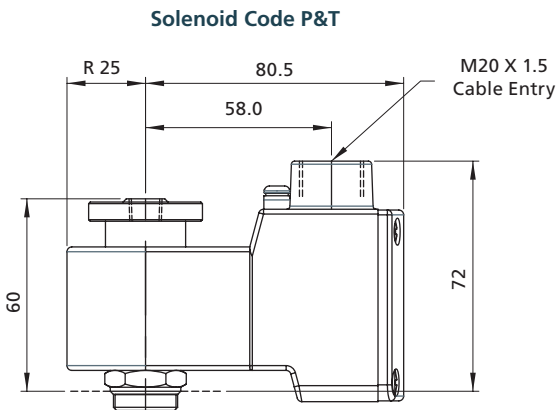
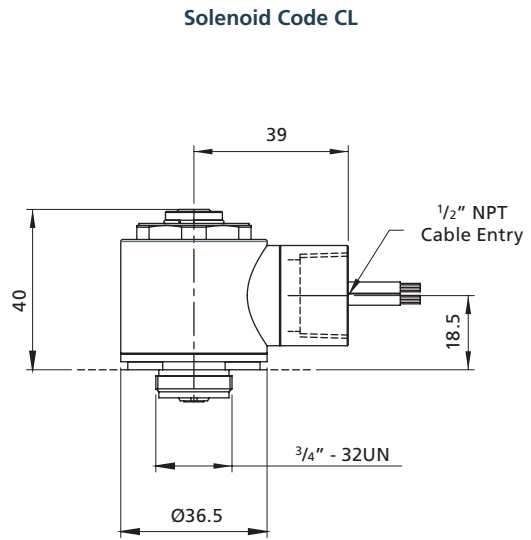
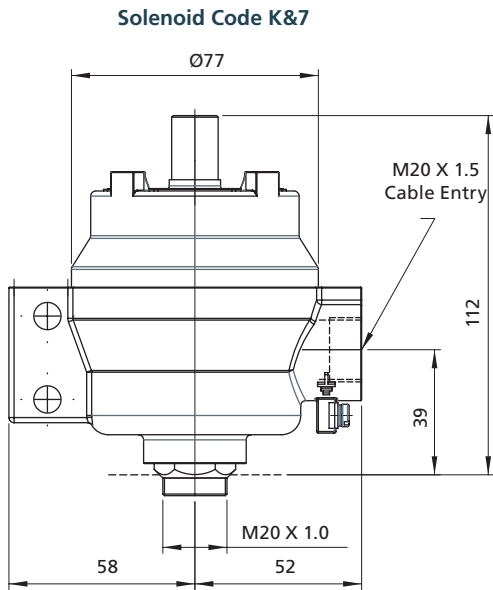
| Product Code | Size | A | B | C | D | E | F | G | H | J | K | L | M | N |
|-----------------|--------|-----|-----|------|----|-----|-----|-----|----|------|----|-----|--------|------|
| 6325M24-SC2B*## | 3/4" | 214 | 96 | 63.5 | 22 | 53 | 106 | 72 | 23 | 23 | 11 | 60 | 3/4" | 1/4" |
| 8325M24-SC2B*## | 1" | 234 | 96 | 63.5 | 22 | 63 | 126 | 72 | 23 | 23 | 11 | 70 | 1" | 1/4" |
| 5325M24-SC2B*## | 1 1/4" | 285 | 116 | 76 | 18 | 90 | 180 | 73 | 23 | 28.5 | 11 | 100 | 1 1/4" | 1/4" |
| 7325M24-SC2B*## | 1 1/2" | 285 | 116 | 76 | 18 | 90 | 180 | 73 | 23 | 28.5 | 11 | 100 | 1 1/2" | 1/4" |
| 9325M24-SC2B*## | 2" | 378 | 140 | 102 | 13 | 120 | 240 | 86 | 24 | 38 | 13 | 124 | 2" | 1/4" |
| C325M24-SC2B*## | 3" | 552 | 170 | 140 | 40 | 190 | 462 | 512 | 31 | 75 | 13 | 240 | 3" | 1/2" |

If alternative port positions are required consult factory.

* Denotes solenoid type. See page 12 - 13

Denotes Voltage. See page 12

1750 Series Poppet Valve – Solenoid operators for use with pilot solenoid poppet valves



Voltages

| Code | Voltage |
|------|------------------|
| C | 12 VDC |
| D | 24 VDC |
| F | 48 VDC |
| M | 110 VAC 50/60 Hz |
| S | 220 VAC 50 Hz |
| Y | 28 VDC |

1750 Series Poppet Valve – Pilot solenoid operated

Solenoid specifications

| Model Code | K | 7 | CL | P | T | 4 |
|--|---|---|--|---|---|-------------------------------------|
| Type of Protection | Exd IIC T6 | Exd IIC T4 | NEMA 7 & 9 | Eex me II T4/T5 | Eex ia IIC T6 | Non-hazardous |
| Approved Area | Zones 1 and 2 | Zones 1 and 2 | Class I, Div 1, Group C & D. Class II, Div 1, Groups E, F, & G. Class II, Div 2, Groups C, D, E, F & G | Zones 1 and 2 | Zones 0 | None |
| Degree of Protection | IP67 (NEMA Equivalent: 6) | IP67 (NEMA Equivalent: 6) | NEMA 4 (IP55) | IP66 (NEMA Equivalent: 4X) | IP66 (NEMA Equivalent: 4X) | IP65 (NEMA Equivalent: 4) |
| Housing | 316 Stainless Steel alt Aluminium Epoxy coated | 316 Stainless Steel alt Aluminium Epoxy coated | Stainless Steel. Coil potted | Glass reinforced Polyamid (Stainless Steel conduit hub) | Glass reinforced Polyamid | Moulded plastic |
| Cable Entry | M20 x 1.5 (Optional 1/2" NPT consult factory for code) | M20 x 1.5 (Optional 1/2" NPT consult factory for code) | 1/2" NPT or 24" flying lead | M20 x 1.5 (Optional 1/2" NPT consult factory for code) | M20 x 1.5 (Optional 1/2" NPT consult factory for code) | DIN plug |
| Power Consumption AC/DC | 5W 22.4 VA (110 VAC) 23.4 VA (120 VAC) | 5 W 22.4 VA (110 VAC) 23.4 VA (120 VAC) | 1.8 W / 1.8 W | 7.5 W (DC) | 2.3 W (24 VDC) | 9 W (DC) 9 W (Inrush 32 VA) (AC) |
| Maximum Admissible Surface Temp | 85 °C (185 °F) | 135 °C (275 °F) | 160 °C (320 °F) | T4 135 °C (275 °F) T5 100 °C (212 °F) | 85 °C (185 °F) | N/A |
| Maximum Ambient Temperature | 40 °C (104 °F) | 80 °C (176 °F) | 40 °C (104 °F) | T4 75 °C (167 °F) T5 40 °C (104 °F) | 65 °C (149 °F) | 50 °C (122 °F) |
| Maximum Fluid Temperature | 80 °C (176 °F) | 80 °C (176 °F) | 105 °C (221 °F) | 75 °C (167 °F) | 75 °C (167 °F) | 75 °C (167 °F) |
| Solenoid Weight (kg) | 1.62 | 1.62 | 0.29 | 0.63 | 0.53 | 0.20 |
| Approved Standard | ATEX, CSA, UL, IECEX & EAC | ATEX, CSA, UL, IECEX & EAC | UL Listed / CSA Certified & EAC | ATEX, CSA, UL, IECEX & EAC | ATEX, CSA, UL, IECEX & EAC | EAC |

NOTES:

The combination of valve and coil will determine maximum ambient i.e. always the lower of the two.
‘T’ type solenoid only available with 28 VDC coil (Y).

1750 Series Poppet Valve – Plunger or roller lever operated

A range of 3/2 mechanically operated poppet valves for cylinder position detection in stainless steel 316L for use on gases.

Features and Benefits

- Specifically designed for severe environments
- Ambient temperature range -20 to + 80 °C
- 316L stainless steel construction
- Mechanically operated
- Limit switch for end of actuator stroke detection
- NACE capability option available

Ambient Temperature Range

- -20 to +80 °C (-4 to +176 °F)

Working Pressure

- Up to 12 bar (145 psi) maximum inlet pressure

Maximum Flow

- 402 l/min (14.2 SCFM)
(at 6.0 bar with 1.0 bar differential)

Ports NPT (BSP option available)

- 1/8" NPT



Operating Media

- Gases – filtered lubricated or non-lubricated air, inert gas, sweet (natural) and sour gases
- Liquids – low pressure hydraulic, mineral oil or water (please consult factory)

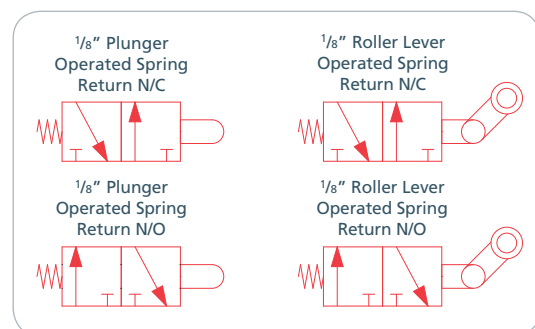
Construction Materials

- Body and trim: 316L stainless steel
- Springs: 316 stainless steel
- Seals: Nitrile

Drawings and 3D models for all valves and solenoid options available on request

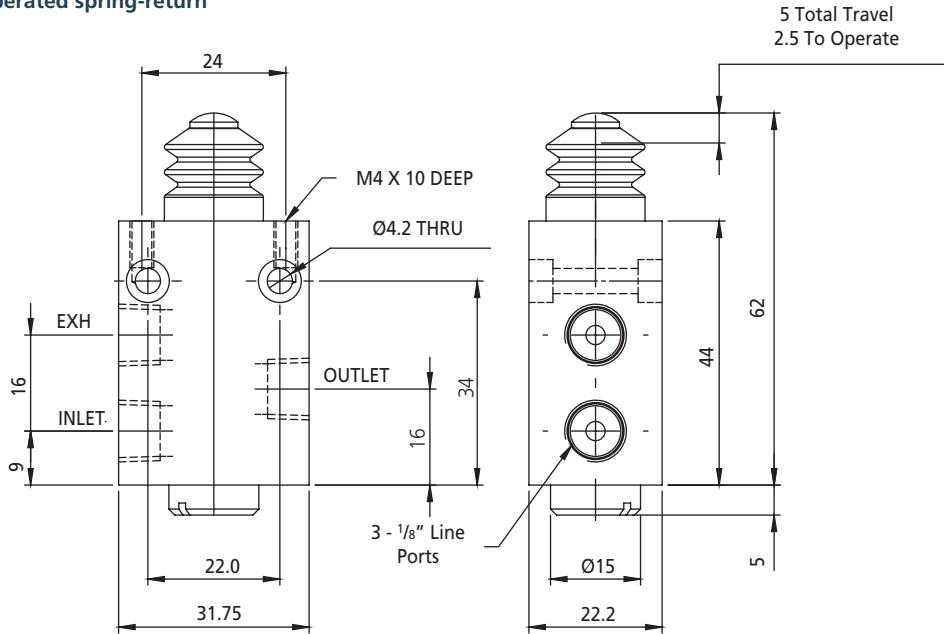
| Product Code | Size | Description | Mass (kg) | Operating Force | | Cv |
|--------------|------|---|-----------|-----------------|-----|------|
| | | | | N | lbf | |
| 1323M62-SM2B | 1/8" | Plunger operated, spring-return, N/C | 0.21 | 44 | 9.9 | 0.26 |
| 1324M62-SM2B | 1/8" | Plunger operated, spring-return, N/O | 0.22 | 80 | 18 | 0.26 |
| 1323M82-SM2B | 1/8" | Lever roller operated, spring-return, N/C | 0.28 | 20 | 4.5 | 0.26 |
| 1324M82-SM2B | 1/8" | Lever roller operated, spring-return, N/O | 0.29 | 36 | 8.1 | 0.26 |

Certification options available



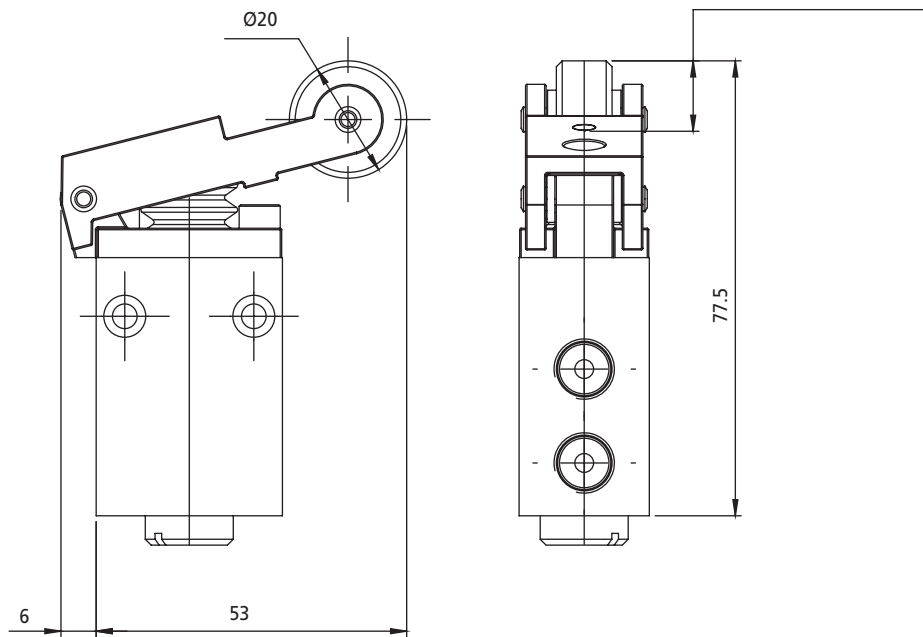
1750 Series Poppet Valve – 3/2 Plunger operated spring-return

3/2 Plunger operated spring-return



5 Total Travel
2.5 To Operate

3/2 Roller lever operated spring-return



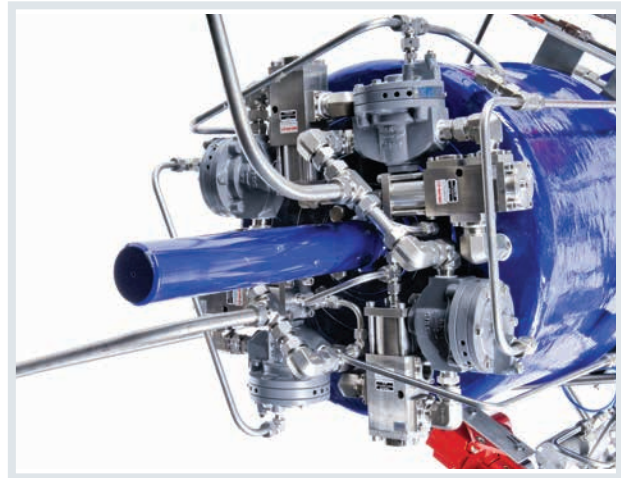
12 Total Travel
6 To Operate

Oil & Gas industries

rotork® MIDLAND

Since our founding in 1956, we have been known internationally as one of the oil & gas industries premier designers and manufacturers of 316L stainless steel control equipment. Over the years we have developed an enviable reputation for high quality products, reliability and innovation.

We have the ability to investigate problems and provide comprehensive solutions for the control of hydraulic and pneumatic actuated process control valves across a broad range of industries and markets. This, coupled with repeatedly delivering impressive results worldwide, sets us apart from our competitors.



rotork® Instruments

Rotork Instruments are experts in flow control, pressure control, flow measurement and pressure measurement.

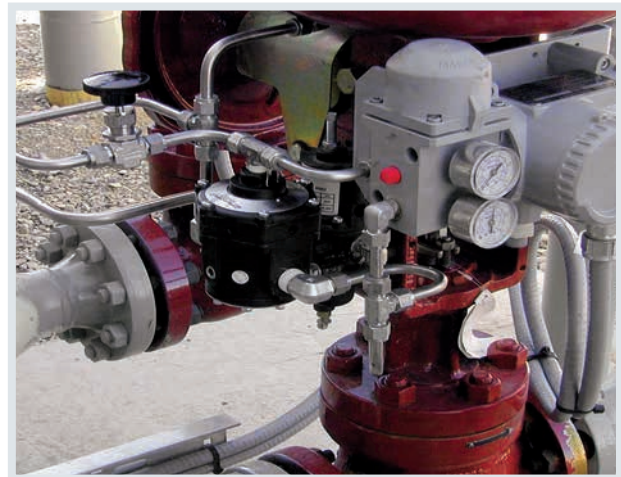
We manufacture products and components that are trusted for applications where high precision and reliability are required.

Rotork Instruments has manufacturing facilities in USA, Italy, Brazil, India, China and Singapore.

The Rotork global sales and service network supports all Rotork Instruments products. This network is the biggest global actuation support organisation in the world with direct sales offices and agents in all industrialised countries.

Customer service and field support provides quick and effective response to customer requirements.

The Rotork Site Services network is represented throughout the world and provides valuable service and assistance to all industries.



Service and Support

rotork® Site Services

In each of our divisions, Site Services staff are dedicated to providing customer service and support, carrying out new installations and delivering retrofit projects. These teams are based out of service centres around the world and are complemented by factory-trained agents.

Our expert technicians support Rotork customers, allowing us to deliver on our promise of global solutions backed by local service.

Visit www.rotork.com to identify your nearest Rotork location.



Client Support Programme

Rotork offers a premium level of product reliability and availability through the flexible Client Support Programme (CSP). Designed to facilitate the highest production demands while providing a tiered approach to maintenance, the CSP is committed to reducing maintenance downtime and costs.

Through consultation, the CSP is tuned to deliver the optimum level of maintenance through predictive maintenance algorithms.

Features of the CSP are:

- Fixed term prices for Rotork products and services
- Customisable cover based on equipment criticality to production
- Equipment performance related targets for reliability and availability
- Priority support with customisable response times
- Fully parts and labour inclusive, no additional costs or discounted labour and parts
- Fix or replace options
- Periodic equipment performance and status reports
- Built-in regular health checks on all equipment

Benefits of the CSP include but are not limited to:

- Year-on-year reduced maintenance costs
- Easy budget management
- Maximised production resulting in reduced downtime
- Year-on-year improved reliability and availability
- Optimised resource usage to accelerate in-house projects
- Reduced lifecycle costs



rotork®

Redefining Flow Control

www.rotork.com

A full listing of our worldwide sales and service network is available on our website.

Rotork Midland Ltd.
Patrick Gregory Road
Wolverhampton
WV11 3DZ, UK
tel +44 (0)1902 305 678
fax +44 (0)1902 305 676
email sales.midland@rotork.com

Scan with your smart phone
for more information on
this product range



PUB117-006-00
Issue 05/15

As part of a process of on-going product development, Rotork reserves the right to amend and change specifications without prior notice. Published data may be subject to change. For the very latest version release, visit our website at www.rotork.com
The name Rotork is a registered trademark. Rotork recognises all registered trademarks. POWSH0515.
Published and produced in the UK by Rotork Controls Limited. Registered office: Rotork plc, Brassmill Lane, Bath, BA1 3JQ, UK.