

## FIELD MOUNTED PROCESS INDICATOR

8080MN

- 4 TO 20 mA INPUT
- 4 DIGIT LED DISPLAY IN ENGINEERING UNITS
- CHOICE OF COPPER-FREE ALUMINUM OR SS316 ENCLOSURE
- AUX POWER SUPPLY FOR TRANSDUCER (24V DC)
- EXPLOSION PROOF CERTIFIED
- 3 YEAR WARRANTY



### Introduction

IME Model 8080MN Digital Process Indicator allows the process variable from any transmitter to be monitored in the field. Since the unit can also provide 24V DC to the transmitter, the unit can be used to power any 2-wire transmitter in the field.

### Description

IME Model 8080MN Indicators are designed for use in process industries where vibration, inclement weather and corrosive atmospheres prevail. The electronics are enclosed in a copper-free epoxy coated Aluminum housing and for more aggressive environments, a SS316 housing is optionally available. The housings meet the requirements of NEMA 4X & IP68, and are also certified Explosion Proof by FM/CSA/ATEX/IECEX.

### LED Meter

The Model 8080MN has 4 digit display and can be configured to read from 999 to 9999 with a 4~20 mA input signal. The decimal point location, engineering units, alarm settings, etc can be adjusted using membrane key on the front panel.

### Mounting

The Model 8080MN can be wall mounted or mounted on a 2" pipe. For mounting the unit on a wall or 2" pipe, a wide choice of stainless steel mounting brackets are also available.

### Functional Specifications

#### Indication Accuracy

0.1% of calibrated range  $\pm 1$  digit

#### Calibration

Via membrane switches on the front panel

#### Display Height

10mm (0.4") high

#### Stability Over Time

0.1% of calibrated range  $\pm 1$  digit over 6 months

#### Over Range Indication

Indication of "HIGH" on Display

#### Response Time

Typically 200 ms

#### Operating Temperature

-40 °C to +60 °C

#### Weight

0.9Kg (2 lbs) for Aluminum Unit and 1.4Kg (3 lbs) for SS316 Unit

#### Material of Construction of Enclosure

Epoxy coated Copper-Free Aluminum or SS316 as specified






#### O Rings

Buna N (Nitrile)

#### Optional Accessories

Mounting Brackets (Model 175PM, 175RC, 175NR, 175MM)

### Certification System

	CLASS I, DIV I GROUPS B, C AND D CLASS II/III, DIV I GROUPS E, F AND G NEMA 4X, T6	
	CLASS I, DIV I GROUPS B, C AND D CLASS II/III, DIV I GROUPS E, F AND G NEMA 4X, T6	
	II 2G D Ex d IIC T6 Gb Ex tb IIIC T85 °C Db IP68 Ta = -40 °C to +60 °C	
	Ex d IIC T6 Gb Ex tb IIIC T85 °C Db IP68 Ta = -40 °C to +60 °C	

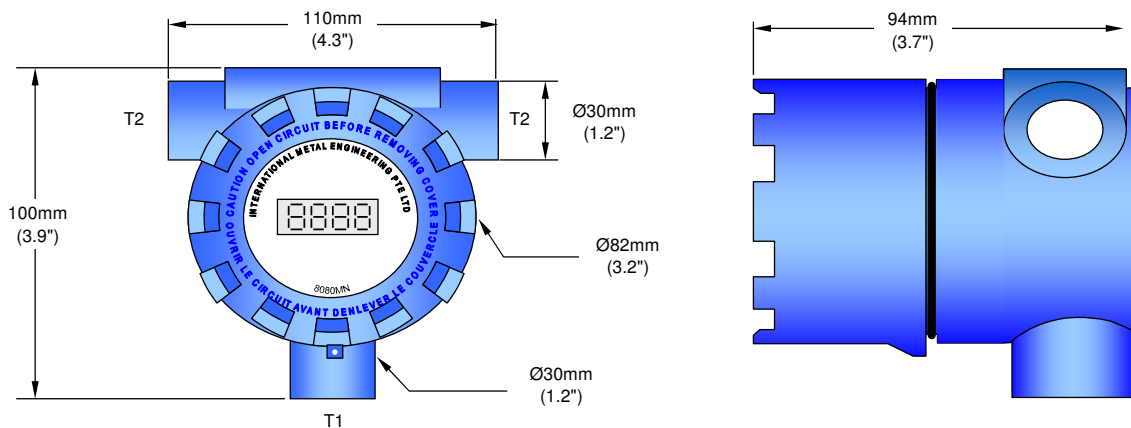
# INTERNATIONAL METAL ENGINEERING

## ORDERING INFORMATION FOR 8080MN

Model	Description
8080MN	Field Mounted Process Indicator
	<b>Code</b> <b>Options, Housing</b>
	<b>A</b> Die cast Aluminum, Epoxy Coated
	<b>T</b> SS316, Electro Polished
	<b>Code</b> <b>Instrument Connection (T1)</b> <b>Conduit Size (T2)</b>
	<b>01</b> M16 x 2P (See note 1)    3/4" NPT
	<b>02</b> M16 x 2P (See note 1)    1/2" NPT
	<b>03</b> M16 x 2P (See note 1)    M20 x 1.5P
	<b>04</b> 1/2" NPT    3/4" NPT
	<b>05</b> 1/2" NPT    1/2" NPT
	<b>06</b> 1/2" NPT    M20 x 1.5P
	<b>07</b> 3/4" NPT    3/4" NPT
	<b>08</b> 3/4" NPT    1/2" NPT
	<b>09</b> 3/4" NPT    M20 x 1.5P
	<b>10</b> 1/2" BSP    3/4" NPT
	<b>11</b> 1/2" BSP    1/2" NPT
	<b>12</b> 1/2" BSP    M20 x 1.5P
	<b>13</b> 3/4" NPT    None
	<b>14</b> M20 x 1.5P    None
	<b>16</b> 1/2" BSP    None
	<b>17</b> 1/2" NPT    None
	<b>Code</b> <b>Certification</b>
	<b>NN</b> None
	<b>E1</b> FM / CSA / ATEX / IECEx Explosion Proof Certified, NEMA 4X, IP68, T6
	<b>Code</b> <b>Accessories</b>
	<b>RC</b> Model 175RC Mounting Bracket (See note 1)
	<b>PM</b> Model 175PM Mounting Bracket (See note 1)
	<b>NR</b> Model 175NR Mounting Bracket
	<b>MM</b> Model 175MM Mounting Bracket
	<b>Code</b> <b>2 Inch "U" Bolt with Nuts and Washers</b>
	<b>00</b> None
	<b>01</b> Model 17508, 1 Set (For Model 175RC)
	<b>02</b> Model 17508, 2 Sets (For Model 175PM & 175NR)
<b>8080MN</b>	<b>A    04    E1    MM    00</b> ← <b>Typical Model Number</b>

Note:

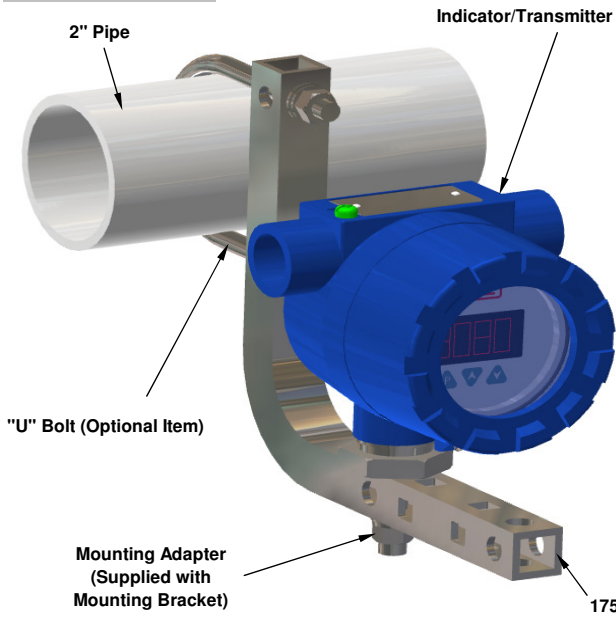
- 1 Ports with M16 x 2P thread are not through holes, they are for use with Model 175RC and 175PM Mounting Brackets only.



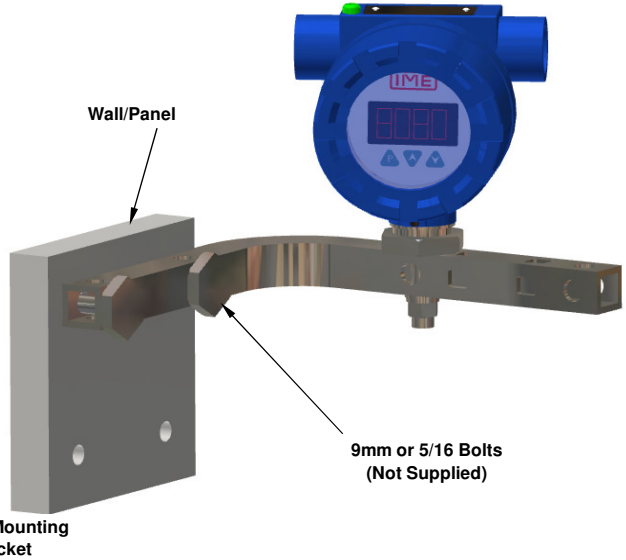
**MOUNTING BRACKETS FOR INDICATORS AND TRANSMITTERS**

**Mounting Methods For Model 175RC**

**Pipe Mounting**

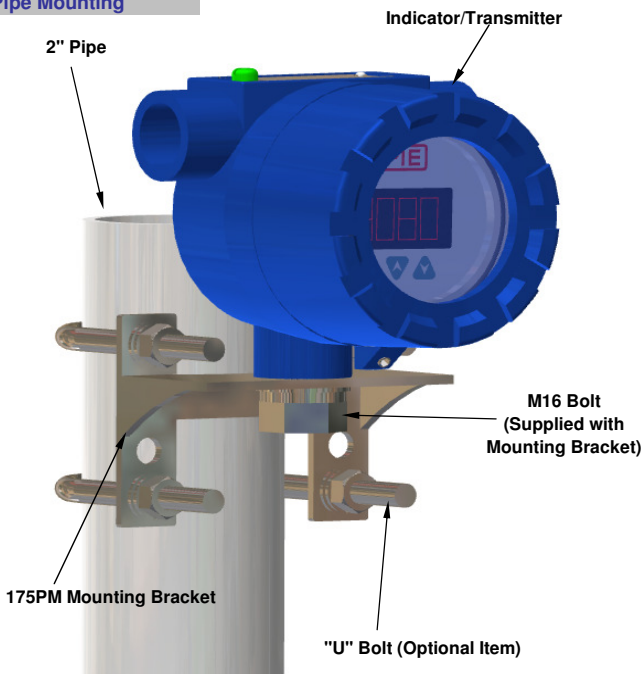


**Wall / Panel Mounting**

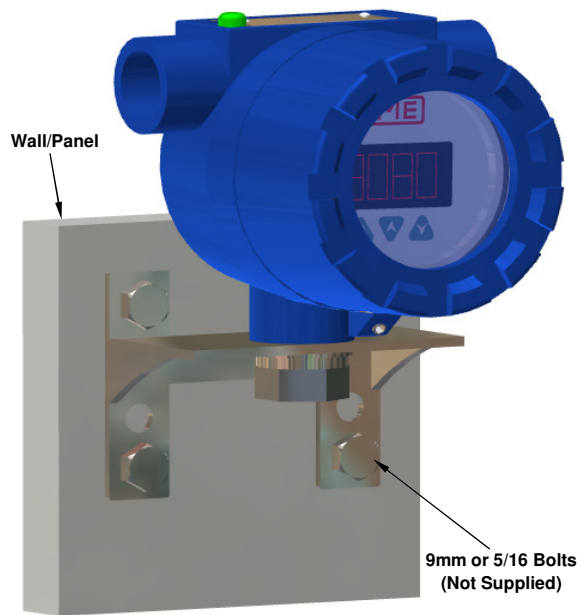


**Mounting Methods For Model 175PM**

**Pipe Mounting**



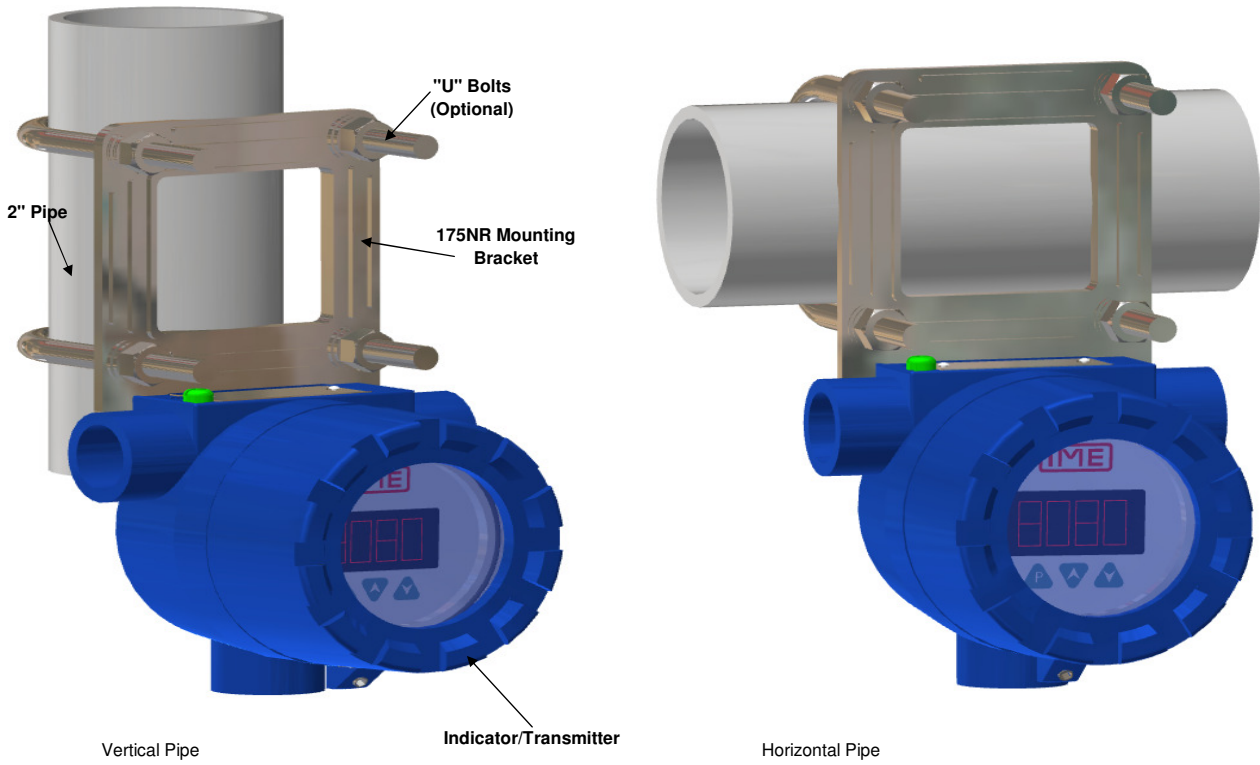
**Wall / Panel Mounting**



**MOUNTING BRACKETS FOR INDICATORS AND TRANSMITTERS**

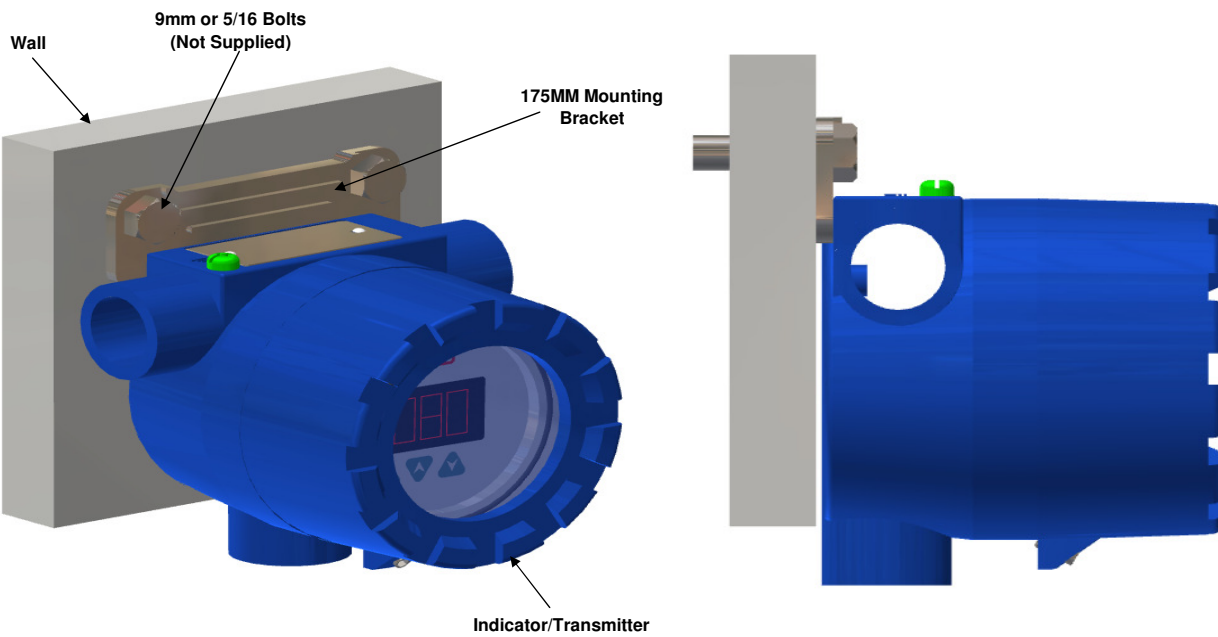
**Mounting Methods For Model 175NR**

**Pipe Mounting**



**Mounting Methods For Model 175MM**

**Wall/Panel Mounting**



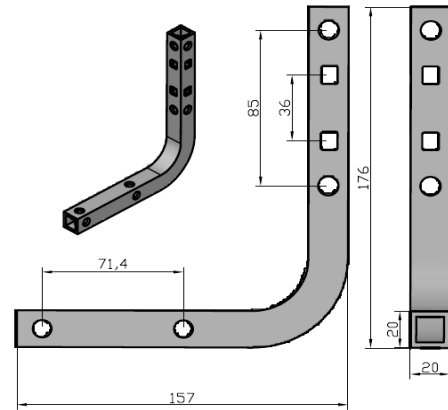
**Mounting Bracket**

**175RC**

**Introduction**

This simple hollow square mounting bracket constructed out of SS316 Stainless Steel, can be used to mount a variety of field devices, either on a wall or panel or a 2" Pipe.

When mounting on a 2" pipe, a "U" Bolt is required, which can be supplied optionally.  
 IME Model 17508 consists of a complete assembly of a 2" U bolt along with the nuts and washers required.



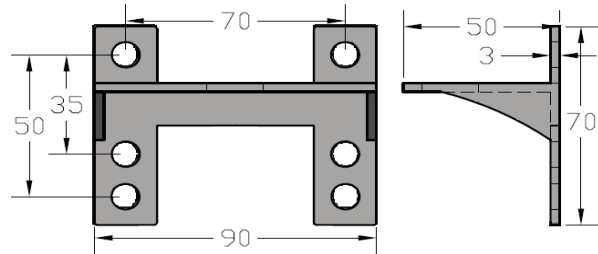
**Mounting Bracket**

**175PM**

**Introduction**

This simple "L" Shape mounting bracket constructed out of SS316 Stainless Steel, can be used to mount a variety of field devices, either on a wall or panel or on a 2" pipe.

When mounting on a 2" pipe, a "U" Bolt is required, which can be supplied optionally.  
 IME Model 17508 consists of a complete assembly of a 2" U bolt along with the nuts and washers required.



**Mounting Bracket**

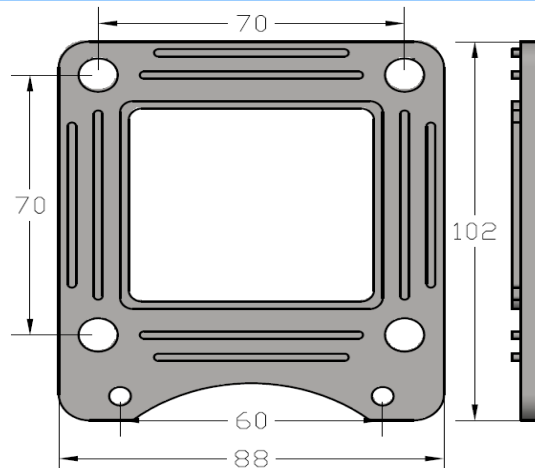
**175NR**

**Introduction**

IME MODEL 175NR is Stainless Steel Mounting Brackets made exclusively for IME MODEL 8080 Instrument Enclosure to mount on a 2" Pipe.

This Bracket is available for customers who require all 3 ports on the enclosure for other purposes.

The 175NR is symmetrical, so it can be rotated 90° to suit the viewing position of the Indicator/Transmitter.



**Mounting Bracket**

**175MM**

**Introduction**

IME MODEL 175MM is Stainless Steel Mounting Brackets made exclusively for IME MODEL 8080 Instrument Enclosure to mount on wall.

This low cost Bracket is available for customers who require all 3 ports on the enclosure for other purposes.

