

**Mounting Bracket**

**175RM**

**Introduction**

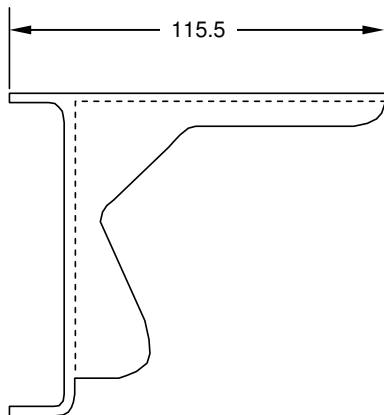
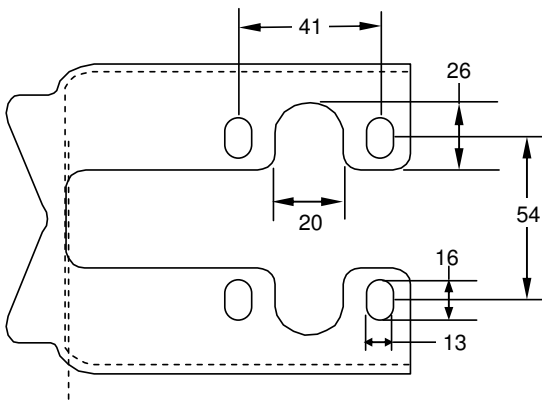
This is a traditional mounting bracket for pressure transmitter with provision for drain/vent valves.

Can be used to mount a transmitter either in a vertical or horizontal plane on to a 2" pipe, using a standard "U" Bolt.



**Drawing**

All dimensions are in Millimeter(mm)



**Specifications**

**Material of Construction:**

SS316

**Finish**

Electro Polish

**Mounting Method**

Pipe(2") Mounting

**Weight**

1.57LBS (715g) (not including Accessories)

**Accessories**

2 Inch "U" Bolt, Screws, Nuts and Washers

