

5050

SUBSEA / SUBMERGED LOAD PIN

Design for underwater applications.

Model 5050



Features

- Custom made dimensionning
- Sturdy design
- Stainless steel
- Protection IP68
- Easy to install
- Depth : till -5000 m (-16 404 ft) (deeper on request)
- Cable length: 6m
- Available options (non exhaustive list) :
 - o ATEX intrinsic safety Ex II 1GD Ex ia IIC T6 or T4 Ga Ex ia IIIC T80 C Da
 - o ATEX explosion proof Ex II 2 G Ex d IIB T6 Gb
 - o ATEX "d" $\varnothing \geq 65$
 - o amplified output (V or mA)
 - o cable assembly with wet meatable connector

Applications

- Shipbuilding
- Monitoring System
- Tank test
- Oil Search
- Work at sea

Capacities

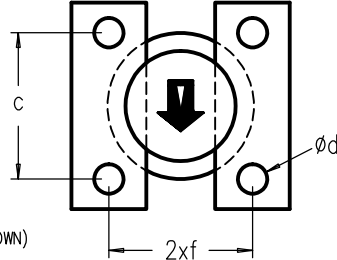
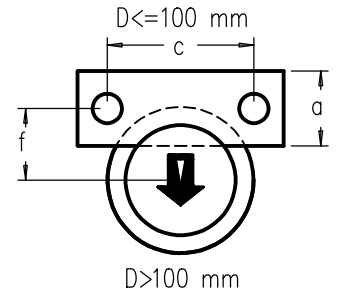
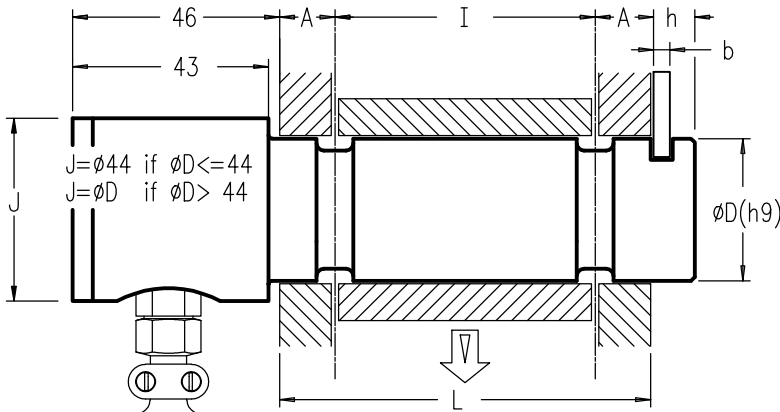
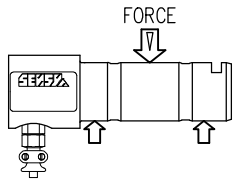
- from 0.5 to 125t (dimensions : see next page)
- from 140t to 3000t (dimensions on request)

Specifications	SL - FORCE	SL - HOIST	
Repeatability error	$< \pm 0.25$	$< \pm 0.25$	% F.S.
Creep error over 30 min.	$< \pm 0.3$	$< \pm 0.3$	% F.S.
Zero shift after loading	$< \pm 0.5$	$< \pm 0.5$	% F.S.
Reference temperature	23	23	C
Nominal temperature range	-10...+45	-10...+45	C
Service temperature range	-30...+70	-30...+70	C
Storage temperature range	-50...+85	-50...+85	C
Temperature coefficient of the sensitivity	$< \pm 0.2$	$< \pm 0.2$	% F.S./10 C
Temperature coefficient of zero signal	$< \pm 0.2$	$< \pm 0.2$	% F.S./10 C
Zero balance	± 0.02	± 0.02	mV/V
Input resistance	352 ± 2	352 ± 2	Ohm
Output resistance	352 ± 2	352 ± 2	Ohm
Insulation resistance (50V)	> 5000	> 5000	Megaohm
Reference excitation voltage	10	10	VDC
Nominal range of excitation voltage	3..12	3..12	VDC
Nominal sensitivity	1.5	1	mV/V
Safe load limit	150	200	% F.S.
Breaking load	> 300	> 500	% F.S.
Static lateral force limit	100	150	% F.S.
Permissible dynamic loading	50	75	% F.S.

F.S.: full scale - Specifications subject to change without notice

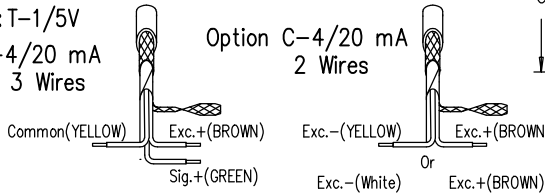
LOAD CELLS

model 5050 stainless steel
 Range 1-1000 t. IP68 (option: ATEX "d" $\phi \geq 65$)
DOUBLE SHEAR BEAM AXLE
 Cable length : 6 m

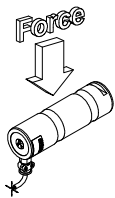


Option: T-1/5V
 or J-4/20 mA
 3 Wires

Option C-4/20 mA
 2 Wires



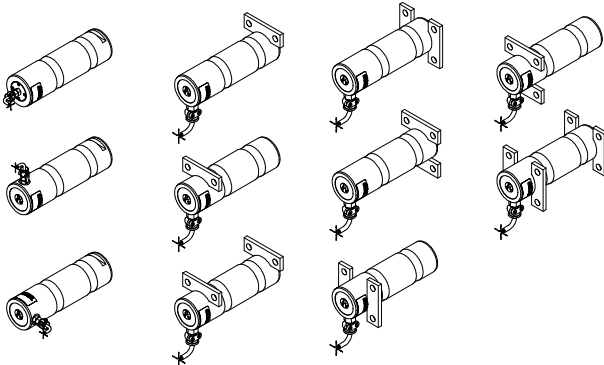
Exc.-(YELLOW) Exc.+(BROWN)
 Sig.-(WHITE) Sig.+(GREEN)
 Standard cable
 4x0.34 mm/2



REFERENCE DIMENSIONS										DIMENSIONS STANDARD		
CAP.(t)	φD(h9)	A(min)	I(min)	a	b	c	φd	f	h	φD RANGE	a,b,c,φd,f,h	
0.5	25	7...10	20	25	6	50	11	18	12	25 - 28	Depending directly on the diameter according to DIN 15058	
1.5	30	12	25					22		28 - 35		
2	32		30					23		32 - 40		
3	36		35					24		35 - 45		
4	40		40					26		36 - 50		
6.3	44	14	50					30		8		70
8	49			35	32.5	45 - 60						
10	54			40	35	50 - 65						
16	59			40	36	55 - 79						
20	64	37.5	60 - 88									
30	70	15	50	40	10	100	17	45	20	65 - 99		
40	88	18	60					52		76 - 105		
63	98		70					56		90 - 130		
80	108	20	80	50	12	140	21	60	25	100-140		
100	120	40						70		118-150		
125	128	45						72.5		120-160		
140 - 1000 t			to customer design specifications							139-450		

Some configurations

Configurator on www.loadpin.com



Excitation - Yellow
 Signal + Green
 Signal - White
 Excitation + Brown
 } Standard cable

Cable screen not connected to transducer
 Option f : Cable screen connected to transducer
 (Amplifier in option)

Cable screen connected to transducer for option t,C,J