

THE TANK (FAIL SAFE AIR TANK)

The SOLDO TANK AT Series Fail Safe Air Tank provides a compact design and the most economical solution when used with a double acting actuator over the cost of an equivalent torque spring return actuator.

(RUGGED DESIGN)

The TANK can be operated up to 200 psi at 650°F (343°C) and is an ASME coated to Section VIII Division I. The TANK is constructed of carbon steel and polyester powder coated.

(STANDARDIZED MOUNTING)

The TANK utilizes hat-style bracket design which is saddle welded onto The TANK. The unique hat-style bracket allows easy wrench access for installing the TANK.

(OUTDOOR APPLICATION)

The TANK can be used indoors or outdoors.

(PRE-TUBED)

Each TANK is pre-tubed for 1/4", 1/2", or 3/4" npt.

(COST ADVANTAGE)

The TANK creates a cost effective option. For example, given sizing for an actuator at 60 psi of pressure and a valve torque of 2500 in-lb, a standard spring return actuator would cost approximately \$3,800. A much smaller double acting actuator can be used costing around \$1,800 including the price of the TANK. That is almost \$2000 saved!

(SIZING YOUR TANK)

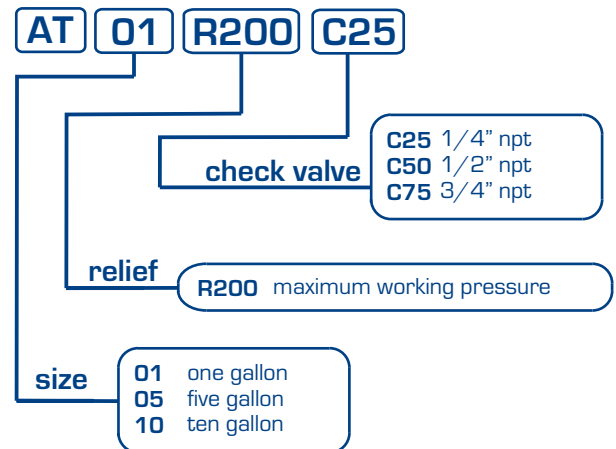
Pressure (psi) sized with 20 psid

$P_1V_1 = P_2V_2$	60	80	100	125
10	15.00	13.33	12.50	11.90
15	22.50	20.00	18.75	17.86
25	37.50	33.33	31.25	29.76
40	60.00	53.33	50.00	47.62
65	97.50	86.67	81.25	77.38
110	165.00	146.67	137.50	130.95
150	225.00	200.00	187.50	178.57
200	300.00	266.67	250.00	238.10
300	450.00	400.00	375.00	357.14
600	900.00	800.00	750.00	714.29
1000	1500.00	1333.33	1250.00	1190.48
1200	1800.00	1600.00	1500.00	1428.57

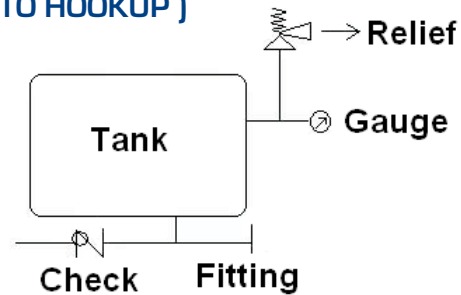
Tank Size: 1 Gallon 5 Gallon 10 Gallon



(ORDERING GUIDE)



(HOW TO HOOKUP)



(SPECIFICATIONS AND CONSTRUCTION)

Construction: Powder Coated Carbon Steel
 Gauge: Stainless Steel 0-160 psi
 Pin Connector: 316 Stainless Steel or Aluminum with Vinyl
 TANK Approvals: Rated to 200 psi at 650°F (343°C)
 ASME Section VIII Div I

SOLDO USA LLC

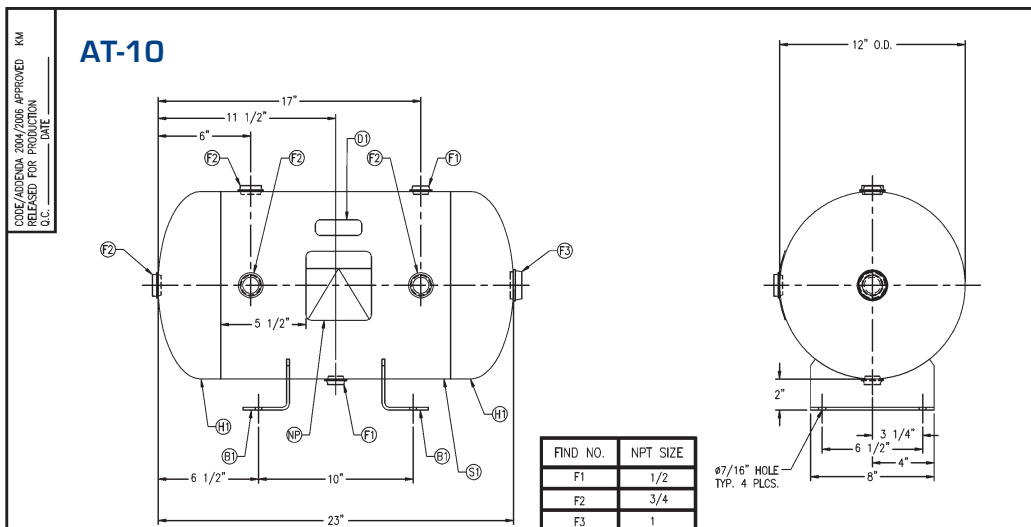
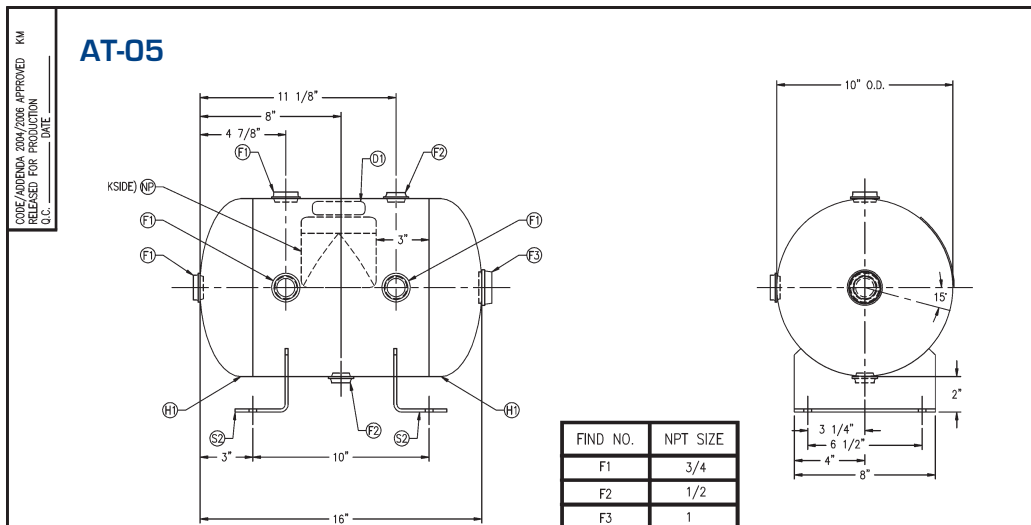
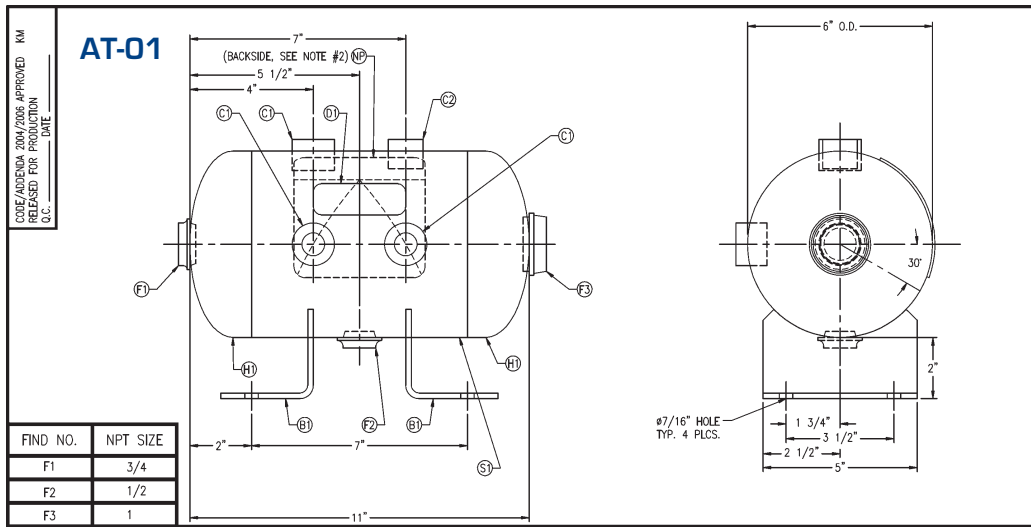
10178 International Blvd. - Cincinnati, Ohio 45246
 tel. (513) 860-5465 - fax (513) 860-5464
 e-mail: usa@soldo.net



BULLETIN NUMBER: PS00096-03

THE TANK (FAIL SAFE AIR TANK)

(DIMENSION inch)



SOLDO
CONTROLS

BULLETIN NUMBER: PS00096-03

SOLDO USA LLC
10178 International Blvd. - Cincinnati, Ohio 45246
tel. (513) 860-5465 - fax (513) 860-5464
e-mail: usa@soldo.net