

# 5300

# STANDARD LOAD PIN

Load pin with standard dimensions.

Model 5300 - 500 kg



### Features

- CE certified for hoisting applications
- Sturdy design
- Stainless steel
- Protection IP 65
- Easy to install
- Complete range of "CE" certified electronics and load limiters
- Cable length: 6m
- Available options (non exhaustive list):
  - o ATEX intrinsic safety Ex II 1GD Ex ia IIC T6 or T4 Ga Ex ia IIIC T80 C Da
  - o amplified output (V or mA) and digital output signal (RS-232C, RS-485, USB)
  - o protection IP67 or special for marine environment
  - o high service temperature (up to 180 °C)
  - o axial connector
  - o axial or radial cable gland

### Applications

The SENSY's load cell 5300 is perfectly designed to the following applications :

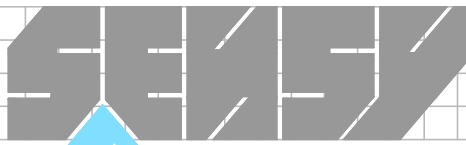
SL - HOIST : Hoisting devices and crane's security in combination with a load limitation electronic: (BRIDGEBOY, CRANEBOY, ...)

### Capacities

5300 : 0.5 - 1 - 2 - 3 - 5 - 10 - 20 - 30 - 50 - 75 - 100 t - 125t

Specifications	SL - HOIST	
Repeatability error	< ± 0.25	% F.S.
Creep error over 30 min.	< ± 0.3	% F.S.
Zero shift after loading	< ± 0.5	% F.S.
Reference temperature	23	°C
Nominal temperature range	-10...+45	°C
Service temperature range	-30...+70	°C
Storage temperature range	-50...+85	°C
Temperature coefficient of the sensitivity	< ± 0.2	% F.S./10 °C
Temperature coefficient of zero signal	< ± 0.2	% F.S./10 °C
Zero balance	± 0.02	mV/V
Input resistance	352 ± 2	Ohm
Output resistance	352 ± 2	Ohm
Insulation resistance (50V)	> 5000	Megaohm
Reference excitation voltage	10	VDC
Nominal range of excitation voltage	3..12	VDC
Nominal sensitivity	1	mV/V
Safe load limit	200	% F.S.
Breaking load	> 500	% F.S.
Static lateral force limit	150	% F.S.
Permissible dynamic loading	75	% F.S.

F.S.: full scale - Specifications subject to change without notice



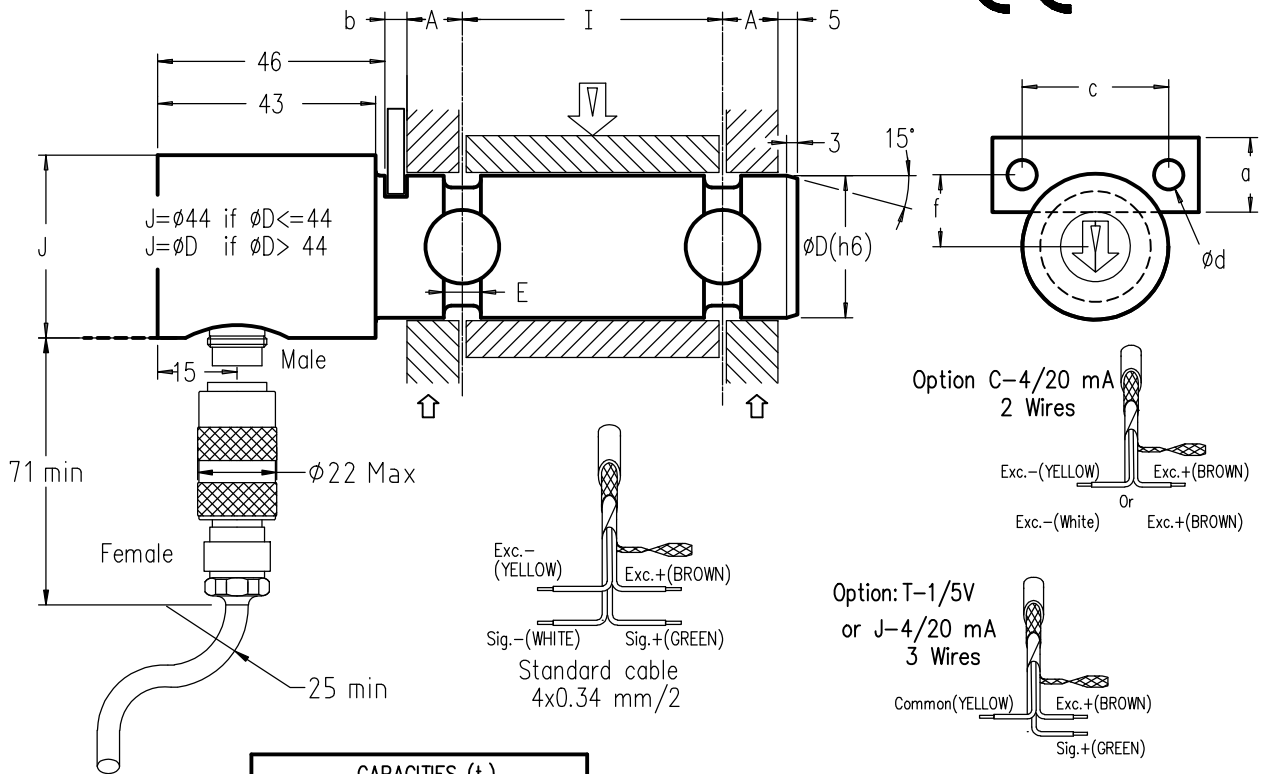
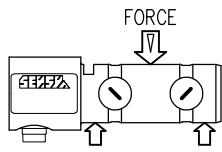
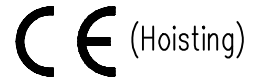
www.sensy.com

# LOAD CELL

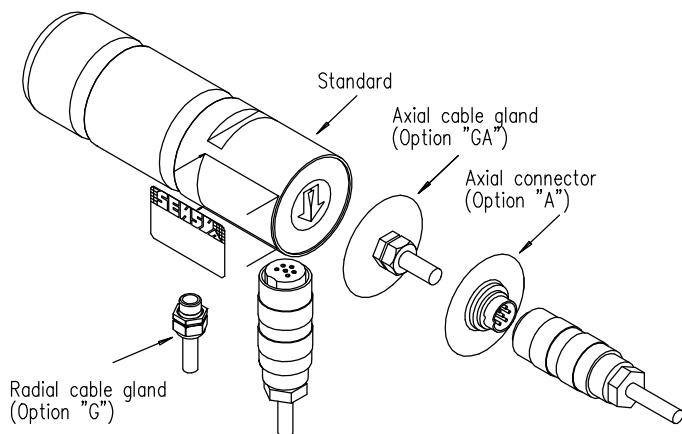
**model 5300** stainless steel  
 Range 0.5–125t IP65  
**DOUBLE SHEAR BEAM AXLE**  
 Cable length: 6m



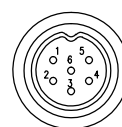
ATEX CERTIFIED



STANDARD DESIGN	CAPACITIES (t.)			$\phi D$	A	E	I	a	b	c	$\phi d$	f	Weight						
	FORCE	HOIST	LIFT																
	0.8	0.5	0.25	25	13.5	8	31	25	6.5	50	11	20.5	0.8 kg						
	1.6	1	0.5																
	3.3	2	1																
	5	3	1.5																
	8.3	5	2.5	35	18	10	47	30	8.5	70	13	33	2.6 kg						
	16.6	10	5																
	30	20	10	65	32.5	18	90												
	50	30	15																
	75	50	-	75	49	20	117							40	10.5	100	17	47	7.5 kg
	100	75	-																
	125	100	-	100	72.5	35	155							50	12.5	140	21	56	22 kg
				120															



## FEMALE-MALE CONNECTOR DIN 45322



- | CONTACT N° |            |          | } Standard cable |
|------------|------------|----------|------------------|
| 1          | Excitation | - Yellow |                  |
| 2          | Signal     | + Green  |                  |
| 3          | Signal     | - White  |                  |
| 4          | Excitation | + Brown  |                  |
| 5          | Sense      | - Grey   |                  |
| 6          | Sense      | + Pink   |                  |

Cable screen not connected to transducer  
 Option f : Cable screen connected to transducer  
 (6 wires cable in option)

Cable screen connected to transducer for option t,C,J