

MODEL 377CB 2 VALVE MANIFOLD

ISOLATING AND CALIBRATING

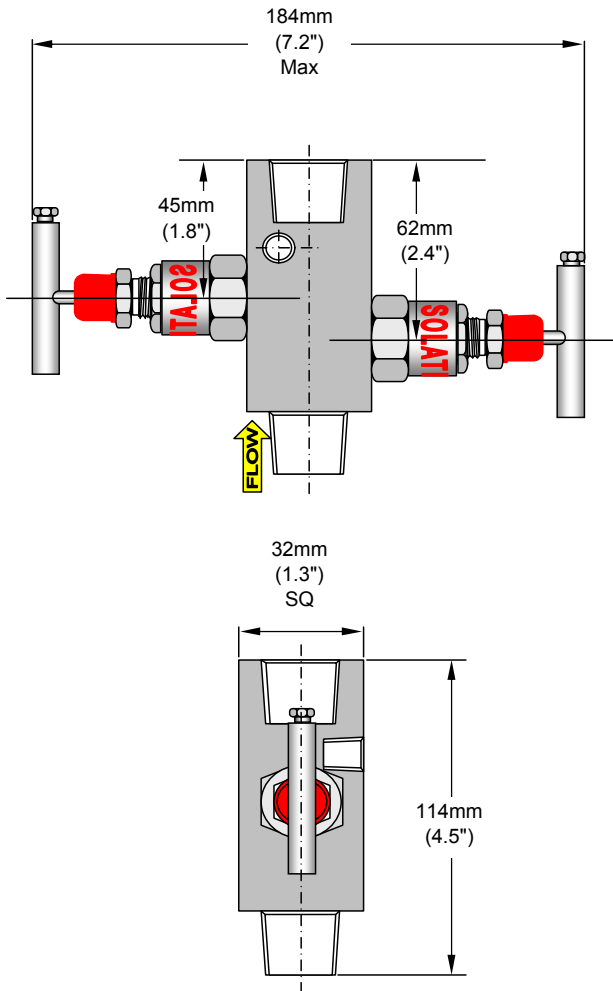
The Model 377CB valve has been designed as an economical and compact valve and yet provide the facilities for remote mount double block and bleed function.

Connections can be 1/2" NPT male and female as shown with a 1/4" gauge / vent port available on each side of the body.

This design is suitable for applications up to 6,000psi (420Bar)



Introduction



Specifications

Material of Construction:

SS316, Carbon Steel, Monel, Hastelloy

Test Pressure (at 25°C Room Temperature)

Hydrostatic:	Body	-	620Bar
	Seat	-	415Bar
Pneumatic:	Seat	-	40Bar

Gland Packing

PTFE	:	Standard
Graphoil	:	Temperatures Above 180°C

Finish

CS: Zinc Plated; SS: Natural

Connection:

See below

Weight

1.50LBS (700g)

Accessories

None

Order Information

Model	Description		
377CB	2 Valve Manifold, Female x Female connection		
	Code	Inlet	Outlet
	01	1/2" NPT(M)	1/2" NPT(M)
	02	1/2" NPT(M)	1/2" NPT(F)
	03	1/2" NPT(F)	1/2" NPT(M)
	04	1/2" NPT(F)	1/2" NPT(F)
	Code	Materials of Construction	
	S2	SS 316	
	CS	Carbon Steel	
	MN	Monel 400	
	HA	Hastelloy C	
	XX	Other (Specify)	
	Code	Packing Material	
	TF	Teflon	
	GR	Grafoil	
	XX	Other (Specify)	
377CB	03	S2	TF