

L1705C

Luminaires For Use In Hazardous Locations

*Please specify the required glass globe type.

CID2
Group
A, B, C, D

CIID1
Group
E, F, G

IP67

NEMA
6



Clear Glass Globe



Prismatic Glass Globe



With Accessory "Guard"

Protection

- Class I, Division 2, Group A, B, C and D
- Class II, Division 1, Group E, F and G
- Class III

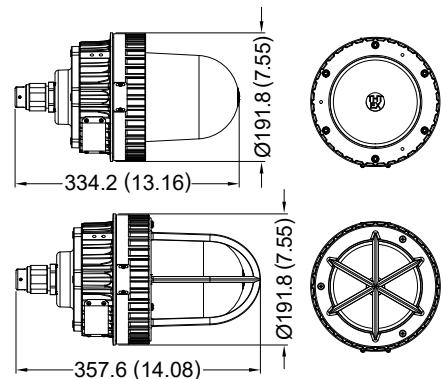
Standards

UL 844
UL 1598 Luminaires
UL 8750
CSA C22.2 No. 137-M1981
CSA C22.2 No. 25-1966
CSA C22.2 No. 250.0
CSA C22.2 No. 250.13

Net Weight: 9.5 kg (20.9 lb)

Technical Data

Rated Voltage (±10%)	120V / 277V / 480V AC, (480V only COB 80W)				
Watts (±10%)	COB / DOB: 40W / 50W / 70W / 80W				
Amps	40W 120V: 0.33A, 277V: 0.14A / 50W 120V: 0.42A, 277V: 0.18A / 70W 120V: 0.58A, 277V: 0.25A / 80W 120V: 0.67A, 277V: 0.29A, 480V: 0.17A				
Color of LED Light	3000K (Warm White) / 5000K (Cool White)				
Ambient Temperature	CID2: -40°C ~ +40°C, T3C / CIID1: +40°C, T4A				
Lumen (±10%)	COB/DOB	40W	50W	70W	80W
	3000K	3600lm	4500lm	6300lm	7200lm
	5000K	4000lm	5000lm	7000lm	8000lm
Beam Angle	X-170° / Y-170°				
Power Factor	$\cos \geq 0.9$, $\cos \geq 0.87$ (480V)				
CRI	Cool White ≥ 70 / Warm White ≥ 80				
Frequency	50 / 60 Hz				
Degree of Protection	IP67 / NEMA 6				
Material: Enclosure	Aluminum alloy				
LED Service Life	60,000 hrs				
Entrance Thread	1 × NPT 3/4" or 1 × M25				

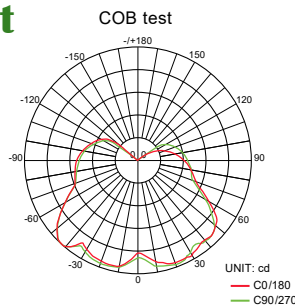


Dimension in Millimeters (inches)

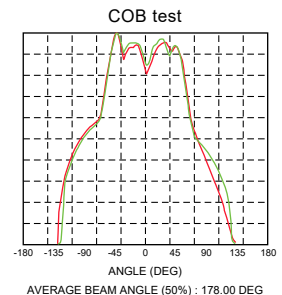
▲ Illumination angle 360°

Optical Report

Polar Luminous Intensity Distribution



Luminous Intensity Distribution Diagram

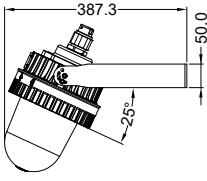
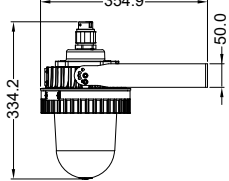
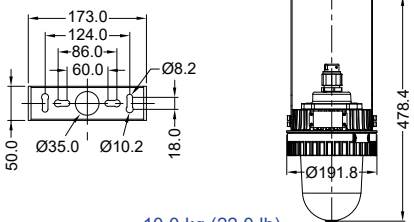
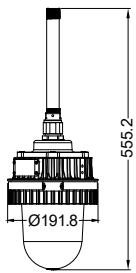
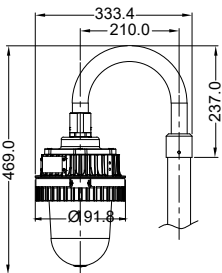
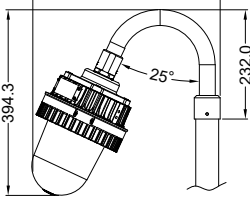
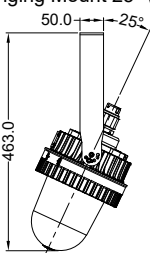
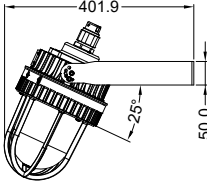
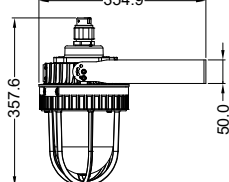
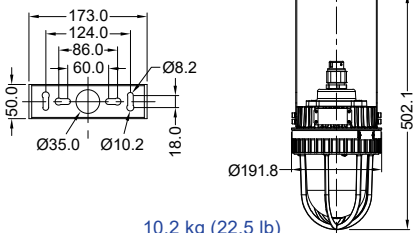
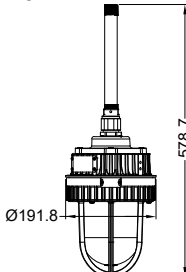
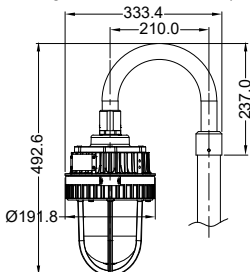
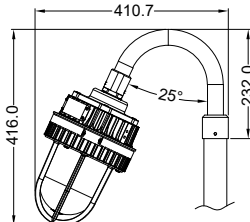
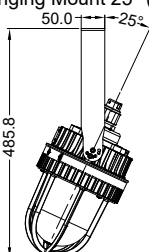


Model Code

THT	H	1705	C	B	B	C	6	D0	S25	G
					①	②	③	④	⑤	⑥

- ① **Type of LED Module**
A=DOB type LED
B=COB type LED
- ② **C.C.T.**
C=Cool White
W=Warm White
- ③ **Voltage**
6=120V
9=277V
C=480V(COB 80W only)
- ④ **Wattage**
D0=40W, E0=50W
G0=70W, H0=80W
- ⑤ **Mounting Bracket Type**
W25/90=Wall mount 25°/90°
H25/90=Hanging mount 25°/90°
P90=Straight Electrical Tube
S25/90=Bending Electrical Tube 25°/90°
PAN=Pan Mounting - C Brand
PANA=Pan Mounting - A Brand
PANK=Pan Mounting - K Brand
- ⑥ **Optional Accessory**
G=Guard
(Keep the code blank if no accessory is needed.)

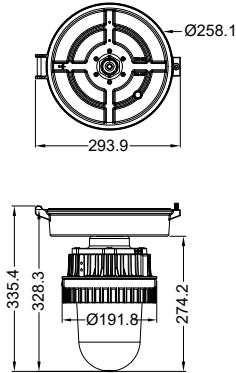
Mounting Option & Dimensions (All in mm)

Standard Product			
<p>Wall / Hanging Mount 25° (W25)</p>  <p style="text-align: center;">10.0 kg (22.0 lb)</p>	<p>Wall / Hanging Mount 90° (W90)</p>  <p style="text-align: center;">10.0 kg (22.0 lb)</p>	<p>Hanging Mount 90° (H90)</p>  <p style="text-align: center;">10.0 kg (22.0 lb)</p>	
<p>Straight Electrical Tube (P90)</p>  <p style="text-align: center;">10.5 kg (23.1 lb)</p>	<p>Bending Electrical Tube 90° (S90)</p>  <p style="text-align: center;">10.6 kg (23.4 lb)</p>	<p>Bending Electrical Tube 25° (S25)</p>  <p style="text-align: center;">10.5 kg (23.1 lb)</p>	<p>Hanging Mount 25° (H25)</p>  <p style="text-align: center;">10.0 kg (22.0 lb)</p>
With optional accessory "Guard"			
<p>Wall / Hanging Mount 25° (W25G)</p>  <p style="text-align: center;">10.2 kg (22.5 lb)</p>	<p>Wall / Hanging Mount 90° (W90G)</p>  <p style="text-align: center;">10.2 kg (22.5 lb)</p>	<p>Hanging Mount 90° (H90G)</p>  <p style="text-align: center;">10.2 kg (22.5 lb)</p>	
<p>Straight Electrical Tube (P90G)</p>  <p style="text-align: center;">10.7 kg (23.5 lb)</p>	<p>Bending Electrical Tube 90° (S90G)</p>  <p style="text-align: center;">10.8 kg (23.8 lb)</p>	<p>Bending Electrical Tube 25° (S25G)</p>  <p style="text-align: center;">10.7 kg (22.0 lb)</p>	<p>Hanging Mount 25° (H25G)</p>  <p style="text-align: center;">10.2 kg (22.5 lb)</p>

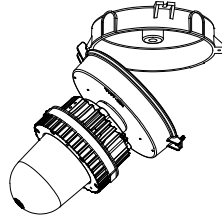
Pan Mounting Option & Dimensions (All in mm)

Retrofit Kit for C Brand

(PAN)



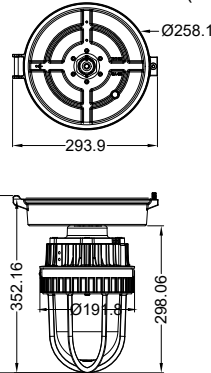
Installation Diagram



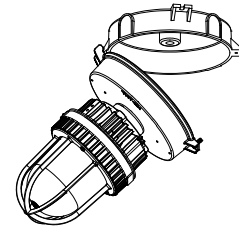
*Top hat is not included when placing order for retrofit pan.

10.5 kg (23.1 lb)

Retrofit Kit with optional accessory "Guard" (PANG)



Installation Diagram

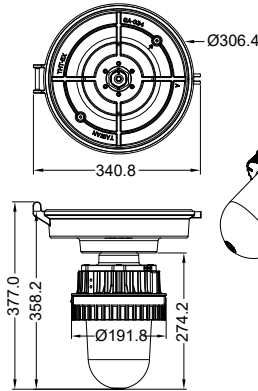


*Top hat is not included when placing order for retrofit pan.

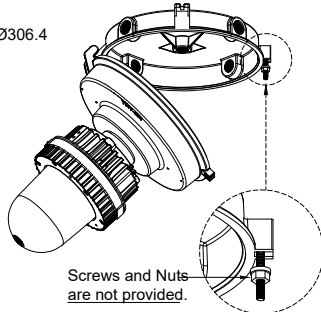
10.8 kg (23.8 lb)

Retrofit Kit for A Brand

(PANA)



Installation Diagram

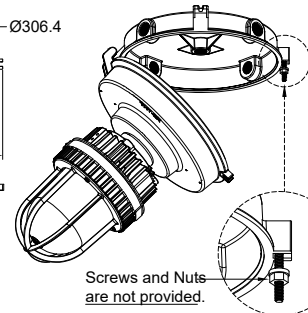
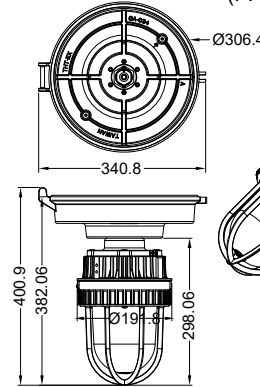


Screws and Nuts are not provided.

*Top hat is not included when placing order for retrofit pan.

10.8 kg (23.8 lb)

Retrofit Kit with optional accessory "Guard" (PANAG) Installation Diagram



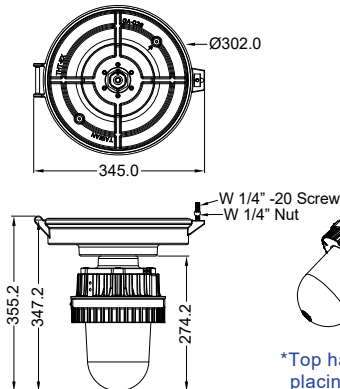
Screws and Nuts are not provided.

*Top hat is not included when placing order for retrofit pan.

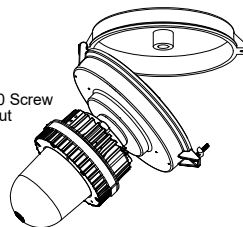
11.1 kg (24.5 lb)

Retrofit Kit for K Brand

(PANK)



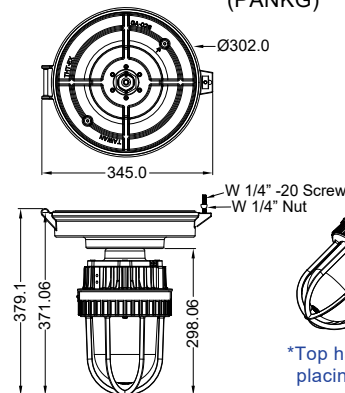
Installation Diagram



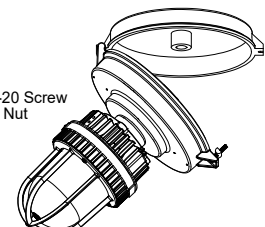
*Top hat is not included when placing order for retrofit pan.

11.0 kg (24.3 lb)

Retrofit Kit with optional accessory "Guard" (PANKG) Installation Diagram



Installation Diagram



*Top hat is not included when placing order for retrofit pan.

11.3 kg (24.9 lb)

Applicable Area

- Oil Refinery Complex
- Petrochemical Complex
- Painting Facility
- Transporting Nature Gas
- Transporting Liquefied
- Petroleum Gas
- Offshore Platform
- (Oil and Natural Gas)