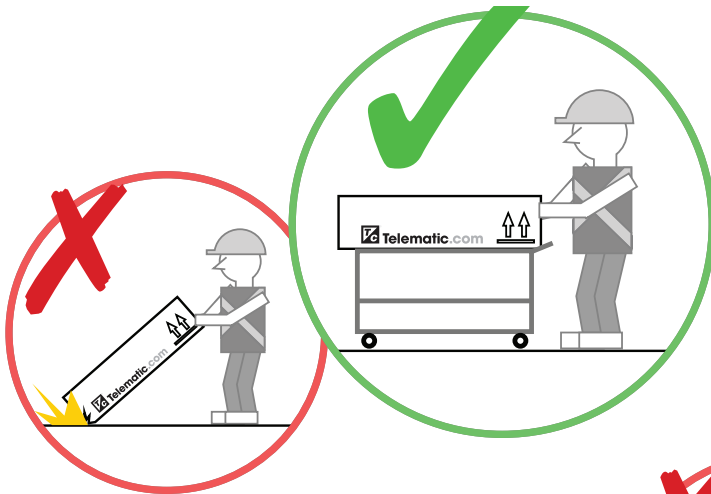
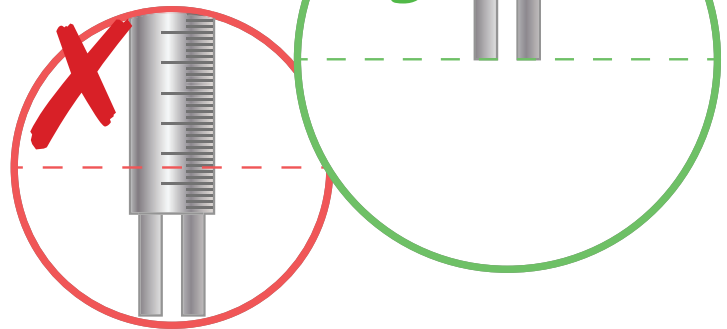


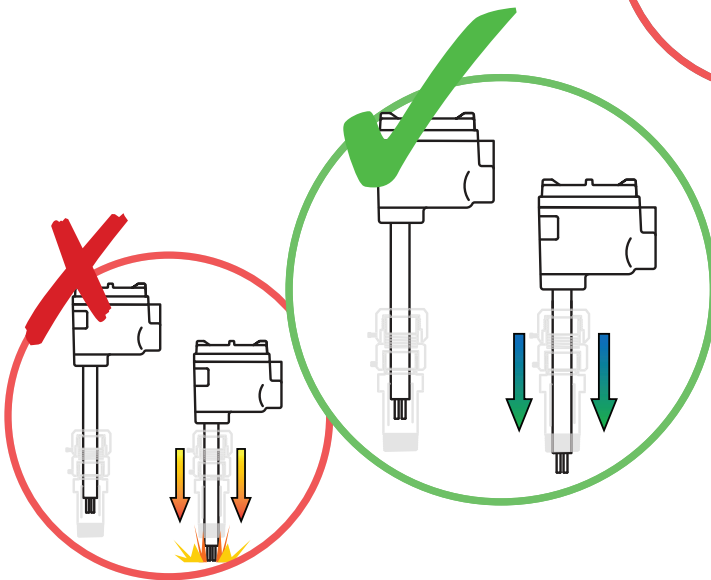
How To Avoid Damaging your Kayden Unit:



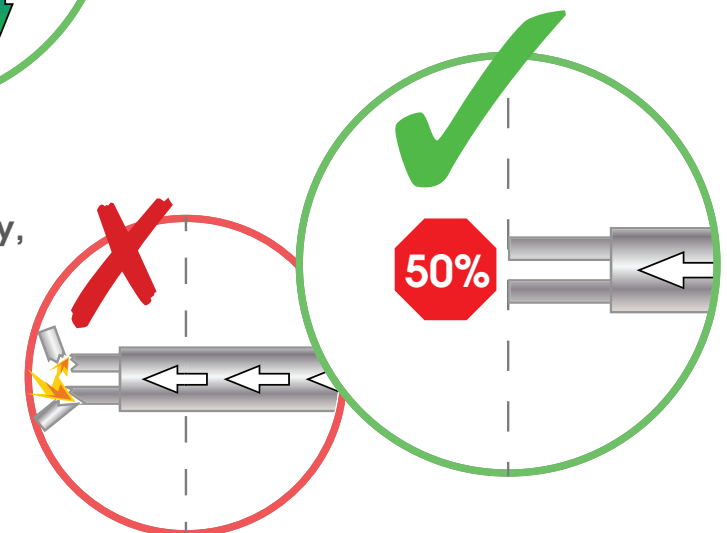
Do Not Drop Sensors



Order Probe of Appropriate Length for Application



Insert Probe Slowly & Carefully,
Do Not Allow Probe to Fall



Do Not Over-Insert Probe

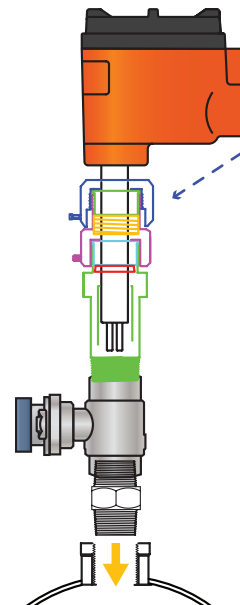
NOTE: Observe the following safety guidelines before installing or removing your CLASSIC 814 or 816 Retractable Packing Gland Assembly:

- Use proper eye protection and any other safety equipment as required by your installation site.
- Check electrical power to ensure that all power has been disconnected and “locked out.”
- Protect yourself against accidental release of steam, hot water, acids and other potentially hazardous media.
- Follow all safety precautions as specified for your installation site and local codes.

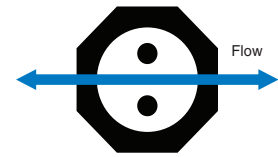
1. Before installing your Packing Gland, coat the sensor threads with plant-approved lubricant or sealant to prevent threads from binding.
2. Extra caution should be taken not to over-tighten the sensor threads while installing.
3. Install the Packing Gland, taking into account the orientation of the sensor as described below.
4. Keep in mind the need for easy access, safety of personnel and a suitable environment for the Packing Gland. In general, install the Packing Gland so as to minimize its exposure to vibration, shock, and extreme temperature fluctuations.

Retractable Packing Gland Assembly Installation Guidelines

1. Apply plant-approved thread protection.
2. Release **Locking Hex Set Bolt (D)** 1/4 turn, loosen **Teflon Packing Gland Nut (C)**.
3. Thread **Process Connection Gland (A)** into ball valve. (Caution: See Note)
4. Once **Process Connection Gland (A)** is tightened into process, hand tighten **Teflon Packing Gland Nut (C)**.
5. Slowly open ball valve allowing process to enter **Retractable Packing Gland Assembly**.
6. **Fully open** ball valve before pushing probe carefully into process to avoid damage to sensors.
7. See **Specific Model** and **Pressure Range**
8. Once probe is inserted to desired depth, tighten **Teflon Packing Gland Nut (C)** and secure with **Locking Hex Set Bolt (D)**.

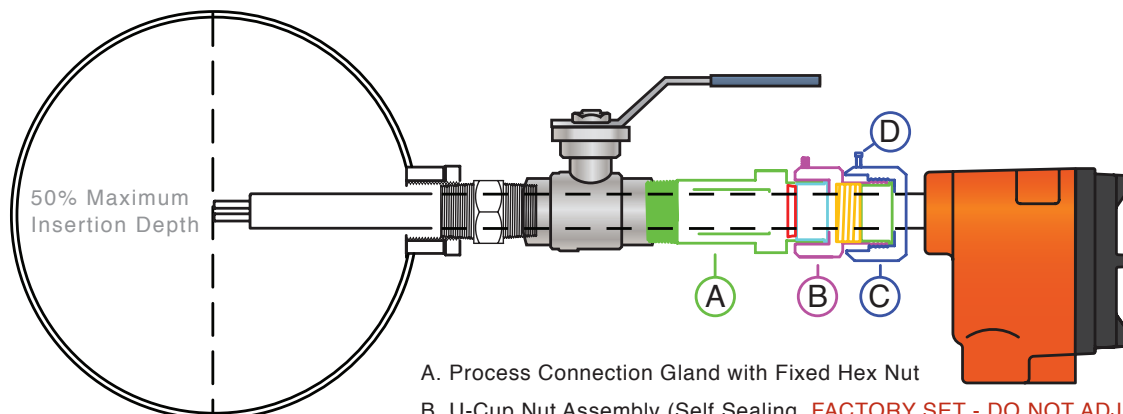


Note: When **Teflon Packing Gland Nut** is loosened during a vertical install take care that the retractable assembly does not slip, impacting and potentially damaging the sensor.



Front View of Sensor
For optimal results insert sensor perpendicular to flow

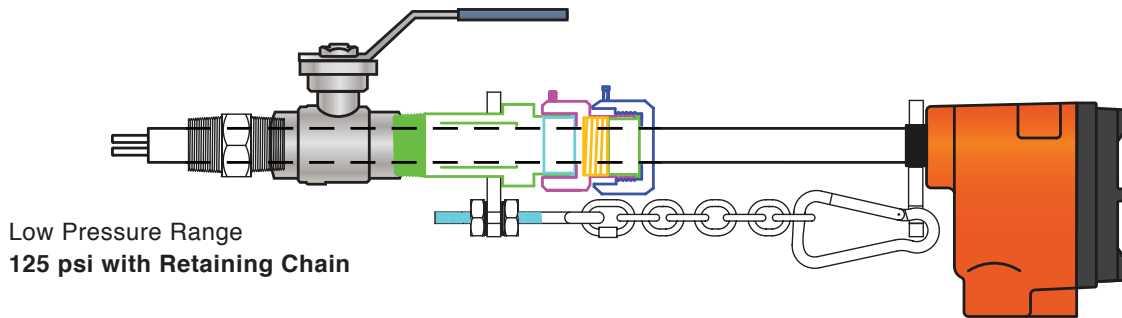
CLASSIC™ 816 Threaded Retractable Packing Gland



Low Pressure Range
50 psi

- A. Process Connection Gland with Fixed Hex Nut
- B. U-Cup Nut Assembly (Self Sealing, **FACTORY SET - DO NOT ADJUST**)
- C. Teflon Packing Gland Nut (Friction/Seal, Adjust as Required)
- D. Locking Hex Set Bolt

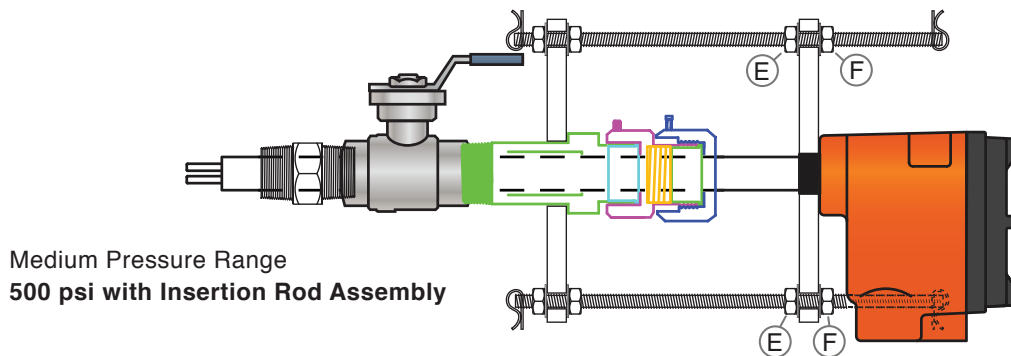
CLASSIC™ 816 Threaded Retractable Packing Gland (with Retaining Chain)



Low Pressure Range
125 psi with Retaining Chain

Complete Steps 1-6. Ensure chain is secured and tightened to prevent slippage. Complete Step 8.

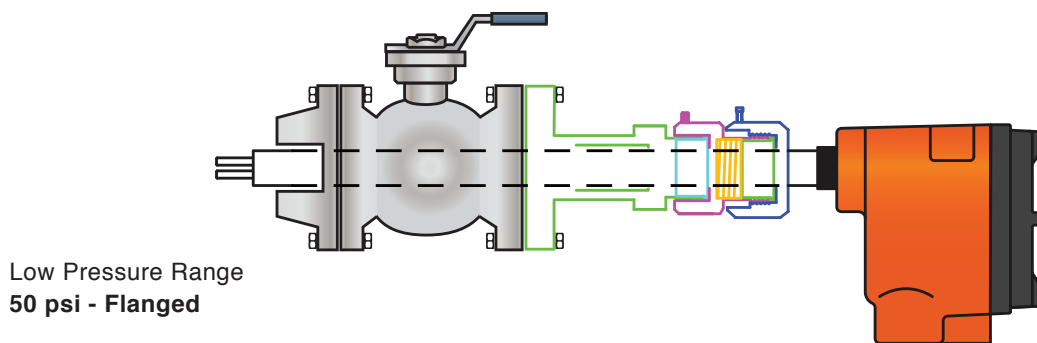
CLASSIC™ 816 Threaded Retractable Packing Gland (with Insertion Rod Assembly)



Medium Pressure Range
500 psi with Insertion Rod Assembly

Complete Steps 1-6. Loosen back locking nuts (E), then tighten insertion nuts (F) until probe reaches desired depth. Retighten the locking nuts afterward to prevent slippage. Complete Step 8.

CLASSIC™ 814 Flanged Retractable Packing Gland



Low Pressure Range
50 psi - Flanged

Complete Steps 2-6, ensure all flange bolts are tightened before fully opening valve to process and inserting the probe. Complete Step 8.