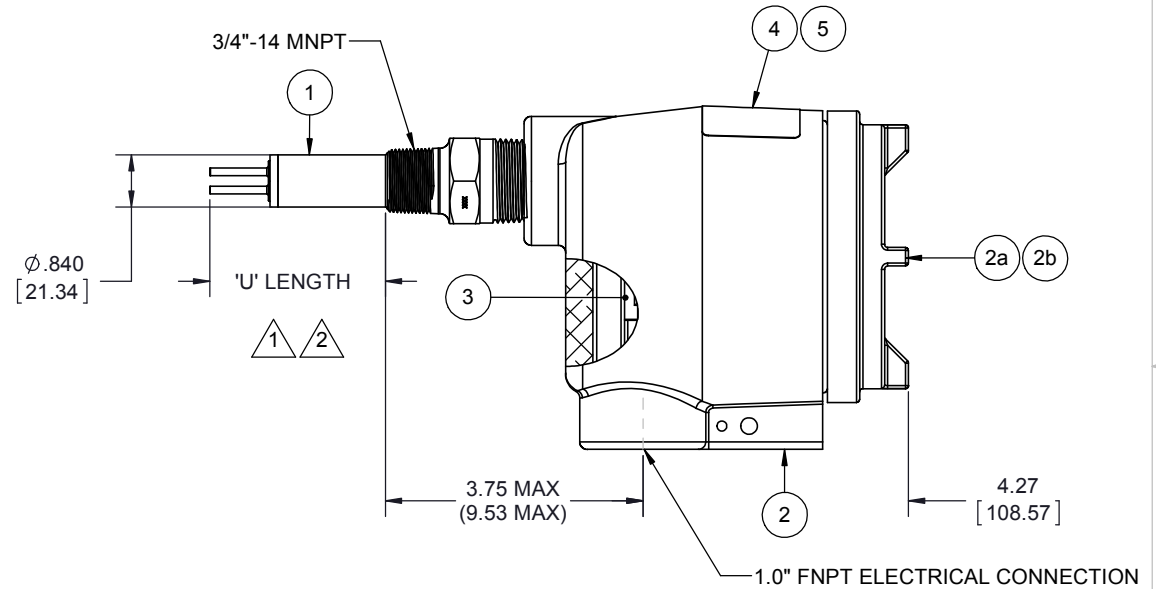
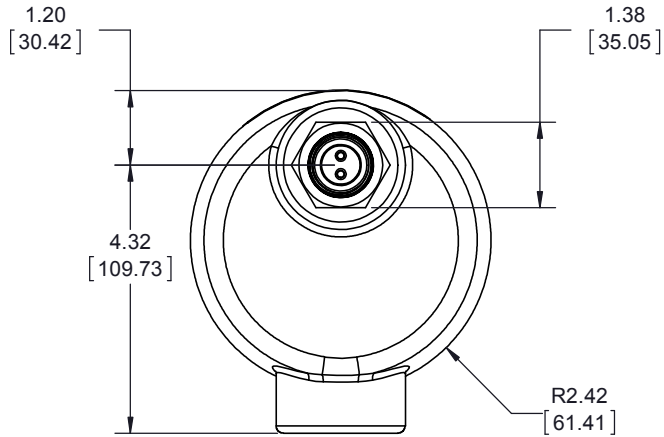


8 7 6 5 4 3 2 1

| REVISIONS | | | | |
|-----------|------|---|---------|----------|
| ZONE | REV. | DESCRIPTION | DATE | APPROVED |
| All | 0 | Initial Release | 14MAY98 | Chidley |
| | 1 | Edited text | 26JAN11 | |
| | 2 | Edited dimensions | 31MAR11 | |
| | 3 | Changed footer note, added confidential note, modified title, title box and rev table. Deleted 24"U'. Added rows on dwg. Fixed Item 2 | 03JUN13 | THD |
| ALL | 4 | UPDATED TO NEWEST VERSION PROBE. | 23OCT18 | |



NOTES:

- 1 Standard 'U' lengths available: 1.2", 2", 3", 4", 6", 9", 12" & 18"
- 2 Custom 'U' length:

| | | | |
|--------------------------------------|-----------|------|---------|
| UNLESS OTHERWISE SPECIFIED: | | NAME | DATE |
| DIMENSIONS ARE IN INCHES | DRAWN | MW | 14MAY13 |
| TOLERANCES: ANGULAR: 0.5° | CHECKED | EC | 16MAY13 |
| ONE PLACE DECIMAL ±0.1 | ENG APPR. | TDH | 03JUN13 |
| TWO PLACE DECIMAL ±0.02 | | | |
| THREE PLACE DECIMAL ±0.007 | | | |
| INTERPRET GEOMETRIC TOLERANCING PER: | COMMENTS: | | |
| MATERIAL | | | |
| FINISH | | | |
| DO NOT SCALE DRAWING | | | |



TITLE:
CLASSIC 810 Series
 3/4" MNPT; 1.2", 2", 3", 4", 6", 9", 12" & 18" 'U'
 Local Electronics
 Mounting Drawing

| | | |
|----------|---------------------|----------|
| SIZE | DWG. NO. | REV |
| B | D15-810-RAD-XXXX-LE | 4 |

8 7 6 5 4 3 2 1

| BOM | | | |
|------|---|----------------|-----|
| ITEM | DESCRIPTION | PART NUMBER | QTY |
| *1 | Sensor, 3/4" MNPT | P02-RAD-XXXX-X | 1 |
| 2 | Flameproof Enclosure (1" x 1" FNPT) c/w Terminal Assembly | N10-100A-E | 1 |
| 2a | <input checked="" type="checkbox"/> Glass Lens Cover - Flameproof | M10-1G00 | 1 |
| 2b | <input type="checkbox"/> Blind Cover - Flameproof | M10-1B00 | 1 |
| 3 | CLASSIC Electronics Module (12-24 VDC, 115-230 VAC) | L10-800-C-E | 1 |
| 4 | Nameplate, Foil | 2400-0002 | 1 |
| 5 | Nameplate, Overlay | 2401-0001 | 1 |

***1. Sensor Assembly Selection Guide:**

P02-RADXXXX Where XXXX = Desired 'U' Length in Inches.

- | | |
|--------------------------|---------------------|
| eg. 1.2"U = P02-RAD-0012 | 6"U = P02-RAD-0060 |
| 2"U = P02-RAD-0020 | 9"U = P02-RAD-0090 |
| 3"U = P02-RAD-0030 | 12"U = P02-RAD-0120 |
| 4"U = P02-RAD-0040 | 18"U = P02-RAD-0180 |

DRAFT 00

| | | |
|--------------------------------------|---------------|---------|
| UNLESS OTHERWISE SPECIFIED: | NAME | DATE |
| DIMENSIONS ARE IN INCHES | DRAWN MW | 14MAY13 |
| TOLERANCES: | CHECKED EC | 16MAY13 |
| ANGULAR: 0.5° | ENG APPR. TDH | 03JUN13 |
| ONE PLACE DECIMAL ±0.1 | | |
| TWO PLACE DECIMAL ±0.02 | | |
| THREE PLACE DECIMAL ±0.007 | | |
| INTERPRET GEOMETRIC TOLERANCING PER: | COMMENTS: | |
| MATERIAL | | |
| FINISH | | |
| DO NOT SCALE DRAWING | | |



TITLE:
Parts List - CLASSIC 810 Series
 3/4" MNPT; 1.2", 2", 3", 4", 6", 9", 12" & 18" 'U'
 Local Electronics

| | | |
|------|---------------------|-----|
| SIZE | DWG. NO. | REV |
| B | D15-810-RAD-XXXX-LE | 4 |

SCALE: NTS WEIGHT: SHEET 2 OF 2