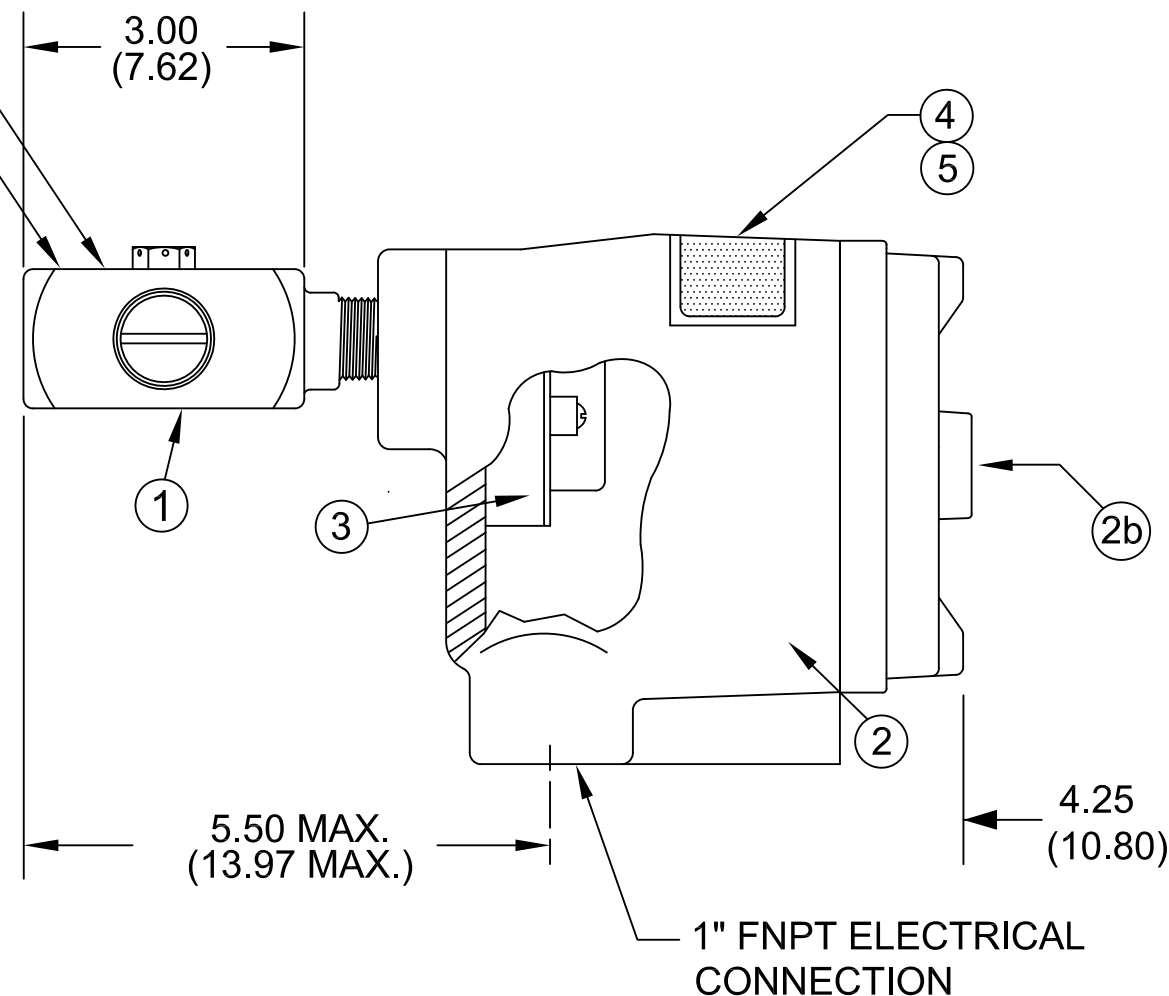
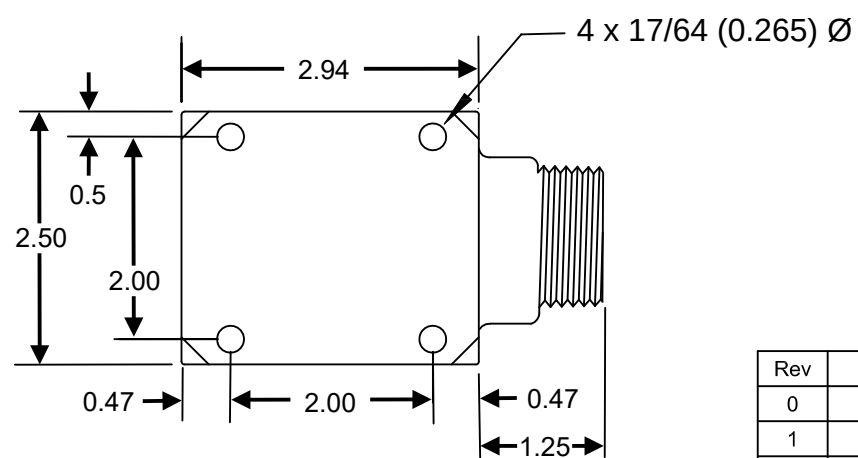


FLOW DIRECTION INDICATOR  
FLAT UP AND  
LEVEL  $\pm 2^\circ$



DETAIL - MOUNTING HOLES



Information contained in this document is confidential and proprietary information of Telematic Controls Inc. This document may not be reproduced or distributed for any reason without express written permission of Telematic Controls Inc. All rights of design, invention and copyright are reserved.

APPROVALS		DATE			
DRN	MW	14MAY13			
CHKD	EC	16MAY13			
APP	TDH	04JUN13	TITLE	CLASSIC 830 Series Threaded InLine Horizontal with Bleed Port Remote Electronics	
All dimensions are shown in inches with cm shown in brackets			SIZE	DWG NO	REV
TOLERANCES ARE:			A3	D15-830-RA3D-0035AH-3	3
DECIMALS		ANGLES	SCALE		SHEET
.X $\pm$ 0.1		$\pm 0.5^\circ$	NTS		1 OF 4
.XX $\pm$ 0.02					
.XXX $\pm$ 0.007					

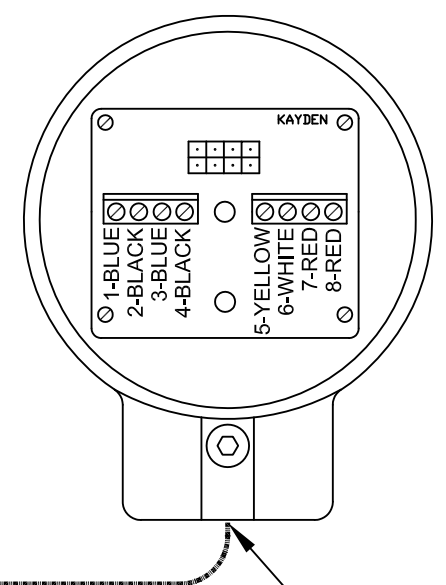
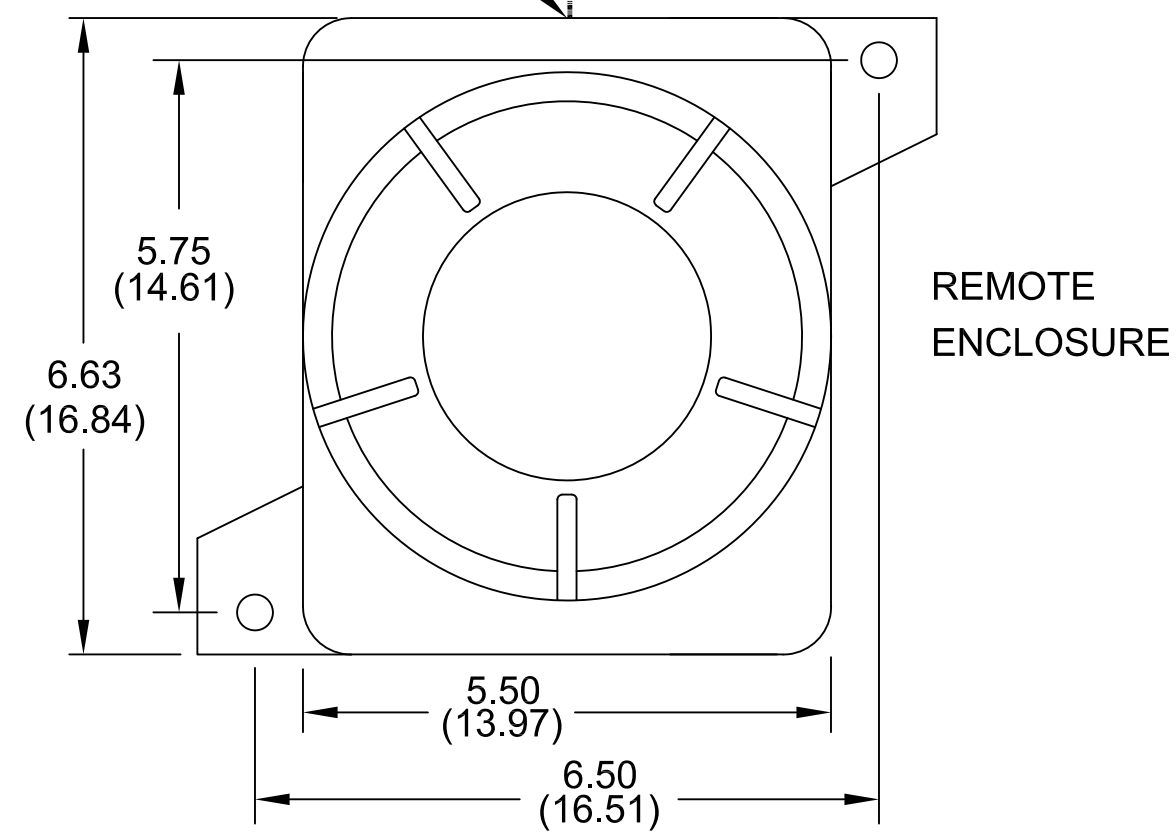
Rev	Description	App.	Date
0	Initial release	Chidley	16Jul02
1	Edited text		13Apr11
2	Changed footer note, Added confidential note Modified Title box & Rev. Table.	TDH	04Jun13
3	Added sensor mounting hole locations	DRS	22Oct24



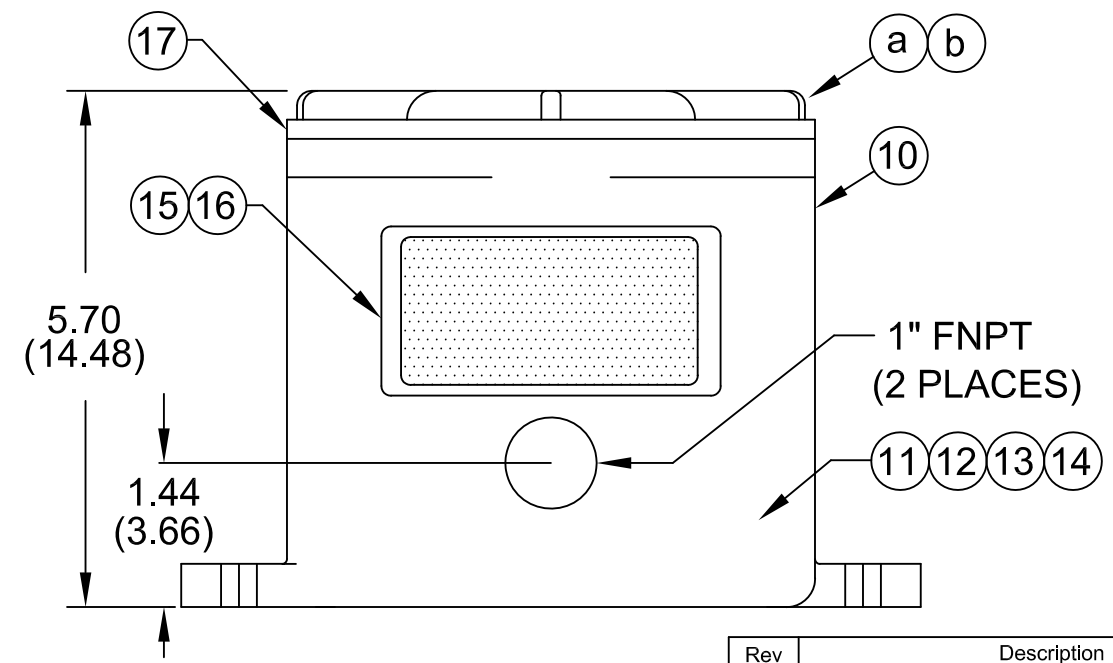
1" FNPT ELECTRONIC CONNECTION

FIELD WIRING

SENSOR ENCLOSURE



1" FNPT ELECTRICAL CONNECTION



Information contained in this document is confidential and proprietary information of Telematic Controls Inc. This document may not be reproduced or distributed for any reason without express written permission of Telematic Controls Inc. All rights of design, invention and copyright are reserved.

APPROVALS	DATE
DRN MW	13MAY13
CHKD EC	21MAY13
APP TDH	03JUN13

**KAYDEN**<sup>®</sup>  
INSTRUMENTS

All dimensions are shown in inches with cm shown in brackets

TOLERANCES ARE:

DECIMALS	ANGLES
.X ± 0.1	±0.5°
.XX ± 0.02	
.XXX ± 0.007	

TITLE: CLASSIC Series Remote Electronics Flameproof Enclosure (CSA)

SIZE A3 | DWG NO. 7730-0000-1-CSA | REV 0

SCALE NTS | SHEET 3 OF 4


Rev	Description	App.	Date
0	Initial release	TDH	03Jun13

NOTES:  
1. Wire according to connection diagram.

ITEM	DESCRIPTION	PART NUMBER	QTY
10	Flameproof Remote Enclosure	1409-1201	1
a	<input type="checkbox"/> Glass Lens Cover - Flameproof	1409-1208	1
b	<input type="checkbox"/> Blind Cover - Flameproof	1409-1207	1
11	Terminal Assembly	2511-0012	1
12	Ground Screw	2540-0023	1
13	CLASSIC Electronics Module	L10-800-C-E	1
14	Mounting Screws (316 SS)	2540-0007	2
15	Nameplate, Foil	2400-0007	1
16	Nameplate, Overlay	2401-0001	1
17	Cover Gasket	1499-1301	1

Information contained in this document is confidential and proprietary information of Telematic Controls Inc. This document may not be reproduced or distributed for any reason without express written permission of Telematic Controls Inc. All rights of design, invention and copyright are reserved.

Rev	Description	App.	Date
0	Initial release	TDH	03Jun13

APPROVALS		DATE			
DRN	MW	13MAY13			
CHKD	EC	21MAY13			
APP	TDH	03JUN13		TITLE	
All dimensions are shown in inches with cm shown in brackets				Parts List - CLASSIC Series Remote Electronics Flameproof Enclosure (CSA)	
TOLERANCES ARE:				SIZE	DWG NO.
DECIMALS		ANGLES		A3	7730-0000-2-CSA
.X ±	0.1	±0.5°		REV	
.XX ±	0.02			0	
.XXX ±	0.007			SCALE NTS	
				SHEET 4 OF 4	