

# VALVE FITTINGS & WELLHEAD COMPONENTS



6A-1740



[www.pgint.com](http://www.pgint.com)

MANUFACTURER OF STANDARD AND SPECIALTY FITTINGS AND COMPONENTS CONFORMING TO NACE, API AND ANSI SPECIFICATIONS

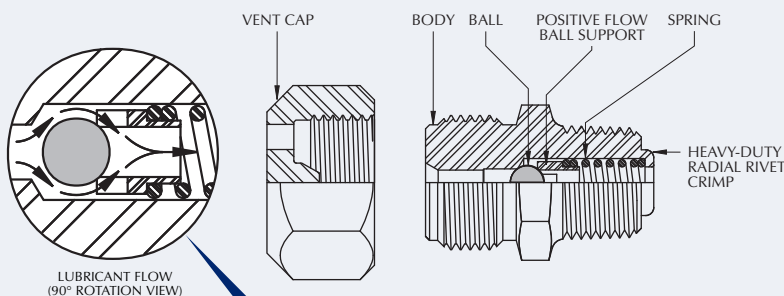


# featuring positive flow ball support

## VENTED CAP BODY GREASE FITTINGS

Our standard body grease fitting features the *Positive Flow Ball Support*. This design directs the flow of the lubricant and/or sealant through the center of the spring without passing through the spring coil, reducing the tendency to "pack-off." The *Positive Flow Ball Support* is available in many other fitting styles.

Another feature of the standard body grease fitting is the heavy-duty radial rivet crimp. This special crimp provides the best "blow-out" protection of any available crimped style fitting. The radial rivet crimp process conforms to the latest revision of NACE.



Lubricant passes around the ball and through the center of the ball support and spring, without passing through the spring coil.

### Vented Cap Body Grease Fittings

| THREAD SIZE | MATERIAL | PART NO.  | PLATING | HEAT TREATMENT   | BALL     | SPRING        |
|-------------|----------|-----------|---------|------------------|----------|---------------|
| 1" NPT      | 1215     | BG10N8-10 | Zinc    | ---              | **CA     | 302 SS        |
|             | 316 SS   | BG10N8-C0 | ---     | Annealed (NACE)  | K-Monel® | Inconel X-750 |
|             | 4140     | BG10N8-80 | Zinc    | Rc 22 Max (NACE) |          |               |
| 3/4" NPT    | 1215     | BG10N6-10 | Zinc    | ---              | **CA     | 302 SS        |
|             | 316 SS   | BG10N6-C0 | ---     | Annealed (NACE)  | K-Monel® | Inconel X-750 |
|             | 4140     | BG10N6-80 | Zinc    | Rc 22 Max (NACE) |          |               |
| 1/2" NPT    | 1215     | BG10N4-10 | Zinc    | ---              | **CA     | 302 SS        |
|             | 316 SS   | BG10N4-C0 | ---     | Annealed (NACE)  | K-Monel® | Inconel X-750 |
|             | 4140     | BG10N4-80 | Zinc    | Rc 22 Max (NACE) |          |               |
| 3/8" NPT    | 1215     | BG10N3-10 | Zinc    | ---              | **CA     | 302 SS        |
|             | 316 SS   | BG10N3-C0 | ---     | Annealed (NACE)  | K-Monel® | Inconel X-750 |
|             | 4140     | BG10N3-80 | Zinc    | Rc 22 Max (NACE) |          |               |
| 1/4" NPT    | 1215     | BG10N2-10 | Zinc    | ---              | **CA     | 302 SS        |
|             | 316 SS   | BG10N2-C0 | ---     | Annealed (NACE)  | K-Monel® | Inconel X-750 |
|             | 4140     | BG10N2-80 | Zinc    | Rc 22 Max (NACE) |          |               |

*For Service to 10,000 PSI*

### Vented Cap Body Grease Fittings with Giant Button Head

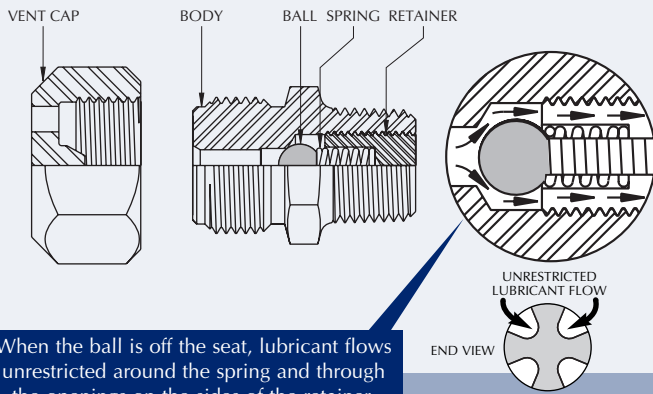
| THREAD SIZE | MATERIAL | PART NO.  | PLATING | HEAT TREATMENT   | BALL     | SPRING        |
|-------------|----------|-----------|---------|------------------|----------|---------------|
| 1" NPT      | 1215     | BH10N8-10 | Zinc    | ---              | **CA     | 302 SS        |
|             | 316 SS   | BH10N8-C0 | ---     | Annealed (NACE)  | K-Monel® | Inconel X-750 |
|             | 4140     | BH10N8-80 | Zinc    | Rc 22 Max (NACE) |          |               |
| 3/4" NPT    | 1215     | BH10N6-10 | Zinc    | ---              | **CA     | 302 SS        |
|             | 316 SS   | BH10N6-C0 | ---     | Annealed (NACE)  | K-Monel® | Inconel X-750 |
|             | 4140     | BH10N6-80 | Zinc    | Rc 22 Max (NACE) |          |               |
| 1/2" NPT    | 1215     | BH10N4-10 | Zinc    | ---              | **CA     | 302 SS        |
|             | 316 SS   | BH10N4-C0 | ---     | Annealed (NACE)  | K-Monel® | Inconel X-750 |
|             | 4140     | BH10N4-80 | Zinc    | Rc 22 Max (NACE) |          |               |
| 3/8" NPT    | 1215     | BH10N3-10 | Zinc    | ---              | **CA     | 302 SS        |
|             | 316 SS   | BH10N3-C0 | ---     | Annealed (NACE)  | K-Monel® | Inconel X-750 |
|             | 4140     | BH10N3-80 | Zinc    | Rc 22 Max (NACE) |          |               |
| 1/4" NPT    | 1215     | BH10N2-10 | Zinc    | ---              | **CA     | 302 SS        |
|             | 316 SS   | BH10N2-C0 | ---     | Annealed (NACE)  | K-Monel® | Inconel X-750 |
|             | 4140     | BH10N2-80 | Zinc    | Rc 22 Max (NACE) |          |               |

*For Service to 10,000 PSI*

PLEASE CONSULT FACTORY FOR PRODUCT AVAILABILITIES. \*\*CA=AISI 52100 Chrome Alloy ~ Other materials and plating available upon request.

# featuring free flow design

## VENTED CAP BODY GREASE FITTINGS



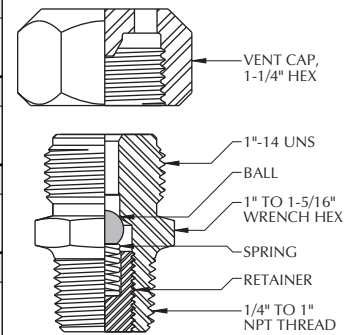
When the ball is off the seat, lubricant flows unrestricted around the spring and through the openings on the sides of the retainer.

The *Free Flow* fitting utilizes a unique spring retainer that is threaded into the body of the fitting. This special retainer also acts as a ball support and spring guide, and its design allows for the *Free Flow* of lubricants and sealant *around* the spring, instead of through it.

- **Only unrestricted flow path on the market** – the straight-line passageway significantly reduces tendency to “pack off.”
- **Guaranteed against “Blow Out”** when used within design limitations of the fitting. Excellent in extreme cold environments.
- **Increased flow rates** due to the unrestricted flow path.
- **Meets latest revision of NACE** – no cold working of materials.

### Free Flow Vented Cap Body Grease Fittings

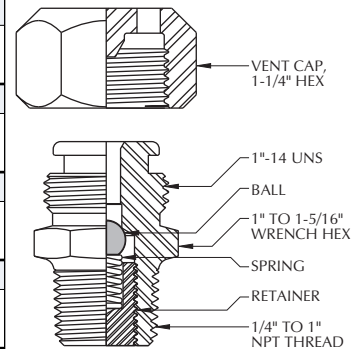
| THREAD SIZE | MATERIAL | PART NO.  | PLATING | HEAT TREATMENT   | BALL     | SPRING        |
|-------------|----------|-----------|---------|------------------|----------|---------------|
| 1" NPT      | 1215     | BG22N8-10 | Zinc    | ---              | **CA     | 302 SS        |
|             | 316 SS   | BG22N8-C0 | ---     | Annealed (NACE)  | K-Monel® | Inconel X-750 |
|             | 4140     | BG22N8-80 | Zinc    | Rc 22 Max (NACE) |          |               |
| 3/4" NPT    | 1215     | BG22N6-10 | Zinc    | ---              | **CA     | 302 SS        |
|             | 316 SS   | BG22N6-C0 | ---     | Annealed (NACE)  | K-Monel® | Inconel X-750 |
|             | 4140     | BG22N6-80 | Zinc    | Rc 22 Max (NACE) |          |               |
| 1/2" NPT    | 1215     | BG22N4-10 | Zinc    | ---              | **CA     | 302 SS        |
|             | 316 SS   | BG22N4-C0 | ---     | Annealed (NACE)  | K-Monel® | Inconel X-750 |
|             | 4140     | BG22N4-80 | Zinc    | Rc 22 Max (NACE) |          |               |
| 3/8" NPT    | 1215     | BG22N3-10 | Zinc    | ---              | **CA     | 302 SS        |
|             | 316 SS   | BG22N3-C0 | ---     | Annealed (NACE)  | K-Monel® | Inconel X-750 |
|             | 4140     | BG22N3-80 | Zinc    | Rc 22 Max (NACE) |          |               |
| 1/4" NPT    | 1215     | BG22N2-10 | Zinc    | ---              | **CA     | 302 SS        |
|             | 316 SS   | BG22N2-C0 | ---     | Annealed (NACE)  | K-Monel® | Inconel X-750 |
|             | 4140     | BG22N2-80 | Zinc    | Rc 22 Max (NACE) |          |               |



For Service to 10,000 PSI

### Free Flow Vented Cap Body Grease Fittings with Giant Button Head

| THREAD SIZE | MATERIAL | PART NO.  | PLATING | HEAT TREATMENT   | BALL     | SPRING        |
|-------------|----------|-----------|---------|------------------|----------|---------------|
| 1" NPT      | 1215     | BH22N8-10 | Zinc    | ---              | **CA     | 302 SS        |
|             | 316 SS   | BH22N8-C0 | ---     | Annealed (NACE)  | K-Monel® | Inconel X-750 |
|             | 4140     | BH22N8-80 | Zinc    | Rc 22 Max (NACE) |          |               |
| 3/4" NPT    | 1215     | BH22N6-10 | Zinc    | ---              | **CA     | 302 SS        |
|             | 316 SS   | BH22N6-C0 | ---     | Annealed (NACE)  | K-Monel® | Inconel X-750 |
|             | 4140     | BH22N6-80 | Zinc    | Rc 22 Max (NACE) |          |               |
| 1/2" NPT    | 1215     | BH22N4-10 | Zinc    | ---              | **CA     | 302 SS        |
|             | 316 SS   | BH22N4-C0 | ---     | Annealed (NACE)  | K-Monel® | Inconel X-750 |
|             | 4140     | BH22N4-80 | Zinc    | Rc 22 Max (NACE) |          |               |
| 3/8" NPT    | 1215     | BH22N3-10 | Zinc    | ---              | **CA     | 302 SS        |
|             | 316 SS   | BH22N3-C0 | ---     | Annealed (NACE)  | K-Monel® | Inconel X-750 |
|             | 4140     | BH22N3-80 | Zinc    | Rc 22 Max (NACE) |          |               |
| 1/4" NPT    | 1215     | BH22N2-10 | Zinc    | ---              | **CA     | 302 SS        |
|             | 316 SS   | BH22N2-C0 | ---     | Annealed (NACE)  | K-Monel® | Inconel X-750 |
|             | 4140     | BH22N2-80 | Zinc    | Rc 22 Max (NACE) |          |               |

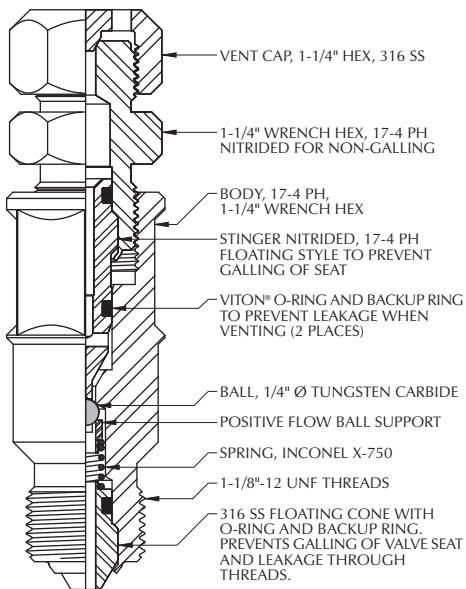


For Service to 10,000 PSI

\*\*CA=AISI 52100 Chrome Alloy ~ Other materials and plating available upon request. PLEASE CONSULT FACTORY FOR PRODUCT AVAILABILITIES.

# HIGH PRESSURE LUBRICATION AND SEALANT FITTINGS

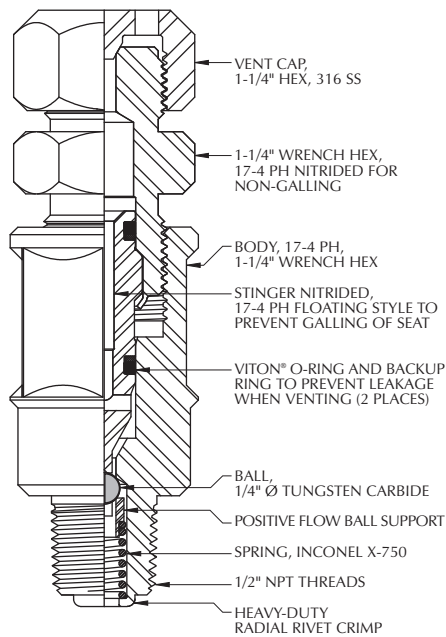
## Blowdown Fitting 9/16" Autoclave Style



PART NO.  
HP11S9-F0

*For Service to 20,000 PSI*

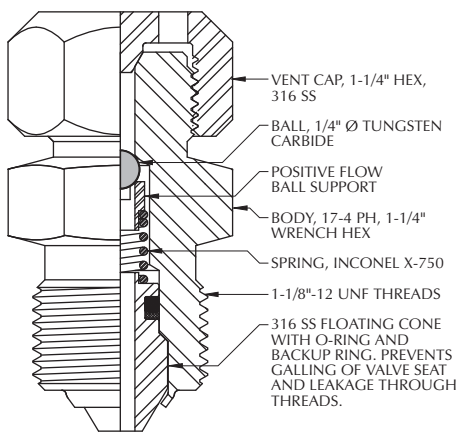
## Blowdown Fitting 1/2" NPT



PART NO.  
HP10N4-F0

*For Service to 10,000 PSI*

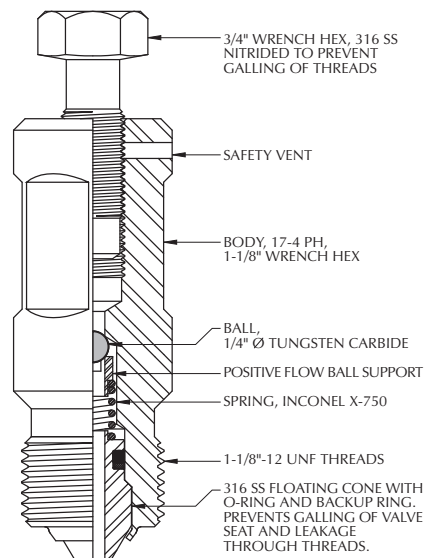
## Lubrication (Sealant) Fitting 9/16" Autoclave Style



PART NO.  
HP12S9-F0

*For Service to 20,000 PSI*

## Packing Injection Fitting 9/16" Autoclave Style

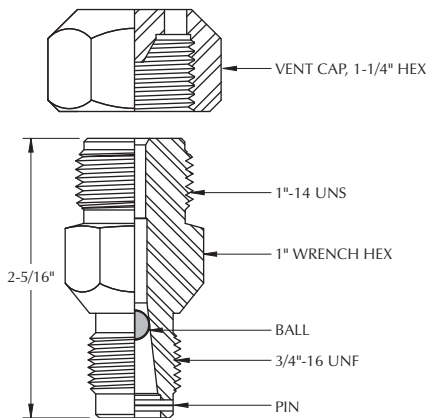


PART NO.  
HP13S9-F0

*For Service to 20,000 PSI*

PLEASE CONSULT FACTORY FOR PRODUCT AVAILABILITIES. Other materials available upon request.

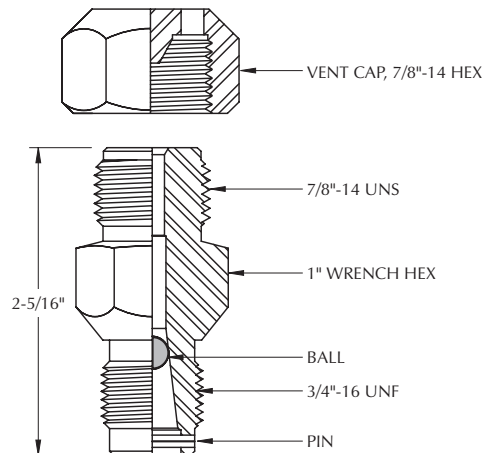
**McEvoy® Style Compound Fittings**



**3/4" - 16 UNF ENGAGEMENT THREAD  
 1" - 14 UNS CAP THREAD**

| MATERIAL | PART NO.   | PLATING | HEAT TREATMENT   | BALL     |
|----------|------------|---------|------------------|----------|
| 1215     | BGF1-MCE   | Zinc    | ---              | **CA     |
| 316 SS   | BGF1-MCE-2 | ---     | Annealed (NACE)  | K-Monel® |
| 4140     | BGF1-MCE-3 | Zinc    | Rc 22 Max (NACE) | K-Monel® |

**McEvoy® Style Grease Fittings**

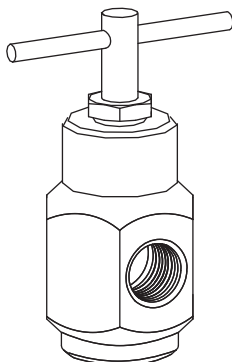


**3/4" - 16 UNF ENGAGEMENT THREAD  
 7/8" - 14 UNS CAP THREAD**

| MATERIAL | PART NO.    | PLATING | HEAT TREATMENT   | BALL     |
|----------|-------------|---------|------------------|----------|
| 1215     | BGF78-MCE   | Zinc    | ---              | **CA     |
| 316 SS   | BGF78-MCE-2 | ---     | Annealed (NACE)  | K-Monel® |
| 4140     | BGF78-MCE-3 | Zinc    | Rc 22 Max (NACE) | K-Monel® |

**PRESSURE RELIEF TOOLS**

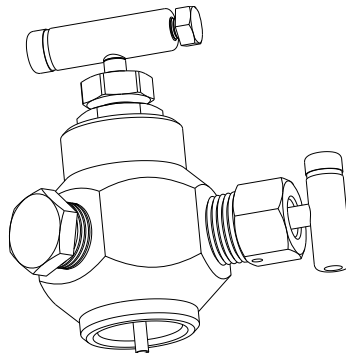
**Pressure Relief Tool**



**FOR 1" - 14 UNS VENTED CAP FITTINGS  
 1/2" NPT VENT PORT**

| MATERIAL | PART NO.  |
|----------|-----------|
| 1215     | PR11S8-10 |
| 4140     | PR11S8-80 |

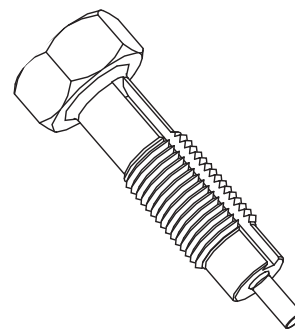
**Pressure Relief Tool  
 with Bleeder**



**FOR 1" - 14 UNS VENTED CAP FITTINGS  
 1/2" NPT VENT PORT WITH BLEEDER VALVE**

| MATERIAL | PART NO.  | PLATING |
|----------|-----------|---------|
| 1215     | PR12S8-10 | Zinc    |

**Pressure Relief Tool  
 for Packing  
 Injection Fittings**

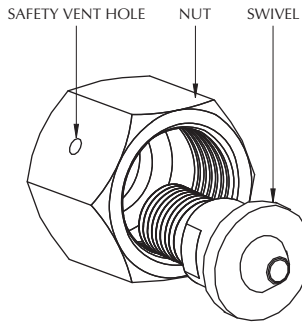


| PART NO.  |
|-----------|
| F2-021-10 |

\*\*CA=AISI 52100 Chrome Alloy ~ Other materials and plating available upon request. PLEASE CONSULT FACTORY FOR PRODUCT AVAILABILITIES.

# FITTING ACCESSORIES

## Grease Gun Lube Adapter



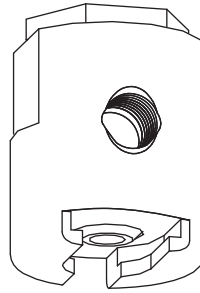
(SWIVEL + NUT)

ADAPTS TO GREASE GUN VIA 1/4" NPT MALE THREADS

| THREAD SIZE (NUT) | MATERIAL |        | PART NO.       |
|-------------------|----------|--------|----------------|
|                   | NUT      | SWIVEL |                |
| 1" - 14 UNS       | 1215     | 4140   | LA10S8-10      |
|                   | 4140     |        | LA10S8-80      |
|                   | 1215     |        | LA10S8-10-T3 † |
| 7/8" - 14 UNF     | 1215     | 4140   | LA10S7-10      |
| 3/4" - 16 UNF     | 1215     | 4140   | LA10S6-10      |

† WKM Style.

## Giant Button Head Coupler

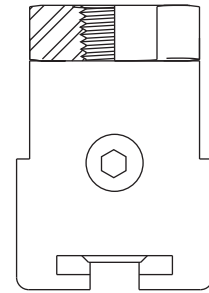


ADAPTS TO GREASE GUN VIA 1/4" NPT FEMALE THREADS

| MATERIAL | PART NO. | PLATING |
|----------|----------|---------|
| 1215     | BHC78    | Zinc    |

Repair Kit: BHC78-RPR-KIT

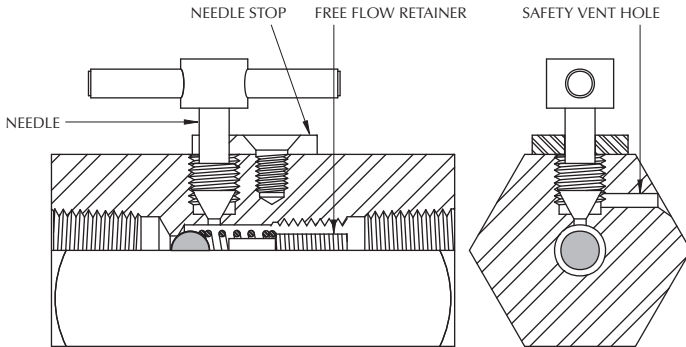
## Giant Button Head Coupler - Top Entry



ADAPTS TO GREASE GUN VIA 1/4" NPT FEMALE THREADS

| MATERIAL | PART NO. | PLATING |
|----------|----------|---------|
| 1215     | BHC78-TE | Zinc    |

## Safe Vent Coupler

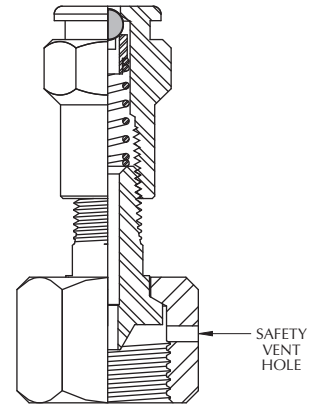


GREASE GUN LUBE ADAPTER WITH PRESSURE RELEASE AND CHECK. ADAPTS TO GREASE GUN HOSE VIA 1/4" NPT FEMALE PORT. (CAN BE PURCHASED WITH OR WITHOUT LUBE ADAPTER)

| MATERIAL |        | PART NO.     | LUBE ADAPTER THREAD SIZE | PLATING |
|----------|--------|--------------|--------------------------|---------|
| NUT      | SWIVEL |              |                          |         |
| ---      | ---    | SV22N2-80    | N/A                      | Zinc    |
| 1215     | 4140   | SV22N2-80-L1 | 1" - 14*                 | Zinc    |
| 1215     | 4140   | SV22N2-80-L2 | 1" - 14*                 | Zinc †  |
| 1215     | 4140   | SV22N2-80-L3 | 7/8" - 14*               | Zinc    |
| 1215     | 4140   | SV22N2-80-L4 | 3/4" - 16*               | Zinc    |

\* Shown above without lube adapter. † WKM Style.

## Combination Lube Adapter



GREASE GUN LUBE ADAPTER WITH GIANT BUTTON HEAD AND BALL CHECK

| THREAD SIZE (NUT) | MATERIAL |        | PART NO.       | PLATING |
|-------------------|----------|--------|----------------|---------|
|                   | NUT      | SWIVEL |                |         |
| 1" - 14 UNS       | 1215     | 4140   | LA10S8-10-T2   | Zinc    |
|                   |          |        | LA10S8-10-T2T3 | Zinc †  |
| 7/8" - 14 UNF     | 1215     | 4140   | LA10S7-10-T2   | Zinc    |
| 3/4" - 16 UNF     | 1215     | 4140   | LA10S6-10-T2   | Zinc    |

† WKM Style.

PLEASE CONSULT FACTORY FOR PRODUCT AVAILABILITIES.

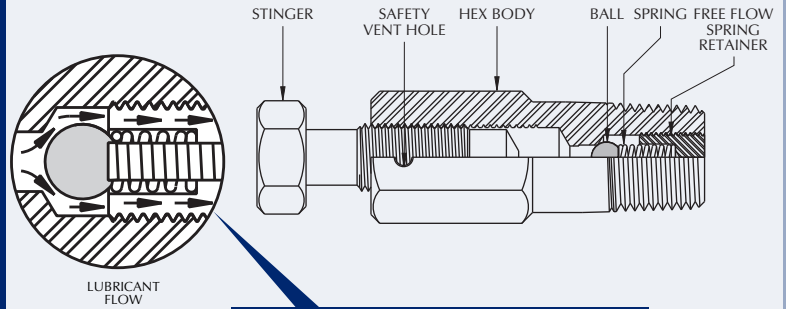


# featuring free flow design

## PACKING/BONNET INJECTION FITTINGS

The *Free Flow* design of the Body Grease Fitting has been incorporated into our Packing Injection Fittings. Compared to standard floating ball designs, the *Free Flow's* specially designed spring retainer allows even the heaviest of lubricants and/or sealant to flow freely through the Packing Injection Fitting.

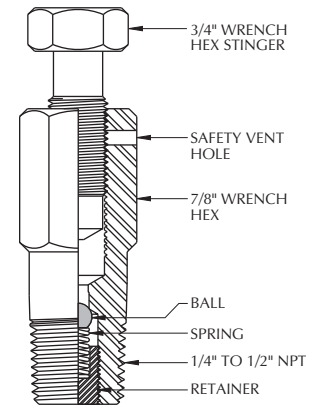
- **Positive back seating** is provided without relying on the presence of back pressure.
- **Guaranteed against "Blow Out"** when used within design limitations of the fitting. Excellent in extreme cold environments.
- **Meets latest revision of NACE** – no cold working of materials.



When the ball is off the seat, lubricant flows unrestricted around the spring and through the openings on the sides of the retainer.

### Free Flow Packing Injection Fittings

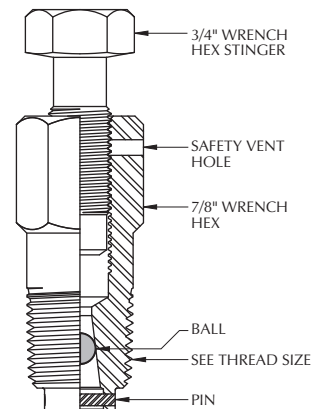
| THREAD SIZE | MATERIAL | PART NO.  | PLATING | HEAT TREATMENT   | BALL     | SPRING        |
|-------------|----------|-----------|---------|------------------|----------|---------------|
| 1/2" NPT    | 1215     | PF22N4-10 | Zinc    | ---              | **CA     | 302 SS        |
|             | 316 SS   | PF22N4-C0 | ---     | Annealed (NACE)  | K-Monel® | Inconel X-750 |
|             | 4140     | PF22N4-80 | Zinc    | Rc 22 Max (NACE) |          |               |
| 3/8" NPT    | 1215     | PF22N3-10 | Zinc    | ---              | **CA     | 302 SS        |
|             | 316 SS   | PF22N3-C0 | ---     | Annealed (NACE)  | K-Monel® | Inconel X-750 |
|             | 4140     | PF22N3-80 | Zinc    | Rc 22 Max (NACE) |          |               |
| 1/4" NPT    | 1215     | PF22N2-10 | Zinc    | ---              | **CA     | 302 SS        |
|             | 316 SS   | PF22N2-C0 | ---     | Annealed (NACE)  | K-Monel® | Inconel X-750 |
|             | 4140     | PF22N2-80 | Zinc    | Rc 22 Max (NACE) |          |               |



For Service to 10,000 PSI

### Packing Injection Fittings (Floating Ball-Taper Cavity)

| THREAD SIZE   | MATERIAL | PART NO.  | PLATING | HEAT TREATMENT   | BALL     |
|---------------|----------|-----------|---------|------------------|----------|
| 1/2" NPT      | 1215     | PF10N4-10 | Zinc    | ---              | **CA     |
|               | 316 SS   | PF10N4-C0 | ---     | Annealed (NACE)  | K-Monel® |
|               | 4140     | PF10N4-80 | Zinc    | Rc 22 Max (NACE) |          |
| 3/8" NPT      | 1215     | PF10N3-10 | Zinc    | ---              | **CA     |
|               | 316 SS   | PF10N3-C0 | ---     | Annealed (NACE)  | K-Monel® |
|               | 4140     | PF10N3-80 | Zinc    | Rc 22 Max (NACE) |          |
| 1/4" NPT      | 1215     | PF10N2-10 | Zinc    | ---              | **CA     |
|               | 316 SS   | PF10N2-C0 | ---     | Annealed (NACE)  | K-Monel® |
|               | 4140     | PF10N2-80 | Zinc    | Rc 22 Max (NACE) |          |
| 3/4" - 10 UNC | 1215     | PF13S6-10 | Zinc    | ---              | 302 SS   |
| 5/8" - 11 UNC | 1215     | PF12S5-10 | Zinc    | ---              | 302 SS   |

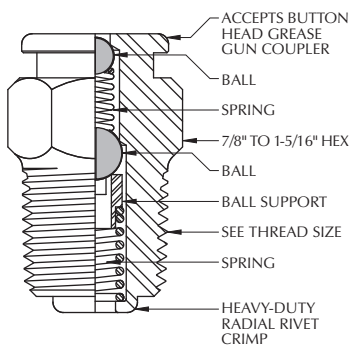


For Service to 10,000 PSI

\*\*CA=AISI 52100 Chrome Alloy ~ Other materials and plating available upon request. PLEASE CONSULT FACTORY FOR PRODUCT AVAILABILITIES.

# GIANT BUTTON HEAD FITTINGS

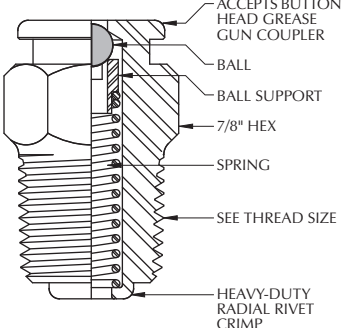
## Double Ball Check



| THREAD SIZE   | MATERIAL | PART NO.  | PLATING | HEAT TREATMENT   | BALL     | SPRING        |
|---------------|----------|-----------|---------|------------------|----------|---------------|
| 1" NPT        | 1215     | GB11N8-10 | Zinc    | ---              | **CA     | 302 SS        |
|               | 316 SS   | GB11N8-C0 | ---     | Annealed (NACE)  | K-Monel® | Inconel X-750 |
|               | 4140     | GB11N8-80 | Zinc    | Rc 22 Max (NACE) |          |               |
| 3/4" NPT      | 1215     | GB11N6-10 | Zinc    | ---              | CA       | 302 SS        |
|               | 316 SS   | GB11N6-C0 | ---     | Annealed (NACE)  | K-Monel® | Inconel X-750 |
|               | 4140     | GB11N6-80 | Zinc    | Rc 22 Max (NACE) |          |               |
| 1/2" NPT      | 1215     | GB11N4-10 | Zinc    | ---              | CA       | 302 SS        |
|               | 316 SS   | GB11N4-C0 | ---     | Annealed (NACE)  | K-Monel® | Inconel X-750 |
|               | 4140     | GB11N4-80 | Zinc    | Rc 22 Max (NACE) |          |               |
| 3/8" NPT      | 1215     | GB11N3-10 | Zinc    | ---              | CA       | 302 SS        |
|               | 316 SS   | GB11N3-C0 | ---     | Annealed (NACE)  | K-Monel® | Inconel X-750 |
|               | 4140     | GB11N3-80 | Zinc    | Rc 22 Max (NACE) |          |               |
| 1/4" NPT      | 1215     | GB11N2-10 | Zinc    | ---              | CA       | 302 SS        |
|               | 316 SS   | GB11N2-C0 | ---     | Annealed (NACE)  | K-Monel® | Inconel X-750 |
|               | 4140     | GB11N2-80 | Zinc    | Rc 22 Max (NACE) |          |               |
| 3/4" - 10 UNC | 1215     | GB16S6-10 | Zinc    | ---              | CA       | 302 SS        |
| 5/8" - 11 UNC | 1215     | GB17S5-10 | Zinc    | ---              | CA       | 302 SS        |

*For Service to 10,000 PSI*

## Single Ball Check



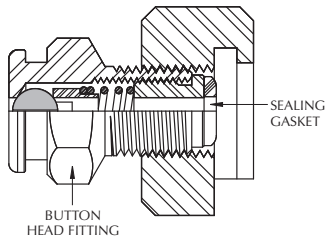
| THREAD SIZE   | MATERIAL | PART NO.  | PLATING | HEAT TREATMENT   | BALL     | SPRING        |
|---------------|----------|-----------|---------|------------------|----------|---------------|
| 1/2" NPT      | 1215     | GB10N4-10 | Zinc    | ---              | **CA     | 302 SS        |
|               | 316 SS   | GB10N4-C0 | ---     | Annealed (NACE)  | K-Monel® | Inconel X-750 |
|               | 4140     | GB10N4-80 | Zinc    | Rc 22 Max (NACE) |          |               |
| 3/8" NPT      | 1215     | GB10N3-10 | Zinc    | ---              | CA       | 302 SS        |
|               | 316 SS   | GB10N3-C0 | ---     | Annealed (NACE)  | K-Monel® | Inconel X-750 |
|               | 4140     | GB10N3-80 | Zinc    | Rc 22 Max (NACE) |          |               |
| 1/4" NPT      | 1215     | GB10N2-10 | Zinc    | ---              | CA       | 302 SS        |
|               | 316 SS   | GB10N2-C0 | ---     | Annealed (NACE)  | K-Monel® | Inconel X-750 |
|               | 4140     | GB10N2-80 | Zinc    | Rc 22 Max (NACE) |          |               |
| 1/8" NPT      | 1215     | GB10N1-10 | Zinc    | ---              | CA       | 302 SS        |
|               | 316 SS   | GB10N1-C0 | ---     | Annealed (NACE)  | K-Monel® | Inconel X-750 |
|               | 4140     | GB10N1-80 | Zinc    | Rc 22 Max (NACE) |          |               |
| 3/8" - 16 UNC | 1215     | GB18S3-10 | Zinc    | ---              | CA       | 302 SS        |

*For Service to 10,000 PSI*

## LEAK LOCK FITTINGS

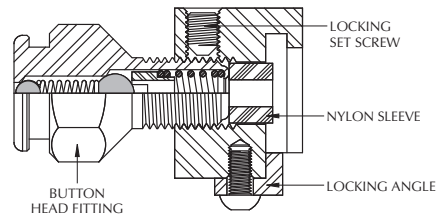
*for temporary sealing of leaking button head fittings*

### Standard Style



| APPLICATION               | PART NO. |
|---------------------------|----------|
| For Giant Button Heads    | LL1      |
| For Standard Button Heads | LL2      |

### Nylon Insert / Lock-On Style



| APPLICATION               | PART NO. |
|---------------------------|----------|
| For Giant Button Heads    | LL1-NL   |
| For Standard Button Heads | LL2-NL   |

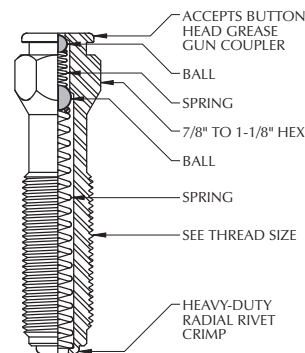
PLEASE CONSULT FACTORY FOR PRODUCT AVAILABILITIES. \*\*CA=AISI 52100 Chrome Alloy ~ Other materials and plating available upon request.



# COMBINATION LUBRICANT/STICK INJECTORS

## Double Ball Check

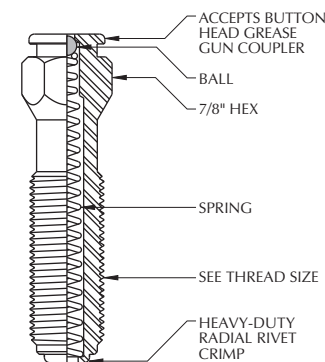
| THREAD SIZE   | MATERIAL | PART NO.  | PLATING | HEAT TREATMENT  | BALL     | SPRING        | OAL     |
|---------------|----------|-----------|---------|-----------------|----------|---------------|---------|
| 3/4" NPSM     | 1215     | CL11P6-10 | Zinc    | ---             | **CA     | 302 SS        | 4-5/8"  |
|               | 316 SS   | CL11P6-C0 | ---     | Annealed (NACE) | K-Monel® | Inconel X-750 | 4-5/8"  |
| 1/2" NPSM     | 1215     | CL11P4-10 | Zinc    | ---             | CA       | 302 SS        | 3-9/16" |
|               | 316 SS   | CL11P4-C0 | ---     | Annealed (NACE) | K-Monel® | Inconel X-750 | 3-9/16" |
| 3/8" NPSM     | 1215     | CL11P3-10 | Zinc    | ---             | CA       | 302 SS        | 3-1/4"  |
|               | 316 SS   | CL11P3-C0 | ---     | Annealed (NACE) | K-Monel® | Inconel X-750 | 3-1/4"  |
| 1/4" NPSM     | 1215     | CL11P2-10 | Zinc    | ---             | CA       | 302 SS        | 2-7/16" |
|               | 316 SS   | CL11P2-C0 | ---     | Annealed (NACE) | K-Monel® | Inconel X-750 | 2-7/16" |
| 7/8" - 9 UNC  | 1215     | CL16S7-10 | Zinc    | ---             | CA       | 302 SS        | 3-1/8"  |
| 3/4" - 10 UNC | 1215     | CL14S6-10 | Zinc    | ---             | CA       | 302 SS        | 3-1/16" |
| 5/8" - 11 UNC | 1215     | CL15S5-10 | Zinc    | ---             | CA       | 302 SS        | 2-7/8"  |



For Service to 10,000 PSI

## Single Ball Check

| THREAD SIZE   | MATERIAL | PART NO.  | PLATING | HEAT TREATMENT  | BALL     | SPRING        | OAL     |
|---------------|----------|-----------|---------|-----------------|----------|---------------|---------|
| 3/4" NPSM     | 1215     | CL10P6-10 | Zinc    | ---             | **CA     | 302 SS        | 4-3/4"  |
|               | 316 SS   | CL10P6-C0 | ---     | Annealed (NACE) | K-Monel® | Inconel X-750 | 4-3/4"  |
| 1/2" NPSM     | 1215     | CL10P4-10 | Zinc    | ---             | CA       | 302 SS        | 3-5/8"  |
|               | 316 SS   | CL10P4-C0 | ---     | Annealed (NACE) | K-Monel® | Inconel X-750 | 3-5/8"  |
| 3/8" NPSM     | 1215     | CL10P3-10 | Zinc    | ---             | CA       | 302 SS        | 3-1/32" |
|               | 316 SS   | CL10P3-C0 | ---     | Annealed (NACE) | K-Monel® | Inconel X-750 | 3-1/32" |
| 1/4" NPSM     | 1215     | CL10P2-10 | Zinc    | ---             | CA       | 302 SS        | 2-3/8"  |
|               | 316 SS   | CL10P2-C0 | ---     | Annealed (NACE) | K-Monel® | Inconel X-750 | 2-3/8"  |
| 1" - 10 UNC   | 1215     | CL21S8-10 | Zinc    | ---             | CA       | 302 SS        | 4-5/8"  |
| 3/4" - 10 UNC | 1215     | CL10S6-10 | Zinc    | ---             | CA       | 302 SS        | 3-9/32" |
| 1/2" - 13 UNC | 1215     | CL10S4-10 | Zinc    | ---             | CA       | 302 SS        | 2-1/8"  |
| 3/8" - 16 UNC | 1215     | CL17S3-10 | Zinc    | ---             | CA       | 302 SS        | 1-1/2"  |



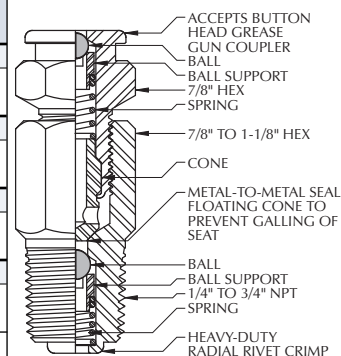
For Service to 10,000 PSI

with floating cone to prevent galling of seat **LOCK SEAL FITTINGS**

## Double Ball Check - 2 Piece Metal-to-Metal Seal with Floating Cone to Prevent Galling of Seat

NOTE: This fitting is available as Free Flow style.

| THREAD SIZE | MATERIAL | PART NO.  | PLATING | HEAT TREATMENT   | BALL     | SPRING        |
|-------------|----------|-----------|---------|------------------|----------|---------------|
| 3/4" NPT    | 1215     | LS10N6-10 | Zinc    | ---              | **CA     | 302 SS        |
|             | 316 SS   | LS10N6-C0 | ---     | Annealed (NACE)  | K-Monel® | Inconel X-750 |
| 1/2" NPT    | 1215     | LS10N4-10 | Zinc    | ---              | CA       | 302 SS        |
|             | 316 SS   | LS10N4-C0 | ---     | Annealed (NACE)  | K-Monel® | Inconel X-750 |
|             | 4140     | LS10N4-80 | Zinc    | Rc 22 Max (NACE) | K-Monel® | Inconel X-750 |
| 3/8" NPT    | 1215     | LS10N3-10 | Zinc    | ---              | CA       | 302 SS        |
|             | 316 SS   | LS10N3-C0 | ---     | Annealed (NACE)  | K-Monel® | Inconel X-750 |
|             | 4140     | LS10N3-80 | Zinc    | Rc 22 Max (NACE) | K-Monel® | Inconel X-750 |
| 1/4" NPT    | 1215     | LS10N2-10 | Zinc    | ---              | CA       | 302 SS        |
|             | 316 SS   | LS10N2-C0 | ---     | Annealed (NACE)  | K-Monel® | Inconel X-750 |
|             | 4140     | LS10N2-80 | Zinc    | Rc 22 Max (NACE) | K-Monel® | Inconel X-750 |



For Service to 10,000 PSI

\*\*CA=AISI 52100 Chrome Alloy ~ Other materials and plating available upon request. PLEASE CONSULT FACTORY FOR PRODUCT AVAILABILITIES.

# BODY VENT (BLEEDER) FITTINGS

## Standard Hex Head Style

| THREAD SIZE | MATERIAL | PART NO.   | HEX SIZE | OAL     | PLATING | HEAT TREATMENT   | BALL   |
|-------------|----------|------------|----------|---------|---------|------------------|--------|
| 1-1/2" NPT  | 1215     | BV10N12-10 | 2"       | 2-5/8"  | Zinc    | - - -            | 440 SS |
|             | 316 SS   | BV10N12-C0 | 2"       | 2-5/8"  | Zinc    | Annealed (NACE)  | **TC   |
|             | 4140     | BV10N12-80 |          |         |         | Rc 22 Max (NACE) |        |
| 1-1/4" NPT  | 1215     | BV10N10-10 | 1-3/4"   | 2-5/16" | Zinc    | - - -            | 440 SS |
|             | 316 SS   | BV10N10-C0 | 1-3/4"   | 2-5/16" | Zinc    | Annealed (NACE)  | TC     |
|             | 4140     | BV10N10-80 |          |         |         | Rc 22 Max (NACE) |        |
| 1" NPT      | 1215     | BV10N8-10  | 1-5/16"  | 2-3/16" | Zinc    | - - -            | 440 SS |
|             | 316 SS   | BV10N8-C0  | 1-5/16"  | 2-3/16" | Zinc    | Annealed (NACE)  | TC     |
|             | 4140     | BV10N8-80  |          |         |         | Rc 22 Max (NACE) |        |
| 3/4" NPT    | 1215     | BV10N6-10  | 1-1/8"   | 1-5/8"  | Zinc    | - - -            | 440 SS |
|             | 316 SS   | BV10N6-C0  | 1-1/8"   | 1-5/8"  | Zinc    | Annealed (NACE)  | TC     |
|             | 4140     | BV10N6-80  |          |         |         | Rc 22 Max (NACE) |        |
| 1/2" NPT    | 1215     | BV10N4-10  | 7/8"     | 1-1/2"  | Zinc    | - - -            | 440 SS |
|             | 316 SS   | BV10N4-C0  | 7/8"     | 1-1/2"  | Zinc    | Annealed (NACE)  | TC     |
|             | 4140     | BV10N4-80  |          |         |         | Rc 22 Max (NACE) |        |
| 3/8" NPT    | 1215     | BV10N3-10  | 7/8"     | 1-9/16" | Zinc    | - - -            | 440 SS |
|             | 316 SS   | BV10N3-C0  | 7/8"     | 1-9/16" | Zinc    | Annealed (NACE)  | TC     |
|             | 4140     | BV10N3-80  |          |         |         | Rc 22 Max (NACE) |        |
| 1/4" NPT    | 1215     | BV10N2-10  | 7/8"     | 1-5/8"  | Zinc    | - - -            | 440 SS |
|             | 316 SS   | BV10N2-C0  | 7/8"     | 1-5/8"  | Zinc    | Annealed (NACE)  | TC     |
|             | 4140     | BV10N2-80  |          |         |         | Rc 22 Max (NACE) |        |

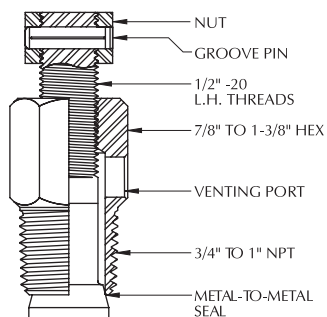
**For Service to 10,000 PSI**

## Hex Socket Head Style

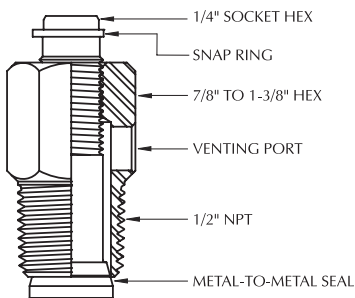
| THREAD SIZE | MATERIAL | PART NO.     | HEX SIZE | OAL     | PLATING | HEAT TREATMENT   | BALL   |
|-------------|----------|--------------|----------|---------|---------|------------------|--------|
| 3/4" NPT    | 1215     | BV10N6-10-T1 | 1-1/8"   | 1-5/8"  | Zinc    | - - -            | 440 SS |
|             | 316 SS   | BV10N6-C0-T1 | 1-1/8"   | 1-5/8"  | Zinc    | Annealed (NACE)  | **TC   |
|             | 4140     | BV10N6-80-T1 |          |         |         | Rc 22 Max (NACE) |        |
| 1/2" NPT    | 1215     | BV10N4-10-T1 | 7/8"     | 1-1/2"  | Zinc    | - - -            | 440 SS |
|             | 316 SS   | BV10N4-C0-T1 | 7/8"     | 1-1/2"  | Zinc    | Annealed (NACE)  | TC     |
|             | 4140     | BV10N4-80-T1 |          |         |         | Rc 22 Max (NACE) |        |
| 3/8" NPT    | 1215     | BV10N3-10-T1 | 7/8"     | 1-9/16" | Zinc    | - - -            | 440 SS |
|             | 316 SS   | BV10N3-C0-T1 | 7/8"     | 1-9/16" | Zinc    | Annealed (NACE)  | TC     |
|             | 4140     | BV10N3-80-T1 |          |         |         | Rc 22 Max (NACE) |        |
| 1/4" NPT    | 1215     | BV10N2-10-T1 | 7/8"     | 1-5/8"  | Zinc    | - - -            | 440 SS |
|             | 316 SS   | BV10N2-C0-T1 | 7/8"     | 1-5/8"  | Zinc    | Annealed (NACE)  | TC     |
|             | 4140     | BV10N2-80-T1 |          |         |         | Rc 22 Max (NACE) |        |

**For Service to 10,000 PSI**

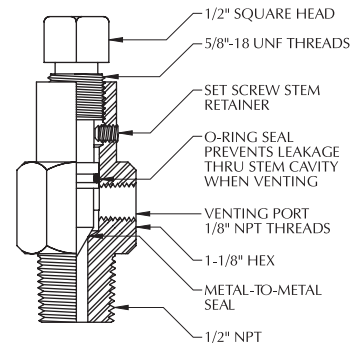
## Optional Style of Body Vent (Bleeder) Fittings



| THREAD SIZE | MATERIAL |          | PART NO.  |
|-------------|----------|----------|-----------|
|             | BODY     | STEM     |           |
| 1" NPT      | 1018     | 4140     | BV1-C-10  |
|             | 316 SS   | K-Monel® | BV1-C-2   |
| 3/4" NPT    | 1018     | 4140     | BV34-C-10 |
|             | 316 SS   | K-Monel® | BV34-C-2  |



| THREAD SIZE | MATERIAL |        | PART NO.     |
|-------------|----------|--------|--------------|
|             | BODY     | STEM   |              |
| 1/2" NPT    | 1018     | 4140   | BV12-C-10-Y2 |
|             | 316 SS   | 17-4pH | BV12-C-2-Y2  |

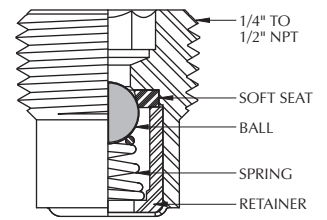


| THREAD SIZE | MATERIAL |        | PART NO.  |
|-------------|----------|--------|-----------|
|             | BODY     | STEM   |           |
| 1/2" NPT    | 12L14    | 316 SS | BV16N4-20 |
|             | 1018     | 316 SS | BV16N4-30 |
|             | 316 SS   | 316 SS | BV16N4-C0 |

PLEASE CONSULT FACTORY FOR PRODUCT AVAILABILITIES. \*\*TC=Tungsten Carbide ~ Other materials and plating available upon request.

## Single Ball Check, Soft Seat, Spring Biased

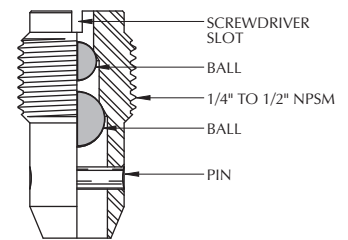
| THREAD SIZE | MATERIAL | PART NO.  | PLATING | HEAT TREATMENT   | BALL     | SPRING        | OAL    |
|-------------|----------|-----------|---------|------------------|----------|---------------|--------|
| 1/2" NPT    | 316 SS   | IC10N4-C0 | ---     | Annealed (NACE)  | K-Monel® | Inconel X-750 | 15/16" |
|             | 4140     | IC10N4-80 | Zinc    | Rc 22 Max (NACE) | K-Monel® | Inconel X-750 | 15/16" |
| 3/8" NPT    | 316 SS   | IC10N3-C0 | ---     | Annealed (NACE)  | K-Monel® | Inconel X-750 | 7/8"   |
|             | 4140     | IC10N3-80 | Zinc    | Rc 22 Max (NACE) | K-Monel® | Inconel X-750 | 7/8"   |
| 1/4" NPT    | 316 SS   | IC10N2-C0 | ---     | Annealed (NACE)  | K-Monel® | Inconel X-750 | 3/4"   |
|             | 4140     | IC10N2-80 | Zinc    | Rc 22 Max (NACE) | K-Monel® | Inconel X-750 | 3/4"   |
| 1/4" NPT    | 316 SS   | IC11N2-C0 | ---     | Annealed (NACE)  | K-Monel® | Inconel X-750 | 21/32" |
|             | 4140     | IC11N2-80 | Zinc    | Rc 22 Max (NACE) | K-Monel® | Inconel X-750 | 21/32" |



*For Service to 10,000 PSI*

## Double Ball Check (Floating)

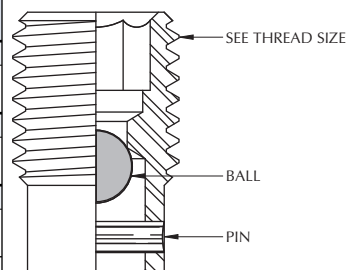
| THREAD SIZE | MATERIAL | PART NO.  | PLATING | HEAT TREATMENT  | BALL     | OAL     |
|-------------|----------|-----------|---------|-----------------|----------|---------|
| 1/2" NPSM   | 1215     | IC12P4-10 | Zinc    | ---             | **CA     | 1-5/8"  |
|             | 316 SS   | IC12P4-C0 | ---     | Annealed (NACE) | K-Monel® | 1-5/8"  |
| 3/8" NPSM   | 1215     | IC12P3-10 | Zinc    | ---             | CA       | 1-9/32" |
|             | 316 SS   | IC12P3-C0 | ---     | Annealed (NACE) | K-Monel® | 1-9/32" |
| 1/4" NPSM   | 1215     | IC12P2-10 | Zinc    | ---             | CA       | 1"      |
|             | 316 SS   | IC12P2-C0 | ---     | Annealed (NACE) | K-Monel® | 1"      |



*For Service to 10,000 PSI*

## Single Ball Check (Floating)

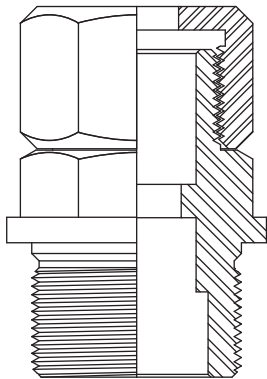
| THREAD SIZE   | MATERIAL | PART NO.  | PLATING | HEAT TREATMENT   | BALL     | OAL     |
|---------------|----------|-----------|---------|------------------|----------|---------|
| 1" - 8 UNC    | 1215     | IC13S8-10 | Zinc    | ---              | **CA     | 1-9/16" |
|               | 316 SS   | IC13S8-C0 | ---     | Annealed (NACE)  | K-Monel® | 1-9/16" |
|               | 4140     | IC13S8-80 | Zinc    | Rc 22 Max (NACE) | K-Monel® | 1-9/16" |
| 7/8" - 9 UNC  | 1215     | IC13S7-10 | Zinc    | ---              | CA       | 1-7/16" |
|               | 316 SS   | IC13S7-C0 | ---     | Annealed (NACE)  | K-Monel® | 1-7/16" |
|               | 4140     | IC13S7-80 | Zinc    | Rc 22 Max (NACE) | K-Monel® | 1-7/16" |
| 3/4" - 10 UNC | 1215     | IC13S6-10 | Zinc    | ---              | CA       | 1-1/4"  |
|               | 316 SS   | IC13S6-C0 | ---     | Annealed (NACE)  | K-Monel® | 1-1/4"  |
|               | 4140     | IC13S6-80 | Zinc    | Rc 22 Max (NACE) | K-Monel® | 1-1/4"  |



\*\*CA=AISI 52100 Chrome Alloy ~ Other materials and plating available upon request. PLEASE CONSULT FACTORY FOR PRODUCT AVAILABILITIES.

# ORIFICE FITTING COMPONENTS

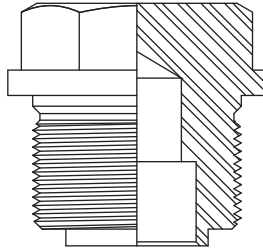
## Stuffing Box with Nut



1-9/16" - 16 UNS

| MATERIAL | PART NO. | PLATING |
|----------|----------|---------|
| 1215     | ASB1562  | Zinc    |

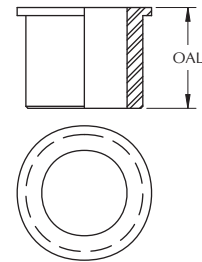
## Bearing Plug



1-9/16" - 16 UNS

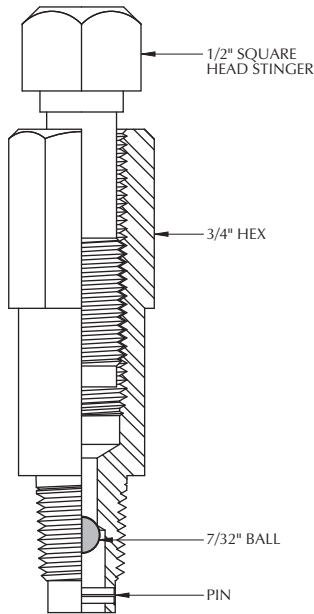
| MATERIAL | PART NO. | PLATING |
|----------|----------|---------|
| 1215     | BP1562   | Zinc    |

## Packing (Gland) Retainer



| DESCRIPTION          | PART NO.   | MATERIAL |
|----------------------|------------|----------|
| 5/8" I.D. x 1/4" OAL | PG625X25-2 | 316 SS   |
| 5/8" I.D. x 3/4" OAL | PG625X75-2 | 316 SS   |

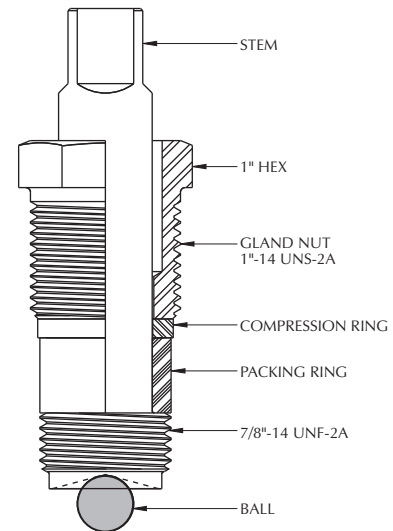
## Injection Fitting



INJECTION FITTING - "GREASE GUN" 1/4" NPT

| MATERIAL | PART NO.  | PLATING | HEAT TREATMENT   | BALL     |
|----------|-----------|---------|------------------|----------|
| 1215     | PIF14-D   | Zinc    | - - -            | **CA     |
| 316 SS   | PIF14-D-2 | - - -   | Annealed (NACE)  | K-Monel® |
| 4140     | PIF14-D-3 | Zinc    | Rc 22 Max (NACE) | K-Monel® |

## Equalizer Assembly



**SOLD AS AN ASSEMBLY ONLY.**  
**COMPONENTS NOT READILY AVAILABLE FOR INDIVIDUAL SALE.**

| THREAD SIZE   | PART NO.  | STEM   | COMPRESSION RING | PACKING RING | GLAND NUT | BALL   |
|---------------|-----------|--------|------------------|--------------|-----------|--------|
| 7/8" - 14 UNF | EQ78-2    | 316 SS | 316 SS           | Teflon®      | 1215      | 440 SS |
|               | EQ78-SP-2 | 316 SS | 316 SS           | Teflon®      | 316 SS    | 440 SS |

PLEASE CONSULT FACTORY FOR PRODUCT AVAILABILITIES. \*\*CA=AISI 52100 Chrome Alloy ~ Other materials, plating and configurations available upon request.

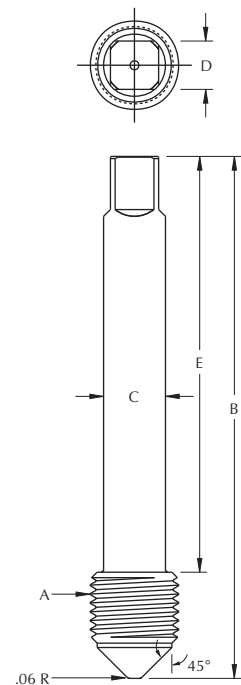
# WELLHEAD AND TREE COMPONENTS

Other materials, plating and configurations available upon request. Please consult factory for product availabilities.

**NOTE:** Standard Lockscrews are produced from AISI 4140 material and heat treated to meet the requirements of ASTM A193 Grade B-7. Plating is Zinc.

## Lockscrews

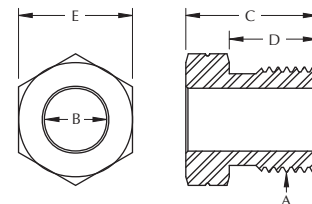
| A<br>THREAD   | B<br>LENGTH | C<br>DIAMETER | D<br>FLATS | E<br>LENGTH | PART NO.   | STANDARD GLAND |
|---------------|-------------|---------------|------------|-------------|------------|----------------|
| 1-1/2"-8 UN   | 10-1/8"     | 1-1/8"        | 1"         | 7-5/16"     | LP19S12-80 | PG16S14-10     |
| 1-1/2"-8 UN   | 12"         | 1-1/8"        | 1"         | 9-5/32"     | LP20S12-80 | PG16S14-10     |
| 1-1/4"-12 UNF | 6-7/8"      | 1"            | 3/4"       | 5-1/2"      | LP14S10-80 | PG13S13-10     |
| 1-1/4"-12 UNF | 7-5/8"      | 1"            | 3/4"       | 6-13/64"    | LP15S10-80 | PG13S13-10     |
| 1-1/4"-12 UNF | 9"          | 1"            | 3/4"       | 7-9/16"     | LP16S10-80 | PG13S13-10     |
| 1-1/4"-12 UNF | 10"         | 1"            | 3/4"       | 8-9/16"     | LP17S10-80 | PG13S13-10     |
| 1-1/4"-12 UNF | 11"         | 1"            | 3/4"       | 9-9/16"     | LP18S10-80 | PG13S13-10     |
| 1-1/4"-12 UNF | 12-1/4"     | 1"            | 3/4"       | 10-15/16"   | LP22S10-80 | PG13S13-10     |
| 1-1/4"-12 UNF | 13-1/2"     | 1"            | 3/4"       | 12-1/8"     | LP25S10-80 | PG13S13-10     |
| 1-1/4"-12 UNF | 7"          | 7/8"          | 11/16"     | 5-5/8"      | LP23S10-80 | PG13S13-10     |
| 1-1/4"-7 UNC  | 7-1/4"      | 1"            | 3/4"       | 5-3/4"      | LP06S10-80 | PG15S14-10     |
| 1-1/4"-7 UNC  | 9-1/2"      | 1"            | 3/4"       | 8-1/16"     | LP07S10-80 | PG15S14-10     |
| 1-1/4"-7 UNC  | 10-1/2"     | 1"            | 3/4"       | 8-9/16"     | LP08S10-80 | PG15S14-10     |
| 1-1/4"-7 UNC  | 7"          | 7/8"          | 3/4"       | 5-1/2"      | LP05S10-80 | PG12S12-10     |
| 1-1/4"-7 UNC  | 9-3/4"      | 7/8"          | 11/16"     | 8-1/4"      | LP26S10-80 | PG12S12-10     |
| 1-1/4"-8 UN   | 6-3/4"      | 7/8"          | 11/16"     | 5-1/4"      | LP09S10-80 | PG11S12-10     |
| 1-1/4"-8 UN   | 7-3/8"      | 7/8"          | 11/16"     | 5-7/8"      | LP10S10-80 | PG11S12-10     |
| 1-1/4"-8 UN   | 8-3/4"      | 7/8"          | 11/16"     | 7-1/4"      | LP11S10-80 | PG11S12-10     |
| 1-1/4"-8 UN   | 10-1/8"     | 7/8"          | 11/16"     | 8-3/16"     | LP12S10-80 | N/A            |
| 1-1/4"-8 UN   | 11-1/2"     | 7/8"          | 11/16"     | 10-1/16"    | LP13S10-80 | PG11S12-10     |
| 1-1/8"-8 UN   | 7-1/4"      | 13/16"        | 11/16"     | 5-29/32"    | LP01S9-80  | PG14S12-10     |
| 1-1/8"-8 UN   | 8-3/4"      | 13/16"        | 11/16"     | 7-5/16"     | LP02S9-80  | PG14S12-10     |
| 1-1/8"-8 UN   | 9-3/4"      | 13/16"        | 11/16"     | 7-3/4"      | LP03S9-80  | PG14S12-10     |



**NOTE:** Standard Glands are produced from 1215 material and Zinc plated.

## Packing Glands; Type "A"

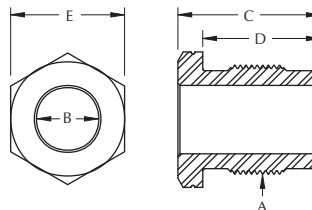
| A<br>THREAD  | B<br>BORE | C<br>LENGTH | D<br>LENGTH | E<br>HEX | PART NO.   | JUNK RING<br>REQUIRED |
|--------------|-----------|-------------|-------------|----------|------------|-----------------------|
| 1-1/2"-6 UNC | 57/64"    | 1-1/4"      | 7/8"        | 1-5/8"   | PG10S12-10 | JR11-10               |
| 1-1/2"-8 UN  | 57/64"    | 1-7/8"      | 1-1/4"      | 1-5/8"   | PG11S12-10 | JR12-10 or JR11-10    |
| 1-1/2"-10 UN | 57/64"    | 1-7/8"      | 1-1/4"      | 1-5/8"   | PG12S12-10 | JR11-10               |
| 1-3/4"-8 UN  | 1-5/32"   | 2-3/4"      | 1-5/16"     | 2"       | PG16S14-10 | JR14-10               |



**NOTE:** Standard Glands are produced from 1215 material and Zinc plated.

## Packing Glands; Type "B"

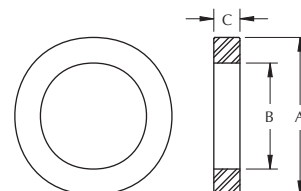
| A<br>THREAD   | B<br>BORE | C<br>LENGTH | D<br>LENGTH | E<br>HEX | PART NO.   | JUNK RING<br>REQUIRED |
|---------------|-----------|-------------|-------------|----------|------------|-----------------------|
| 1-5/8"-12 UN  | 1-1/32"   | 2-1/8"      | 1-3/4"      | 1-3/4"   | PG13S13-10 | JR10-10               |
| 1-1/2"-12 UNF | 53/64"    | 2-11/16"    | 1-15/16"    | 1-1/2"   | PG14S12-10 | JR12-10 or JR20-10    |
| 1-3/4"-12 UN  | 1-1/64"   | 2-11/16"    | 1-15/16"    | 1-3/4"   | PG15S14-10 | JR10-10               |



**NOTE:** Standard Junk Rings are produced from 1215 material and Zinc plated.

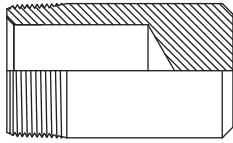
## Junk Rings

| A<br>O.D. | B<br>I.D. | C<br>THICKNESS | PART NO. |
|-----------|-----------|----------------|----------|
| 1-1/2"    | 1-1/64"   | 1/4"           | JR10-10  |
| 1-1/4"    | 57/64"    | 1/4"           | JR11-10  |
| 1-3/8"    | 57/64"    | 1/4"           | JR12-10  |
| 1-5/8"    | 1-9/64"   | 1/4"           | JR14-10  |
| 1-3/8"    | 53/64"    | 1/4"           | JR20-10  |



# WELLHEAD AND TREE COMPONENTS & PLUGS

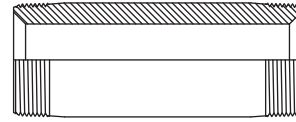
## Bull Plugs



| THREAD TYPE AND SIZE          | MATERIAL  | PART NO.  | OAL    | I.D.   |
|-------------------------------|-----------|-----------|--------|--------|
| 2" LP Plain                   | 1040/1045 | C3-009-40 | 4"     | 1-5/8" |
| 2" LP - 1/2" NPT              | 1040/1045 | C3-010-40 | 4"     | 1-5/8" |
| 2-3/8" - EUE-8RD - 1/2" NPT   | 1040/1045 | C3-012-40 | 5"     | 1-1/2" |
| 2-7/8" - EUE - 8RD - 1/2" NPT | 1040/1045 | C3-014-40 | 5-1/2" | 1-3/4" |

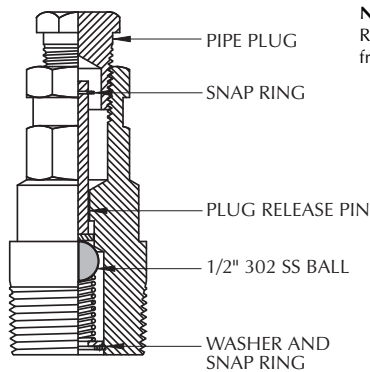
API MONOGRAMMABLE VERSIONS AVAILABLE

## Nipples



| THREAD SIZE | MATERIAL                       | PART NO.  | OAL | TUBE O.D. | TUBE I.D. |
|-------------|--------------------------------|-----------|-----|-----------|-----------|
| 2" LP       | A106 Grade B XXH Seamless Pipe | C4-002-40 | 6"  | 2.40"     | 1-1/2"    |
|             | A106 Grade B XXH Seamless Pipe | C4-003-40 | 8"  | 2.40"     | 1-1/2"    |

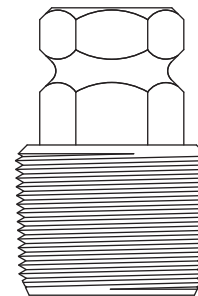
## Valve Removal Plugs - Bleeder



**NOTE:** Bleeder-Valve Removal Plugs are produced from 4140 material.

| THREAD SIZE | PART NO.   | OAL    | HEX    | PLATING | HEAT TREATMENT   |
|-------------|------------|--------|--------|---------|------------------|
| 1-1/4" LP   | VR13N10-80 | 3-1/2" | 1-1/4" | Zinc    | Rc 22 Max (NACE) |
| 1-1/2" LP   | VR13N12-80 | 3-1/2" | 1-1/4" | Zinc    | Rc 22 Max (NACE) |

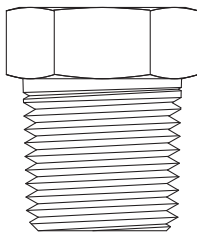
## Valve Removal Plugs - Solid



| THREAD SIZE | MATERIAL | PART NO.   | OAL    | HEX    | PLATING | HEAT TREATMENT   |
|-------------|----------|------------|--------|--------|---------|------------------|
| 1-1/4" LP   | 4140     | VR10N10-80 | 2-7/8" | 1-1/4" | Zinc    | Rc 22 Max (NACE) |
|             | 4130     | VR10N12-70 | 2-7/8" | 1-1/4" | Zinc    | Rc 22 Max (NACE) |
| 1-1/2" LP   | 4140     | VR10N12-80 | 2-7/8" | 1-1/4" | Zinc    | Rc 22 Max (NACE) |
|             | 4130     | VR11N10-70 | 2-7/8" | 1-1/8" | Zinc    | Rc 22 Max (NACE) |
| 1-1/4" LP   | 4140     | VR11N10-80 | 2-7/8" | 1-1/8" | Zinc    | Rc 22 Max (NACE) |
|             | 4140     | VR12N10-80 | 3-1/2" | 1-1/4" | Zinc    | Rc 22 Max (NACE) |
| 1-1/2" LP   | 4140     | VR12N12-80 | 3-1/2" | 1-1/4" | Zinc    | Rc 22 Max (NACE) |

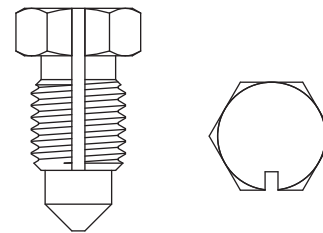
API MONOGRAMMABLE VERSIONS AVAILABLE

## Cavity Plugs



| THREAD SIZE | MATERIAL | PART NO. | HEAT TREATMENT   | PLATING |
|-------------|----------|----------|------------------|---------|
| 1" NPT      | 1215     | CP1      | ---              | Zinc    |
|             | 316 SS   | CP1-2    | Annealed (NACE)  | ---     |
|             | 4140     | CP1-3    | Rc 22 Max (NACE) | Zinc    |
| 3/4" NPT    | 1215     | CP34     | ---              | Zinc    |
|             | 316 SS   | CP34-2   | Annealed (NACE)  | ---     |
|             | 4140     | CP34-3   | Rc 22 Max (NACE) | Zinc    |
| 1/2" NPT    | 1215     | CP12     | ---              | Zinc    |
|             | 316 SS   | CP12-2   | Annealed (NACE)  | ---     |
|             | 4140     | CP12-3   | Rc 22 Max (NACE) | Zinc    |

## Packing Injection / Bleeder Plugs



| THREAD SIZE   | MATERIAL | PART NO.  | HEAT TREATMENT   | PLATING |
|---------------|----------|-----------|------------------|---------|
| 7/8" - 9 UNC  | 1215     | PIBP78    | ---              | Zinc    |
|               | 4140     | PIBP78-3  | Rc 22 Max (NACE) | Zinc    |
|               | 17-4 pH  | PIBP78-17 | HH1150 (NACE)    | ---     |
| 1/2" - 13 UNC | 1215     | PIBP12    | ---              | Zinc    |
|               | 4140     | PIBP12-3  | Rc 22 Max (NACE) | Zinc    |
|               | 17-4 pH  | PIBP12-17 | HH1150 (NACE)    | ---     |

PLEASE CONSULT FACTORY FOR PRODUCT AVAILABILITIES. Other materials, plating and configurations available upon request.



PGI International has performed contract manufacturing of quality machined components, sub-assemblies and full assemblies for over 60 years to suppliers and manufacturers of oilfield equipment, valves, actuators, instrumentation, geophysical equipment, automotive components, power plant products, construction equipment, petrochemical equipment and heat exchangers. Contract manufacturing has always been, and will continue to be, a very important segment of our business.

We are experienced in conforming to NACE, API, and ANSI specifications, with full traceability if required. We have the capabilities to machine mild and medium carbon steel, alloy steel, stainless alloy, Monel, Inconel, and aluminum. PGI International's 185,000 sq. ft. manufacturing facility includes over 200 machines in 5 machining departments and 3 assembly departments. We welcome your inquiries.

## PRODUCT QUALITY CERTIFICATIONS

### ISO 9001:2000

In 1996 PGI's Quality Management System achieved ISO 9001 certification. As a result of our continued efforts and commitment to quality, we have maintained this universal quality standard for more than 11 years, and in 2003, were recertified to ISO 9001:2000. In addition, PGI's Quality Management System ensures that our products conform to ASME standards and enables us to receive certifications from Underwriters Laboratory, Factory Mutual, CSA and D.O.T., when applicable.

### API

In November of 2005 our quality management system was audited and successfully met the requirements of the American Petroleum Institute (API) specification Q1 and API 6A, and we have therefore been granted the right to use the Official API Monogram on applicable manufactured products.

## TERMS AND CONDITIONS OF SALE

All orders are subject to acceptance by PGI International. Prices are subject to change without notice and are subject to the addition of any applicable excise or sales taxes levied by local, state, or federal authorities.

All shipments are FOB PGI International's facility in Houston, Texas USA. Orders will be accepted subject to approval of the purchaser's credit by PGI International. After credit approval, payment terms will be Net within 30 days, from shipping date, in U.S. Funds.

Deliveries may be subject to delays caused by conditions beyond the control of PGI International and PGI International is to be held harmless from damages and incidentals from these instances.

Returns of product require prior written approval. Returns not involving material deficiencies will be subject to a restocking and handling charge at the discretion of PGI International. All returns of this nature are to be shipped FOB PGI International's location.

Cancellation of orders peculiar to customer's specific design or constituting a major investment by PGI International will

be canceled only when full payment for expenses incurred is agreed to.

PGI International warrants its products to be free of defects in material and workmanship at time of shipment and conform to seller's specifications or, if applicable, to buyer's specifications accepted in writing by seller. This warranty is for one (1) year from the date of shipment and is limited to the repair or replacement of any item manufactured by PGI International.

Claims for material quality or workmanship failure are subject to inspection and approval by PGI International. PGI International is to be held harmless for any loss in excess of original purchase price of product. Since conditions of actual use are beyond control of seller, the foregoing warranty extends only to normal use and service.

No liability will be assumed by PGI International for the infringement of any patent rights asserted because of the nature, structure, or use of any products ordered by the purchaser, and the purchaser agrees to hold PGI International harmless to any such claims.

## OTHER PGI PRODUCTS AND SERVICES

Instrument Valves and Manifolds  
Power Plant Valves and Manifolds  
Direct-Mount™ Manifold Systems  
ThermoElectric Battery Chargers  
Gas and Liquid Sampling Systems  
Heated Enclosure Sampling Systems  
Thermowells & Probes  
On-Site Pulsation Testing  
Propane and Anhydrous Ammonia Valves  
Contract Machining



16101 Vallen Drive  
Houston, Texas 77041 USA  
Tel: (713) 744-9880  
(800) 231-0233  
Fax: (713) 744-9881  
[www.pgiint.com](http://www.pgiint.com)  
[sales@pgiint.com](mailto:sales@pgiint.com)