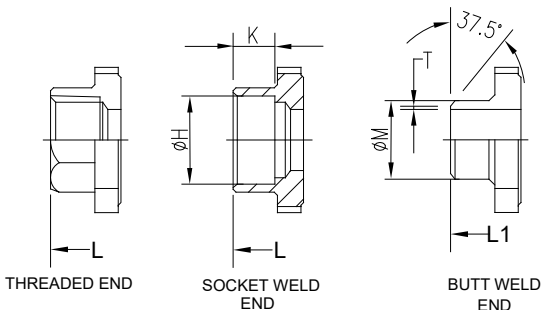
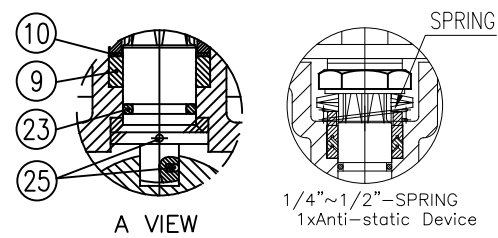
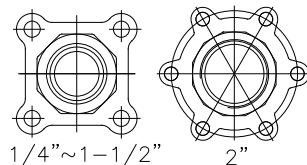
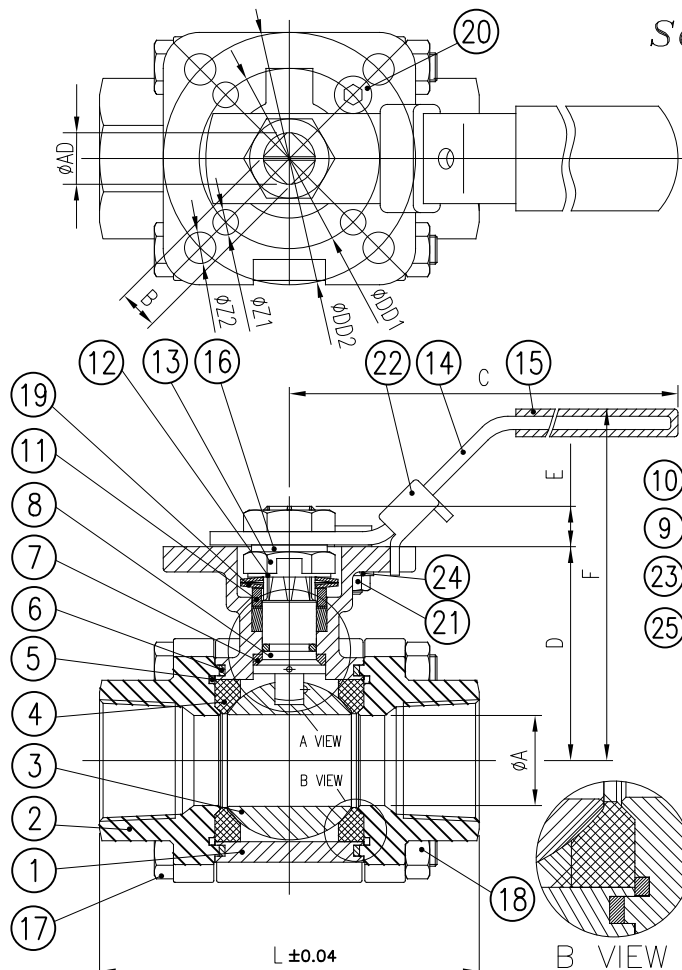


# Series F88G

DIRECT MOUNT  
3-PIECE FULL PORT BALL VALVES  
1/4"~2"  
THREADED, SOCKET WELD, BUTT WELD ENDS  
Double seal design



NO.	PART NAME	QTY	MATERIAL
1	BODY	1	ASTM A890 GRADE CE3MN
2	END CAP	2	ASTM A890 GRADE CE3MN
3	BALL	1	ASTM A890 GRADE CE3MN
4	SEAT	2	TFM™-1600
5	JOINT GASKET	2	TFM™-1600
6	JOINT GASKET	2	GRAPHITE
7	STEM SEAL	1	TFM™-1600
8	STEM	1	UNS S32750
9	STEM PACKING	1	GRAPHITE
10	GLAND WASHER	1	RTFE
11	GLAND	1	AISI 316
12	LOCK SADDLE	1	AISI 316
13	STEM NUT	2	AISI 316
14	HANDLE	1	AISI 316
15	HANDLE SLEEVE	1	VINYL
16	STEM WASHER	1	AISI 316
17	BODY BOLT	*	ASTM F593 F593E
18	BODY BOLT NUT	*	ASTM F594 F594G
19	BELLEVILLE WASHER	2	AISI 301
20	STOP BOLT	1	AISI 316
21	STOP BOLT NUT	1	AISI 316
22	HANDLE LOCK	1	AISI 316
23	O-RING	1	FKM
24	STOP BOLT WASHER	1	AISI 316
25	ANTI-STATIC DEVICE	#	AISI 316

\*1/4" to 1-1/2" - 4pcs  
\*2" - 6pcs  
#1/4" to 1/2" - 1pc  
#3/4" to 2" - 2pcs

Size	øA	B	C	D	E	F	øH	K	L	L1	øM	T	øAD	øDD1	øZ1	øDD2	øZ2	ISO 5211
1/4"	0.45	0.354	5.91	1.68	0.30	3.31	0.55	0.39	2.95	2.95	0.85	0.13	1.04	1.654	0.25	1.969	0.25	F04/F05
3/8"	0.50	0.354	5.91	1.68	0.30	3.31	0.69	0.39	2.95	2.95	0.85	0.11	1.04	1.654	0.25	1.969	0.25	F04/F05
1/2"	0.59	0.354	5.91	1.68	0.30	3.31	0.85	0.39	2.85	2.95	0.85	0.06	1.07	1.654	0.25	1.969	0.25	F04/F05
3/4"	0.79	0.354	7.17	1.84	0.34	3.31	1.07	0.51	3.36	3.54	1.07	0.06	1.07	1.969	0.28	2.756	0.34	F05/F07
1"	0.98	0.433	7.17	2.33	0.41	4.13	1.34	0.51	4.15	4.33	1.34	0.06	1.34	1.969	0.28	2.756	0.34	F05/F07
1-1/4"	1.26	0.433	7.17	2.46	0.41	4.25	1.69	0.51	4.37	4.53	1.68	0.06	1.34	1.969	0.28	2.756	0.34	F05/F07
1-1/2"	1.50	0.551	8.46	3.11	0.53	5.04	1.92	0.51	5.01	5.12	1.91	0.06	1.54	1.969	0.28	2.756	0.34	F05/F07
2"	1.97	0.551	8.46	3.45	0.53	5.39	2.40	0.63	5.62	5.62	2.38	0.06	1.54	1.969	0.30	2.756	0.35	F05/F07



9955 INTERNATIONAL BLVD.  
CINCINNATI, OHIO 45246  
PHONE: (513) 247-5465  
FAX: (513) 247-5462

TOLERANCE UNLESS OTHERWISE SPECIFIED:  
TWO PLACE DECIMAL DIM. ±0.02  
THREE PLACE DECIMAL DIM. ±0.010  
ANGULAR DIM. ±0.5°

DRAWN BY CMB  
DATE 04/22/22

CHECKED BY NPM  
DATE 04/22/22

RELEASED BY NPM  
DATE 04/22/22

HEAT #  
MATERIAL

SHEET 1 of 1

DO NOT SCALE DRAWING

DESCRIPTION  
SERIES F88G SUPER DUPLEX BALL VALVE  
SIZES 1/4" - 2", TFM-1600 SEATS  
DOUBLE SEAL DESIGN

DRAWING NO. P04176  
REVISION A

THE DESIGN AND DISCLOSURE CONTAINED IN THIS DRAWING WAS ORIGINATED BY, AND IS EXCLUSIVE PROPERTY OF A-T CONTROLS, INC. IT IS FURNISHED FOR VENDOR INFORMATION ONLY AND IS NOT AN AUTHORIZATION OR LICENSE TO MAKE THIS CONSTRUCTION OR TO FURNISH THIS INFORMATION TO OTHERS. ALL DRAWINGS MUST BE RETURNED TO A-T CONTROLS, INC. ON DEMAND. THIS DRAWING IS NOT TO BE REPRODUCED OR COPIED IN ANY FORM WITHOUT THE EXPRESS WRITTEN PERMISSION OF A-T CONTROLS, INC.