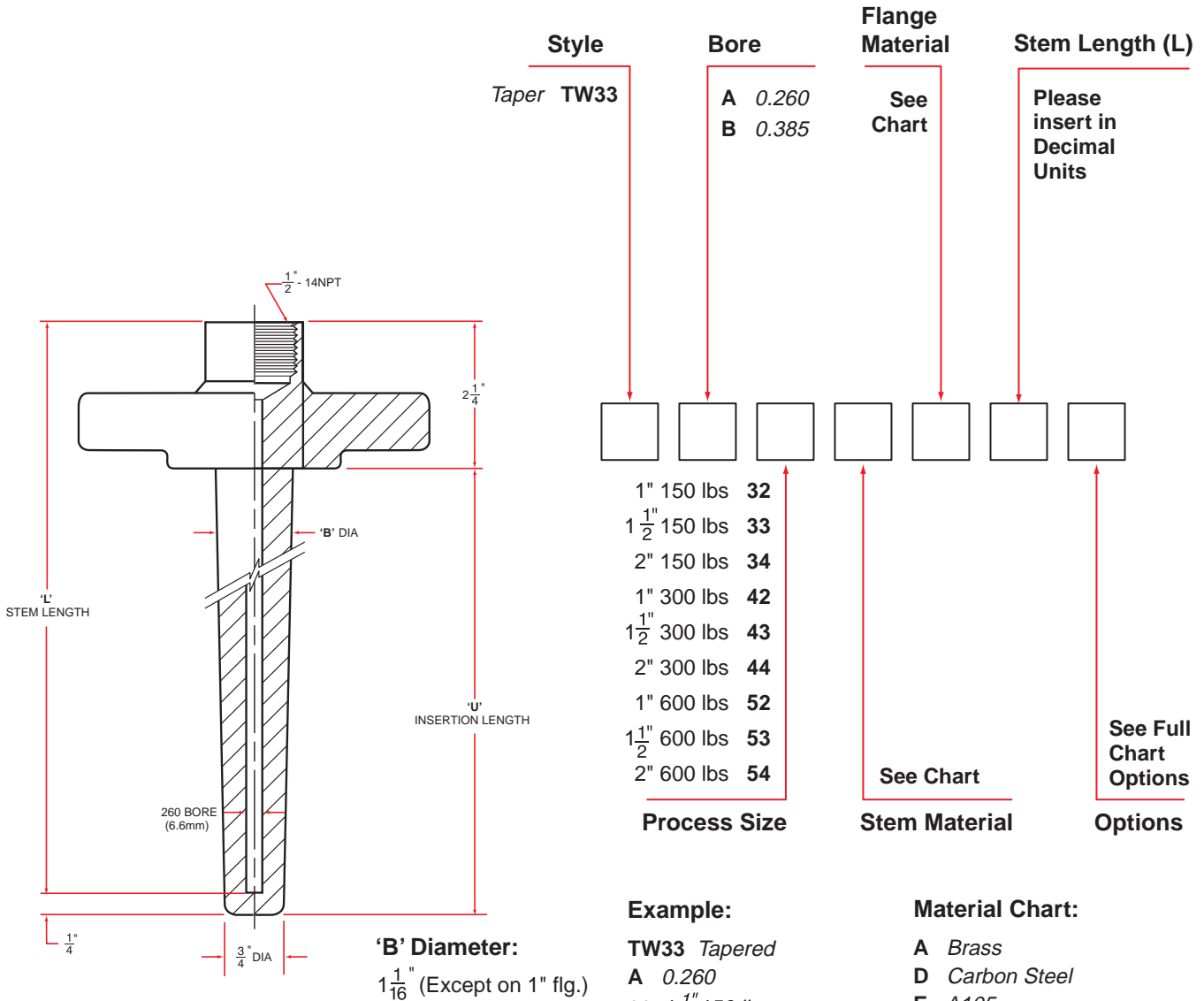


Thermowells *Flanged Tapered*

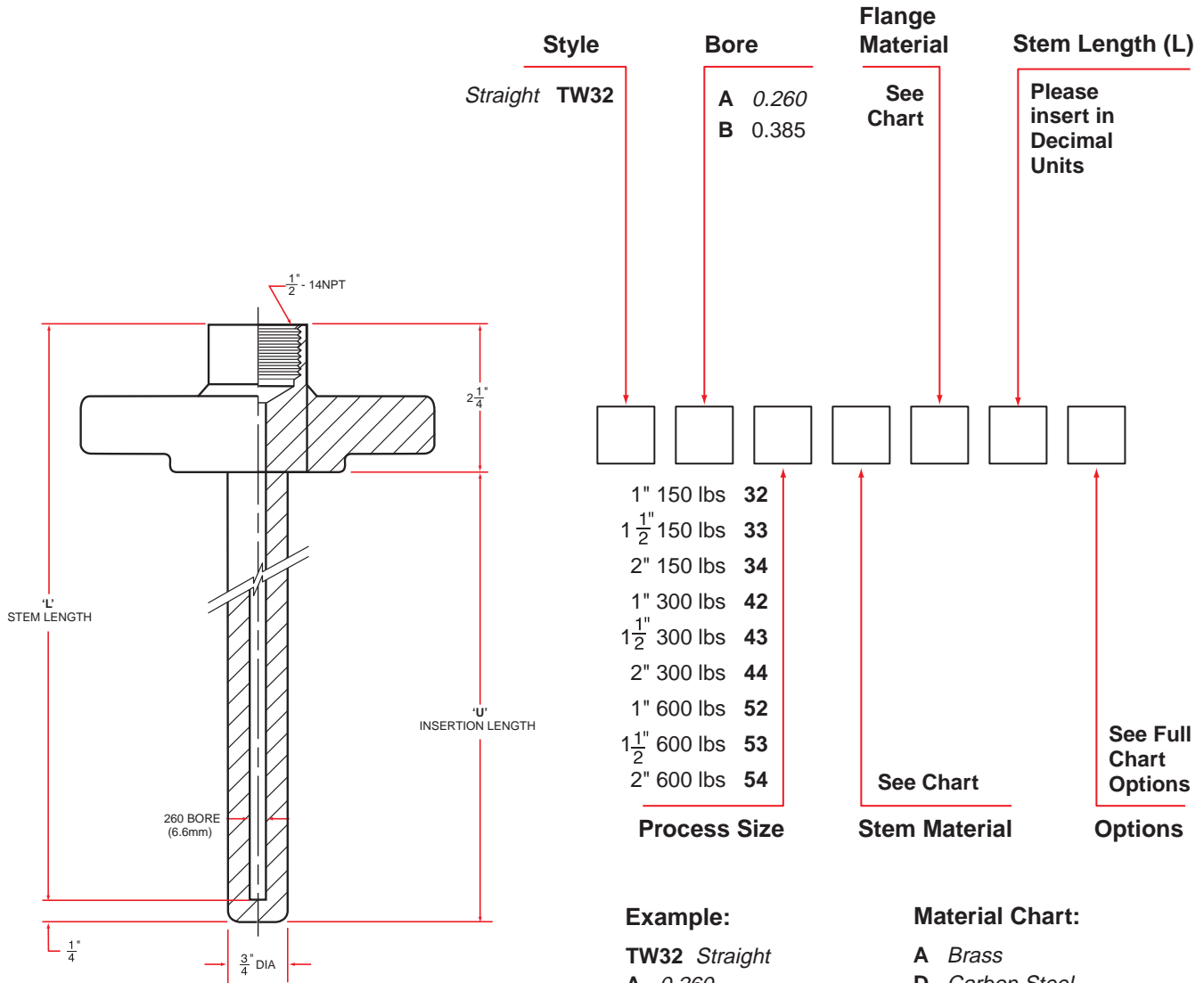


1-877-MAC-WELD (622-9353)

Tel: (519) 332-1388 Fax: (519) 332-3280

Mac-Weld.com

Thermowells *Flanged Straight*



Style
Straight TW32

Bore
A 0.260
B 0.385

Flange Material
See Chart

Stem Length (L)
Please insert in Decimal Units

<input type="text"/>	<input type="text"/>	<input type="text"/>	<input type="text"/>	<input type="text"/>	<input type="text"/>	<input type="text"/>
----------------------	----------------------	----------------------	----------------------	----------------------	----------------------	----------------------

- 1" 150 lbs 32
- 1 1/2" 150 lbs 33
- 2" 150 lbs 34
- 1" 300 lbs 42
- 1 1/2" 300 lbs 43
- 2" 300 lbs 44
- 1" 600 lbs 52
- 1 1/2" 600 lbs 53
- 2" 600 lbs 54

See Chart

See Full Chart Options

Process Size

Stem Material

Options

Example:

TW32 Straight
 A 0.260
 33 1 1/2" 150 lbs
 L 316SS Stem
 L 316SS Flange
 12 Stem Length (L) inches
 B SS Plug & Chain (option)

Material Chart:

- A Brass
- D Carbon Steel
- E A105
- F F11
- G F22
- H 304
- J 304/L
- L 316
- M 316/L
- R Monel
- T Titanium
- U Hast. C

See full chart for more material codes.

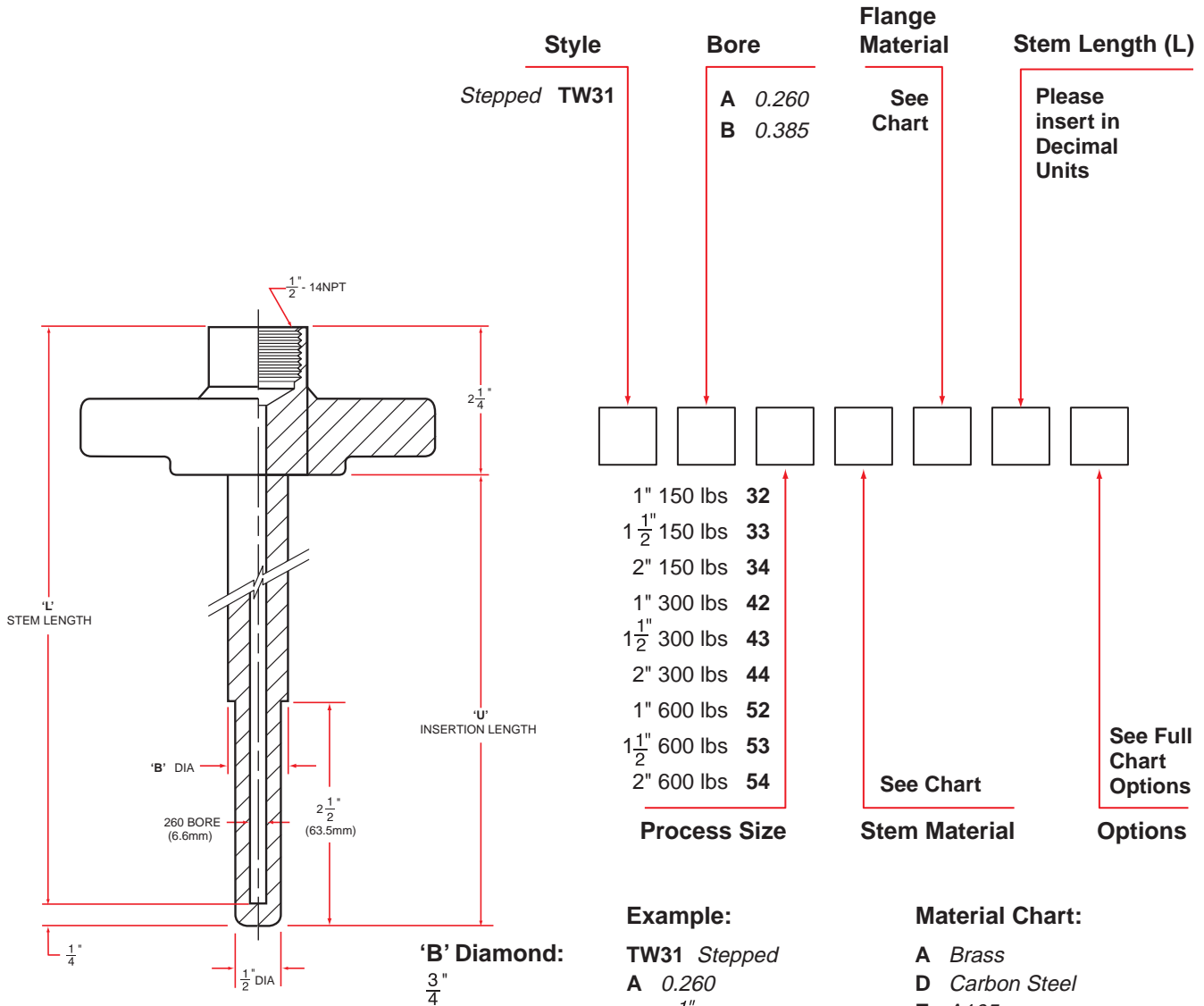


1-877-MAC-WELD (622-9353)

Tel: (519) 332-1388 Fax: (519) 332-3280

Mac-Weld.com

Thermowells *Flanged Stepped*



1-877-MAC-WELD (622-9353)

Tel: (519) 332-1388 Fax: (519) 332-3280

Mac-Weld.com