



## 621/622 SERIES

- Vacuum and compound ranges through 0 psig to 15,000 psig; absolute ranges from 0 psia to 15 psia through 0 psia to 100 psia
- Current and voltage outputs available
- 316 stainless steel and Elgiloy wetted parts
- Factory Mutual and Canadian Standards Association approved
- CE compliant to suppress RFI, EMI and ESD
- NACE MR0175/ISO 15156 compliant
- NSI/ISA-12.27.01-2003 approved single seal

### APPLICATIONS

- Chemical processing
- Gas pressure measurement
- Oil field & offshore
- Mining
- Well head measurement

NOSHOK 621 and 622 Series transmitters are Factory Mutual and Canadian Standards Association approved for use in hazardous location applications as follows:

Explosion-proof with entity approve for: Class I, Division 1, Groups A, B, C and D. Dust Ignition-proof with entity approval for class II/III, Division 1, Groups E, F and G. Maximum electrical ratings 30V, 20 mA.

CE compliant with pressure equipment directive 97/23EC. ANSI/ISA-12.27.01-2003, Approved single seal.

### SPECIFICATIONS

Output signals	4 mA to 20 mA, 2-wire; 1 Vdc to 5 Vdc, 3-wire; 0.5 Vdc to 4.5 Vdc, 3-wire
Pressure ranges	Vacuum through 0 psi to 15,000 psi Absolute from 0 psia to 15 psia through 0 psia to 100 psia
Accuracy	±0.25% full scale (BFSL) (Includes the effects of non-linearity, hysteresis, non-repeatability, zero point and full scale errors)
Stability	≤±0.2% full scale for 1 year, non-accumulating
Response time	≤1 ms (between 10% and 90% full scale)
Pressure cycle limit	150 Hz
Durability	>100,000,000 full scale cycles
Temperature ranges	Compensated 32 °F to 176 °F (0 °C to 80 °C) Zero effect ±0.011% full scale/ °F Span effect ±0.011% full scale/ °F Media T6: -40 °F to 131 °F (-40 °C to 55 °C) T5: -40 °F to 158 °F (-40 °C to 70 °C) T4: -40 °F to 212 °F (-40 °C to 100 °C) Ambient T6: -40 °F to 140 °F (-40 °C to 60 °C) T5: -40 °F to 167 °F (-40 °C to 75 °C) T4: -40 °F to 221 °F (-40 °C to 105 °C) Storage -40 °F to 221 °F (-40 °C to 105 °C)
Power requirement*	10 Vdc to 30 Vdc (4 mA to 20 mA, 2-wire) 6 Vdc to 30 Vdc (1 Vdc to 5 Vdc, 3-wire, 0.5 Vdc to 4.5 Vdc, 3-wire) 14 Vdc to 30 Vdc (0 Vdc to 10 Vdc, 3-wire)
Load limitations	≤ (VPower-10)/0.020 Amp for 4 mA to 20 mA ≥ 10,000 Ω for 1 Vdc to 5 Vdc, 3-wire
Proof pressure	3 times full scale for ranges 0 psi to 15 psi through 0 psi to 200 psi 1.75 times full scale for ranges 0 psi to 300 psi through 0 psi to 10,000 psi 1.5 times full scale for 0 psi to 15,000 psi
Burst pressure	3.8 times full scale for ranges 0 psi to 15 psi through 0 psi to 200 psi 4 times full scale for ranges 0 psi to 300 psi through 0 psi to 10,000 psi 3 times full scale for 0 psi to 15,000 psi
Measuring element	621 Series is 316 stainless steel for ranges up through 0 psi to 300 psi, 316 stainless steel with Elgiloy ranges 0 psig to 500 psig and higher; 622 Series is 316 stainless steel with NBR o-ring; (FKM o-ring optional)
Connection	316 stainless steel
Housing material	316 stainless steel
Environmental rating	IP67
Electromagnetic rating	CE compliant to EMC norm EN 61326:1997/A1:1998 RFI, EMI and ESD protection
Electrical protection	Reverse polarity, over-voltage and short circuit protected
Shock	1,000 g's according to IEC 60068-2-27
Vibration	20 g's according to IEC 60068-2-6
Weight	Approximately 12 oz.

\* Unregulated

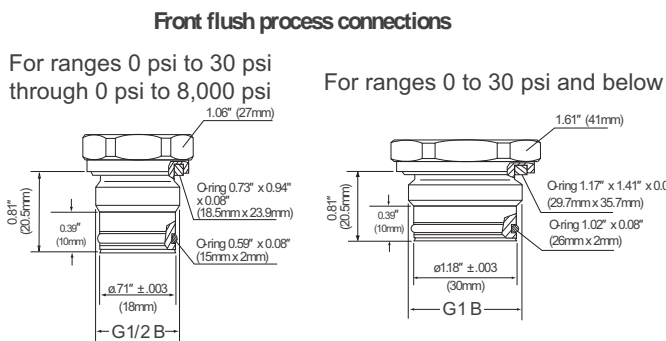
ORDERING INFORMATION						
SERIES	621	Stainless steel threaded connection	622	316 Stainless steel flush diaphragm	622H	Hastelloy C flush diaphragm
PRESSURE RANGES	30vac	-30 inHg to 0 psig	15	0 psig to 15 psig	500	0 psig to 500 psig
	30/30	-30 inHg to 30 psig	30	0 psig to 30 psig	1000	0 psig to 1,000 psig
	30/60	-30 inHg to 60 psig	60	0 psig to 60 psig	1500	0 psig to 1,500 psig
	30/100	-30 inHg to 100 psig	100	0 psig to 100 psig	2000	0 psig to 2,000 psig
	30/200	-30 inHg to 200 psig	200	0 psig to 200 psig	3000	0 psig to 3,000 psig
		psig = gauge pressure    psia = absolute pressure	300	0 psig to 300 psig	5000	0 psig to 5,000 psig
			Other ranges available on request		Note: 622 Series is available for pressure ranges up to 0 psig to 8,000 psig	15000 0 psig to 15,000 psig 15A 0 psia to 15 psia 100A 0 psia to 100 psia
ACCURACY	1	±0.25% full scale (BFSL)				
OUTPUT SIGNALS	1	4 mA to 20 mA, 2-wire		3	1 Vdc to 5 Vdc, 3-wire, low power	
	2	0 Vdc to 5 Vdc, 3-wire		5	0 Vdc to 10 Vdc, 3-wire	
PROCESS CONNECTIONS	2	1/4" NPT male		11	G1/2B male flush (622 Series only) (pressure ranges 0 psi to 30 psi through 0 psi to 8,000 psi)	
	8	1/2" NPT male		13	G1B male flush (622 Series only) (pressure ranges 0 psi to 30 psi and below)	
ELECTRICAL CONNECTIONS	6	1/2" NPT male conduit with 6' integral cable			37	1/2" NPT male conduit with 6' flying leads with epoxy seal
OPTIONS	ST8	Threaded Orifice (621 Series only)		20	20' Cable/lead (attached to electrical connection 6 or 37)	
			30	30' Cable/lead (attached to electrical connection 6 or 37)		

Please consult your local NOSHOK Distributor or NOSHOK, Inc. for availability and delivery information.

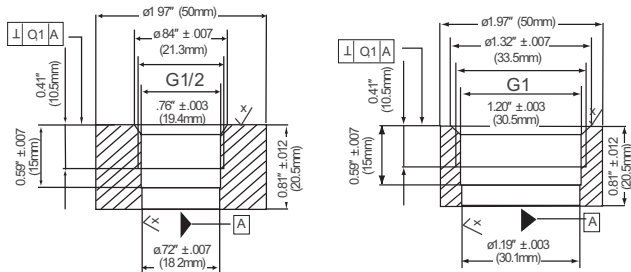
### EXAMPLE

Series ..... 621 Series  
 Pressure range ..... 0 psig to 500 psig  
 Accuracy ..... ±0.25% full scale (BFSL)  
 Output signal ..... 4 mA to 20 mA, 2-wire  
 Process connection ..... 1/2" NPT Male  
 Electrical connection ..... 1/2" NPT Male conduit with 6' integral cable  
 Option ..... Threaded Orifice

621 - 500 - 1 - 1 - 8 - 6 - ST8



### Flush corresponding port weld-on adapters



2-WIRE WIRING		3-WIRE WIRING	
+ Supply	Red	+ Supply	Red
+ Output	Black	Common	Black
Ground	Gray	+ Output	Brown
		Ground	Gray