

OEM pressure sensor Ceramic thick-film technology Model SCT-1

WIKA data sheet PE 81.40

Applications

- Applications with limited mounting space
- Design-in solutions
- Automotive industry
- Pneumatics

Special features

- Unamplified mV/V signal
- Temperature compensation directly on the sensor
- Condensation-resistant sensor surface
- Production to ISO 9001 and ISO/TS 16949
- Excellent media compatibility



OEM pressure sensor model SCT-1

Description

Resistance to humidity and condensation

Due to the special, full-surface passivation of the sensor's surface, the sensor is impervious to humidity or condensation.

Flexible connection possibilities

A high variety of electrical connections enables an easy sensor integration.

State-of-the-art production standards

The production is carried out on state-of-the-art manufacturing lines with high capacity, high levels of automation and high process reliability. The sensors are manufactured in lot sizes of 500 pieces.

Monolithic ceramic

With the monolithic body of the ceramic thick-film sensor a high long-term stability is achieved.

Specifications

Measuring ranges

Relative pressure [bar]			
Measuring range	0 ... 2	0 ... 5	0 ... 10
Overpressure limit	5	10	20
Burst pressure	6	12	25
Measuring range	0 ... 20	0 ... 50	0 ... 100
Overpressure limit	40	100	200
Burst pressure	50	120	250

Other measuring ranges on request.

Output signals

Measuring range [bar]	Output signal [mV/V] (unamplified)
0 ... 2	1 ... 4
0 ... 5, 0 ... 10	1.5 ... 4
0 ... 20, 0 ... 50	2 ... 4
0 ... 100	1.7 ... 2.7

Electrical connection

- Bondable pads, grid dimension 2.54 or 1.27
- Solderable pads, grid dimension 2.54 or 1.27
- Flex with solder pins

Others on request

Power supply

DC 1 ... 20 V

Settling time (10 ... 90 %)

< 1 ms

Limit frequency (mechanical)

15 kHz

Condensation resistance

In accordance to test as per IEC 68-2-30, test Db, variant 2
test level: 25 ... 55 °C

6 cycles

Permissible temperature ranges

Medium: -40 ... +125 °C

Ambient: -40 ... +125 °C

Storage: -40 ... +125 °C

Service life

> 10 million load cycles

Zero offset

-0.2 ... 0 mV/V

Bridge resistance

7.5 ... 15 kΩ

Temperature error

Temperature compensation directly on the sensor

Compensated temperature range: -25 ... +105 °C

Mean temperature coefficient

- Zero point: < 0.2 % of span/10 K
< 0.3 % of span/10 K (at 0 ... 2 bar)
- Span: < 0.2 % of span/10 K

Accuracy at reference conditions

Including non-linearity, hysteresis, non-repeatability
(corresponds to measured error per IEC 61298-2).

- **Measuring range 0 ... 2 bar**
Typical: < 0.40 % of span
Maximum: < 0.75 % of span
- **Measuring ranges 0 ... 5 to 0 ... 50 bar**
Typical: < 0.25 % of span
Maximum: < 0.50 % of span
- **Measuring range 0 ... 100 bar**
Typical: < 0.40 % of span
Maximum: < 0.75 % of span

Material, wetted parts

Ceramic (96% Al₂O₃)

Reference conditions (per IEC 61298-1)

Temperature

15 ... 25 °C

Atmospheric pressure

860 ... 1,060 mbar

Humidity

45 ... 75 % relative

Power supply

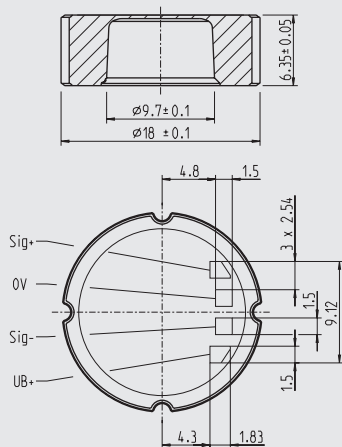
DC 10 V

Mounting position

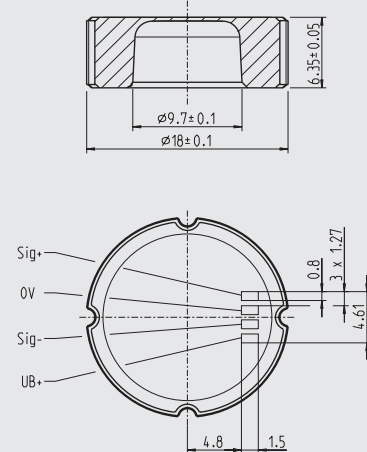
any

Dimensions in mm

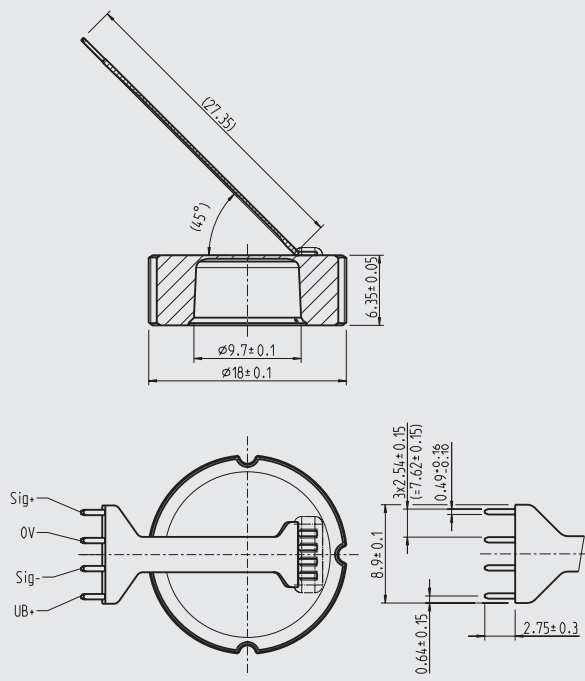
Bondable pads, grid dimension 2.54
Solderable pads, grid dimension 2.54



Bondable pads, grid dimension 1.27
Solderable pads, grid dimension 1.27



Flex with solder pins



Customer-specific solutions on request

Detailed mounting instructions on request.

Ordering information

Measuring range / Output signal / Electrical connection

© 02/2006 WIKA Alexander Wiegand SE & Co. KG, all rights reserved.
The specifications given in this document represent the state of engineering at the time of publishing.
We reserve the right to make modifications to the specifications and materials.

WIKA data sheet PE 81.40 · 08/2016

Page 3 of 3

