

1. USE:

- 1.1 Maximum results and long life of the valves can be maintained under normal working conditions and according with pressure/temperature rating and corrosion data chart.

2. MANUAL OPERATION:

- 2.1 To change flow pattern of the valve, turn the handle 1/4" (90 degree)
- 2.2 Both T port and L port are available

3. GENERAL INFORMATION FOR ON-SITE INSTALLATION:

- 3.1 The valve may be fitted in any position on the pipeline
- 3.2 Before installation of the valves, the pipe line must be flushed clean of dirt, burrs and welding residues, or the seats and ball surface will be damaged.
- 3.3 The pipe must be free from tension.
- 3.4 After installation, cycle valve several times before putting into service.

4. DISASSEMBLING AND CLEANING THE VALVE:

Caution: Ball valve can trap fluids in the ball cavity when closed.

- 4.1 Before disassembly, be sure to discharge any hazardous media that might be entrapped in any valve cavity. It is recommended that the following steps are taken for safe removal and reassembly.
 - A. Relief the line pressure.
 - B. All persons involved in the removal and disassembly of the valve should wear the proper protective clothing, such as face shield, gloves, etc.

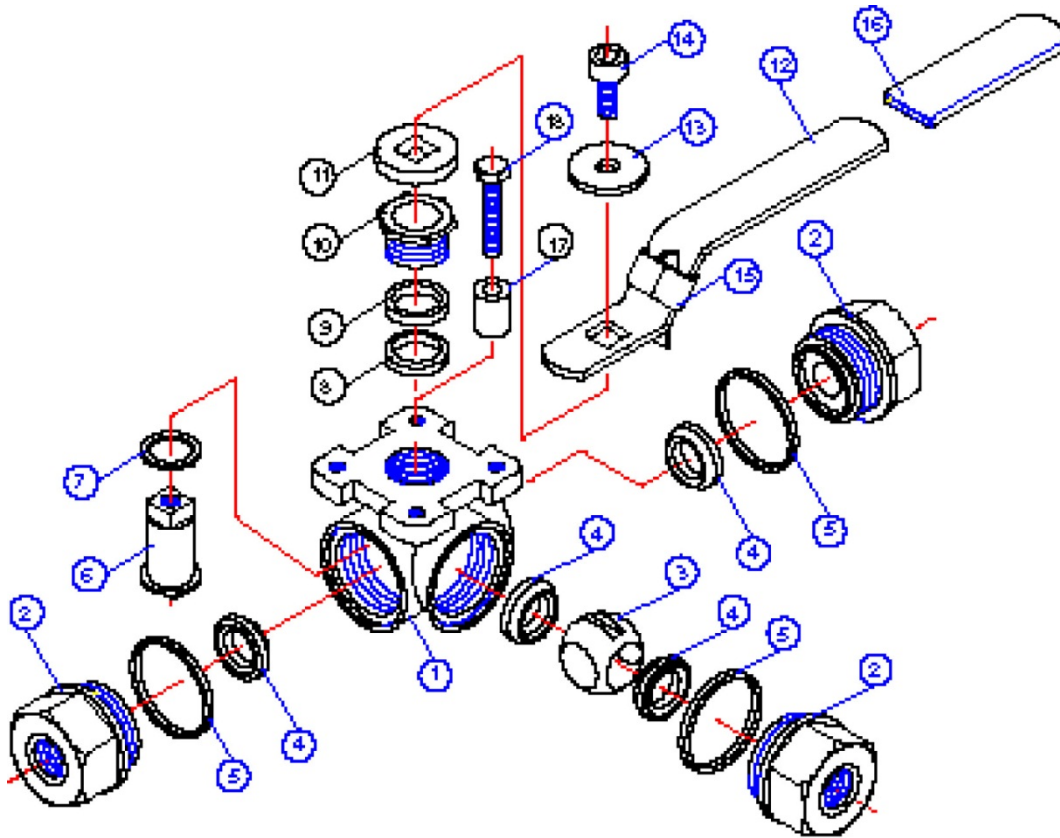
5. REPLACING THE THRUST WASHER, PACKING, AND SEATS

- 5.1 Before replacing the thrust washer and packing, the pipeline must be de-pressurized.
- 5.2 Stem leakage may be corrected without replacing the stem packing. Tighten the stem gland nut until leakage stops, if leakage continues or valve's operating torque becomes excessive, the stem seal is worn and must be replaced.
- 5.3 Remove valve from pipeline.
- 5.4 Remove end caps, body seal, seats, and ball.
- 5.5 Remove stem nut, gland, stop, etc. and push stem into valve cavity. Remove stem seats and thrust washer.

6. ASSEMBLY

- 6.1 Put new thrust washer onto stem and insert through body cavity into stem hole. Assemble new stem seals, gland, stop and stem nut. Tighten stem gland so that stem will feel snug and firm. **DO NOT OVERTIGHTEN.**
- 6.2 Assemble the back seat into body and install ball. Insert body gasket on seal surface. Assemble second, third, and fourth seats into cavity of end caps and insert same into body.
- 6.3 Apply wrench on the hexagonal ends of the valve only. Tightening using the valve body or handle can seriously damage the valve.

PARTS IDENTIFICATION AND MATERIALS OF CONSTRUCTION



No.	Part Name	Material		Qty.
1	Body	CF8M	WCB	1
2	End Cap	CF8M	WCB	3
3	Ball	SUS316	SUS316	1
4	Seat	RPTFE	RPTFE	4
5	Joint Gasket	RPTFE	RPTFE	3
6	Stem	SUS316	SUS316	1
7	Stem Seal	RPTFE	RPTFE	1
8	Stem Packing	RPTFE	RPTFE	1
9	Stem Packing	RPTFE	RPTFE	1
10	Gland Nut	SUS304	SUS304	1
11	Stem Spacer	SUS304	SUS304	1
12	Handle	SUS304	SUS304	1
13	Stem Disc	SUS304	SUS304	1
14	Stem Nut	SUS304	SUS304	1
15	Locking Device	SUS304	SUS304	1
16	Handle Sleeve	Vinyl	Vinyl	1
17	Cylindrical Spacer	SUS304	SUS304	1
18	Stop Bolt	SUS304	SUS304	1



38 SERIES
Three-Way Multi-Port Ball Valve
Installation & Maintenance Manual

A-T Controls product, when properly selected, is designed to perform its intended function safely during its useful life. However, the purchaser or user of A-T Controls products should be aware that A-T Controls products might be used in numerous applications under a wide variety of industrial service conditions. Although A-T Controls can provide general guidelines, it cannot provide specific data and warnings for all possible applications. The purchaser / user must therefore assume the ultimate responsibility for the proper sizing and selection, installation, operation, and maintenance of A-T Controls products. The user should read and understand the installation operation maintenance (IOM) instructions included with the product, and train its employees and contractors in the safe use of A-T Controls products in connection with the specific application.

While the information and specifications contained in this literature are believed to be accurate, they are supplied for informative purposes only. Because A-T Controls is continually improving and upgrading its product design, the specifications, dimensions and information contained in this literature are subject to change without notice. Should any question arise concerning these specifications, the purchaser/user should contact A-T Controls.

For product specifications go to <http://download.a-tcontrols.com/>

A-T Controls, Inc. • 9955 International Boulevard, Cincinnati, OH 45246 • Phone: (513) 530-5175 • Fax: (513) 247-5462 • www.a-tcontrols.com