



11 SERIES

- Ranges from vacuum through 0 psig to 400 psig
- Current and voltage outputs available
- 316 stainless steel wetted parts
- Can be cleaned-in-place (CIP) or steamed-in-place (SIP)
- Meets 3A requirements for the food and beverage, dairy, pharmaceutical and biotechnology industries
- ASME BPE compliant
- CE compliant to suppress RFI, EMI and ESD

SPECIFICATIONS

Output signals	4 mA to 20 mA 2-wire, 0 Vdc to 5 Vdc 3-wire, 1 Vdc to 5 Vdc 3-wire, 1 Vdc to 6 Vdc 3-wire, 0 Vdc to 10 Vdc, 3-wire, 1 Vdc to 11 Vdc 3-wire
Pressure ranges	Vacuum through 0 psig to 400 psig
Accuracy	±0.25% full scale (BFSL); Optional ±0.125% full scale (BFSL); (Includes the effects of non-linearity, hysteresis, non-repeatability, zero point and full scale errors)
Stability	±0.2% full scale for 1 year, non-accumulating
Adjustment	±10% full scale for zero and span
Response time	< 10 ms
Pressure cycle limit	150 Hz
Durability	> 100,000,000 full scale cycles
Temperature ranges	Compensated 32 °F to 175 °F (0 °C to 80 °C) Effect ±0.01%/°F for zero and span Media -40 °F to 300 °F (-40 °C to 150 °C) Ambient -40 °F to 176 °F (-40 °C to 80 °C) Storage -40 °F to 212 °F (-40 °C to 100 °C)
Power requirement*	10 Vdc to 30 Vdc (4 mA to 20 mA, 2-wire, 0 Vdc to 5 Vdc, 3-wire, 1 Vdc to 5 Vdc, 3-wire, 1 Vdc to 6 Vdc, 3-wire) 14 Vdc to 30 Vdc (0 Vdc to 10 Vdc, 3-wire, Vdc to 11 Vdc, 3-wire)
Load limitations	≤ (VPower -10)/0.020 Amp for 4 mA to 20 mA output ≤ 5,000 Ω for 1 Vdc to 5 Vdc output ≤ 10,000 Ω for 0 Vdc to 10 Vdc output ≤ 4,500 Ω for 0.5 Vdc to 4.5 Vdc output
Proof pressure	3 times full scale for 0 psig to 2 psig through 0 psig to 200 psig 1.75 times full scale for 0 psig to 300 psig through 0 psig to 400 psig
Burst pressure	3.8 times full scale for 0 psig to 2 psig through 0 psig to 200 psig 4 times full scale for 0 psig to 300 psig through 0 psig to 400 psig
Measuring element	316 stainless steel
Connection	316 stainless steel
Housing material	316 stainless steel
Environmental rating	IP65
Electromagnetic rating	CE compliant to EMC norm EN 61326:1997/A1:1998 RFI, EMI and ESD protection
Electrical protection	Reverse polarity, overvoltage and short circuit protection
Shock	1,000 g's according to IEC 60068-2-27
Vibration	15 g's according to IEC 60068-2-6
Weight	Approximately 1.1 lb.

* Unregulated

Diaphragm seal must be installed facing downward or in a vertical position for drainability.
Do not install diaphragm seal facing in an upward position.

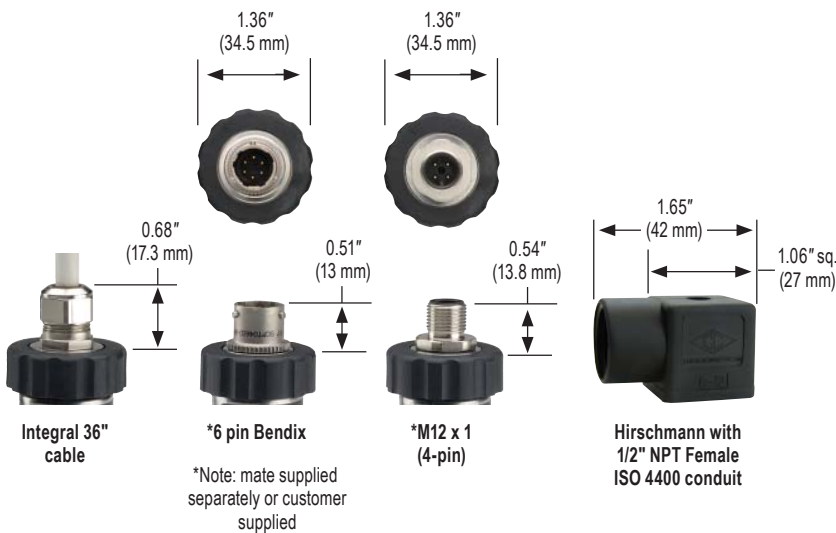
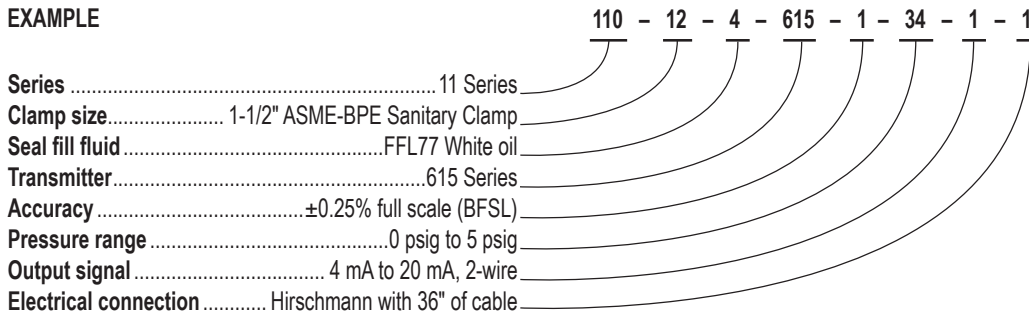
APPLICATIONS

- Food & beverage processing
- Pasteurization systems
- Pharmaceutical
- Medical

ORDERING INFORMATION				
SERIES	110			
CLAMP SIZES	12 1-1/2"	16 2"		
SEAL FILL FLUID	4 FFL77 White oil Other food grade quality fill fluids available — please consult factory			
TRANSDUCER	615 615 Series transducer			
ACCURACIES	1 ±0.25% full scale (BFSL)	2 ±0.125% full scale		
PRESSURE RANGES	01 -30 inHg to 0 psig	16 -30 inHg to 150 psig	37 0 psig to 10 psig	52 0 psig to 150 psig
	04 -30 inHg to 15 psig	19 -30 inHg to 200 psig	40 0 psig to 15 psig	58 0 psig to 200 psig
	07 -30 inHg to 30 psig	22 -30 inHg to 300 psig	43 0 psig to 30 psig	61 0 psig to 300 psig
	10 -30 inHg to 60 psig	31 0 psig to 100 inH ₂ O	46 0 psig to 60 psig	64 0 psig to 400 psig
	13 -30 inHg to 100 psig	34 0 psig to 5 psig	49 0 psig to 100 psig	
OUTPUT SIGNALS	1 4 mA to 20 mA, 2-wire	3 1 Vdc to 5 Vdc, 3-wire	5 0 Vdc to 10 Vdc, 3-wire	
	2 0 Vdc to 5 Vdc, 3-wire	4 1 Vdc to 6 Vdc, 3-wire	6 1 Vdc to 11 Vdc, 3-wire	
ELECTRICAL CONNECTIONS	1 36" Cable attached to Hirschmann	14 Hirschmann connection with ISO 4400 1/2" NPT conduit		
	3 6-pin Bendix	25 M12 X 1 (4-pin)		
	8 Hirschmann (DIN EN 175301-803 form A)	36 Integral 36" cable		

Please consult your local NOSHOK Distributor or NOSHOK, Inc. for availability and delivery information.

EXAMPLE



3-WIRE WIRING

2-WIRE WIRING				
	Hirschmann	Cable	M12	Bendix
+ Supply	1	Red	1	A
+ Output	2	Black	3	B

	Hirschmann	Cable	M12	Bendix
+ Supply	1	Red	1	A
Common	2	Black	3	B
+ Output	3	White	4	C