

MODEL 1086 LOW COST THERMOCOUPLE HEAD

- CHOICE OF ALUMINUM OR SS316 CONSTRUCTION
- PROVISION FOR CUSTOM STAINLESS STEEL NAME PLATE
- STAINLESS STEEL BALL CHAIN
- WIDE SELECTION OF CONDUIT SIZES
- WIDE RANGE OF ACCESSORIES
- LOW COST



Specifications

Material of Construction:

Copper-Free Aluminum or SS316 as specified

Certification:

None

Connections

1/2" NPT, 3/4" NPT, 1/2" BSP, M20x1.5P

Mounting Holes

See attached drawing

Surface Finishing

Silver Paint for Aluminum and Electro-Polish for SS316 unit

"O" Ring

Nitrile

Weight

0.25KG (0.55 LBS) for Aluminum Unit and 0.4Kg (0.88 LBS) for SS316 unit

Accessories

SS Ball Chain, Terminal Block (Ceramic / Bakelite, Optional)

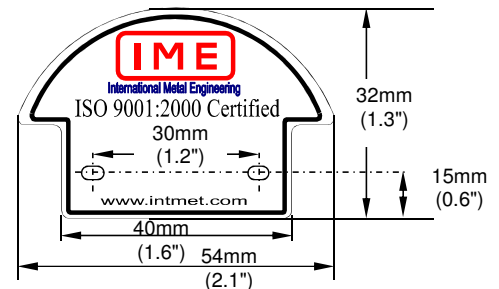
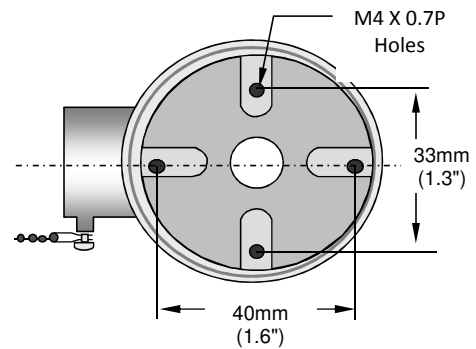
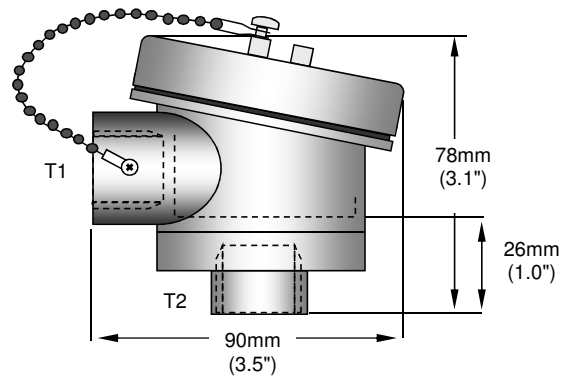
Custom Designed Nameplate

Order Information

Model	Description	
1086SR	Low Cost Stainless Steel Thermocouple Head with Provision for SS Nameplate	
1086SJ	Low Cost Stainless Steel Thermocouple Head	
1086AR	Low Cost Aluminum Thermocouple Head with Provision for SS Nameplate	
	Code	Thread Size
	01	T1=3/4" NPT T2=1/2"NPT
	02	T1=1/2" NPT T2=1/2"NPT
	05	T1=M20X1.5 T2=1/2"BSP
	08	T1=M20X1.5 T2=1/2"NPT
	33	T1=3/4" NPT T2=3/4" NPT
	XX	T1=Specify T2=Specify

1086SR	01	Typical Model Number
--------	----	----------------------

Dimensions



TYPICAL SS NAMEPLATE SUPPLIED BBY IME BASED ON ARTWORK PROVIDED BY CUSTOMER