



CustomControlSensors

Hazardous Areas Adjustable Pressure Switch

6860GE* & 6862GE* - Diaphragm Sensor

DESCRIPTION



- Rigid and internally adjustable for convenient field set point adjustment.
- Repeatable and stable set points.
- High cycle life.
- High over-pressure capability.
- Equipped with certified explosion proof electrical enclosure.
- Allows for dual set points.

SHIPPING WEIGHT: APPROXIMATELY 7 LBS.
(3.2 KGS)

SERIES:

- 6860GE* - Single Setting
- 6862GE* - Dual Setting

SET POINT RANGE:

GAGE PRESSURE:

- 1.5" H2O to 100 PSIG
- 3.74 mbar to 6.89 bar
- 0.374 to 689 kPa

OPERATING TEMPERATURE:

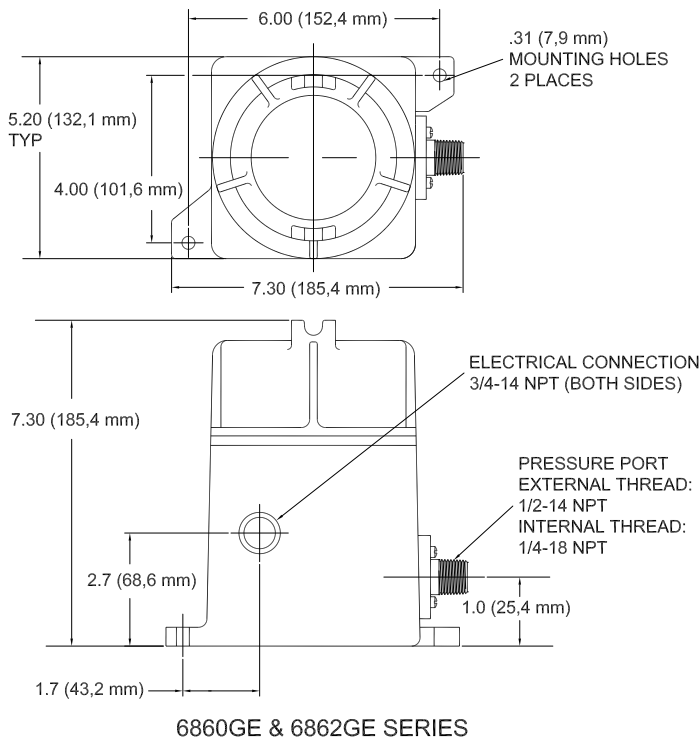
Temperature limits change with o-ring selection.

- 40° to 186°F
- 40° to 86°C

STANDARD FEATURES:

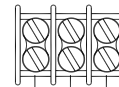
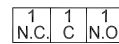
- CE Mark
- NEMA: 4, 7, 9, 13 / IP66 & 67
- Certified Explosion Proof Enclosure
 - CSA
 - FM
 - UL
- Weatherproof

INSTALLATION DRAWING



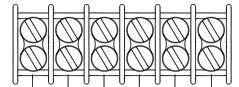
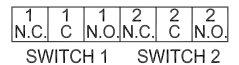
SCHEMATIC AND WIRING CODE

SINGLE SWITCH



INCREASING
PRESSURE

DUAL SWITCHES



INCREASING
PRESSURE 1
PRESSURE 2

FIELD SETTING: Unscrew cover and adjust screw clockwise to decrease. Counterclockwise to increase.



CustomControlSensors

Hazardous Areas Adjustable Pressure Switch

6860GE* & 6862GE* - Diaphragm Sensor

OPERATING AND ORDERING DATA

SERIES 6860GE* SINGLE SETTING	WETTED PARTS: EXTERNAL THREAD 1/4"-18 NPT, INTERNAL THREAD 1/2"-18 NPT ALUMINUM PRESSURE PORT, POLYIMIDE DIAPHRAGM, BUNA N O-RING				
	ADJUSTABLE SET POINT RANGE		APPROXIMATE DEAD BAND	SYSTEM PRESSURE PSIG (BAR)	PROOF PRESSURE PSIG (BAR)
	INCREASING PRESSURE	DECREASING PRESSURE			
6860GE*0	5"-80" H ₂ O (12.4-199.3 mbar)	1.5"-76.5" H ₂ O (3.74-191 mbar)	2.5" H ₂ O (6.23 mbar)	35 (2.41)	50 (3.45)
6860GE*1	1-27 PSIG (0.069-1.86 bar)	.95-26.75 PSIG (0.065-1.84 bar)	.1-.2 PSIG (6.89-13.79 mbar)	75 (5.17)	100 (6.89)
6860GE*3	3-100 PSIG (0.21-6.89 bar)	2.8-98.5 PSIG (0.19-6.79 bar)	.2-1.0 PSIG (13.78-68.9 mbar)	200 (13.79)	250 (17.24)
SERIES 6862GE* DUAL SETTING	WETTED PARTS: EXTERNAL THREAD 1/4"-18 NPT, INTERNAL THREAD 1/2"-18 NPT ALUMINUM PRESSURE PORT, POLYIMIDE DIAPHRAGM, BUNA N O-RING				
	ADJUSTABLE SET POINT RANGE		AVERAGE DEAD BAND	SYSTEM PRESSURE PSIG (BAR)	PROOF PRESSURE PSIG (BAR)
	INCREASING PRESSURE	DECREASING PRESSURE			
6862GE*1	1-27 PSIG (0.069-1.86 bar)	.95-26.75 PSIG (0.065-1.84 bar)	.1-.2 PSIG (6.89-13.79 mbar)	75 (5.17)	100 (6.89)
6862GE*3	3-100 PSIG (0.21-6.89 bar)	2.8-98.5 PSIG (0.19-6.79 bar)	.2-1.0 PSIG (13.78-68.9 mbar)	200 (13.79)	250 (17.24)

HOW TO ORDER

Follow these steps to build your part number:

1. Specify the series based on your required set point, range, dead band, system pressure and proof pressure.
2. Add desired options model code letter.
3. Add the applicable standard suffix number.

(Ex: 6860GE0-7008)

PRESSURE CONVERSION

1 BAR = 14.5 PSI
1 kPa = 0.145 PSI

OPTIONAL STANDARD MODIFIED SUFFIXES

7008: Gold Contacts

ELECTRICAL CHARACTERISTICS

RATING OF SWITCH ELEMENT

VOLTS	AMPERES	
	SPDT	Res.
125 AC - 50/60 Hz	15	
250 AC - 50/60 Hz	15	
480 AC - 50/60 Hz	15	
28 DC	-	
125 DC	.4	
250 DC	.2	
*125 AC - 50/60 Hz	1 max	
*30 DC	1 max	

*Gold Contacts -7008 Suffix

ELECTRICAL ENCLOSURE CERTIFICATIONS

* CSA #C22.2 No. 30-M1986 - Explosion Proof Enclosure for use in Class I Hazardous Locations. File #LR11716

* FM #3600 & 3615 File #2Y4A5.AE

* UL #UL886 - Outlet Boxes and Fittings for use in Hazardous (Classified) Locations. File #E10514. #UL1203 - Explosion Proof and Dust Ignition Proof Electrical Equipment. File #E83969

CERTIFICATIONS

Consult CCS website for complete certification and approval listing.

Note: Additional modified standard suffixes are available, consult CCS sales department or CCS Representative.