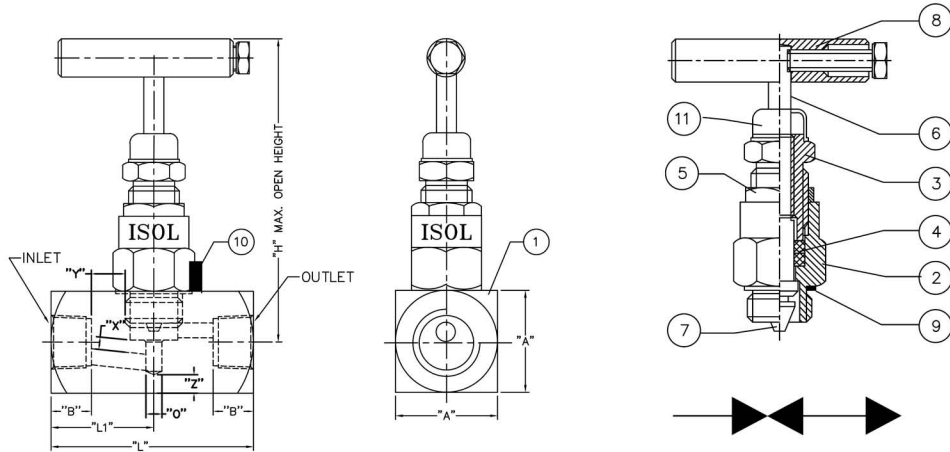


Instrument Needle Valve

Female Inlet x Female Outlet

Mac-Weld Instrument Needle Valves provide reliable regulating and isolation capability for high pressure applications.

- 316L Stainless Steel Body, stem and trim
- 6000 psig @ 100° F (414 bar @ 38° C)
- PTFE Packing
- Non-rotating trim provides bubble tight shut-off
- Optional availability: NACE certified wetted parts and graphoil packing



PART NO.	PART DESCRIPTION	MATERIAL	QTY
1	BODY	SS 316L	1
2	GLAND BODY	SS 316L	1
3	GLAND RETAINER	SS 304	1
4	GLAND SEAL	P.T.F.E	2
5	CHECK NUT	SS 304	1
6	SPINDLE	SS 316L	1
7	TRIM	SS 316L	1
8	HANDLE	SS 304	1
9	WASHER	S.S.	1
10	LOCK PIN	SS 304	1
11	DUST CAP	P.V.C.	1

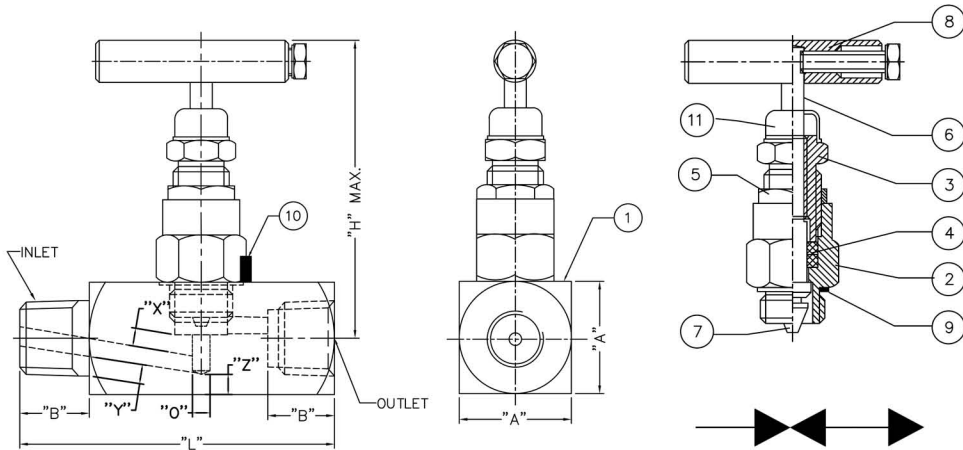
PART INFORMATION											
FNPT X FNPT			DIMENSIONS: INCHES (MILIMETRES)								
PART NUMBER	END CONNECTION		"A"	"B"	"L"	"L1"	"O"	"X"	"Y"	"Z"	"H" MAX
	INLET SIZE (NPT)	OUTLET SIZE (NPT)									
NV-L-02F-02F	1/8"	1/8"	1.10 (28.00)	0.39 (10.00)	2.20 (56.00)	1.10 (28.00)	0.16 (4.00)	0.15 (3.80)	0.35 (9.00)	0.20 (5.00)	3.43 (87.00)
NV-L-04F-04F	1/4"	1/4"		0.55 (14.00)				0.16 (4.10)	0.20 (5.00)		
NV-L-06F-06F	3/8"	3/8"		0.75 (19.00)				0.18 (4.50)	0.24 (6.00)		
NV-L-08F-08F	1/2"	1/2"	1.26 (32.00)	0.75 (19.00)	2.68 (68.00)	1.34 (34.00)	0.20 (5.00)	0.18 (4.50)	0.24 (6.00)	0.24 (6.00)	3.50 (89.00)
NV-L-12F-12F	3/4"	3/4"	1.50 (38.00)	0.95 (24.00)	3.50 (89.00)	1.75 (44.50)	0.32 (8.00)	0.19 (4.90)	0.31 (7.80)	0.28 (7.00)	3.66 (93.00)
NV-L-16F-16F	1"	1"	1.77 (45.00)					0.39 (10.00)			0.27 (6.90)

Instrument Needle Valve

Male Inlet x Female Outlet

Mac-Weld Instrument Needle Valves provide reliable throttling and block capability for high pressure gas or liquid service.

- 316L Stainless Steel Body, stem and trim
- 6000 psig @ 100° F (414 bar @ 38° C)
- PTFE Packing
- Non-rotating trim provides bubble tight shut-off
- Optional availability: NACE certified wetted parts and graphoil packing



PART NO.	PART DESCRIPTION	MATERIAL	QTY
1	BODY	SS 316L	1
2	GLAND BODY	SS 316L	1
3	GLAND RETAINER	SS 304	1
4	GLAND SEAL	P.T.F.E	2
5	CHECK NUT	SS 304	1
6	SPINDLE	SS 316L	1
7	TRIM	SS 316L	1
8	HANDLE	SS 304	1
9	WASHER	S.S.	1
10	LOCK PIN	SS 304	1
11	DUST CAP	P.V.C.	1

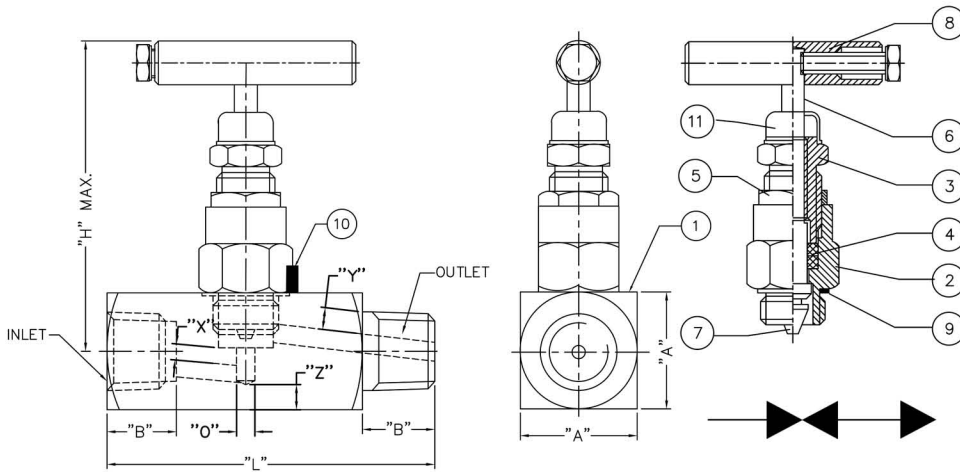
PART INFORMATION										
MNPT X FNPT			DIMENSIONS: INCHES (MILIMETRES)							
PART NUMBER	END CONNECTION		"A"	"B"	"L"	"O"	"X"	"Y"	"Z"	"H" MAX
	INLET SIZE (NPT)	OUTLET SIZE (NPT)								
NV-L-02M-02F	1/8"	1/8"	1.10 (28.00)	0.39 (10.00)	2.68 (68.00)	0.16 (4.00)	0.14 (3.50)	0.10 (2.50)	0.24 (6.00)	3.43 (87.00)
NV-L-04M-04F	1/4"	1/4"		0.55 (14.00)	3.07 (78.00)		0.14 (3.50)	0.20 (5.00)		
NV-L-06M-06F	3/8"	3/8"		0.16 (4.00)	0.16 (4.00)					
NV-L-08M-08F	1/2"	1/2"	1.26 (32.00)	0.75 (19.00)	3.46 (88.00)	0.20 (5.00)	0.20 (5.00)	0.22 (5.50)	0.24 (6.00)	3.50 (89.00)
NV-L-12M-12F	3/4"	3/4"	1.50 (38.00)	0.95 (24.00)	4.13 (105.00)	0.32 (8.00)	0.22 (5.50)	0.28 (7.20)	0.20 (5.00)	3.66 (93.00)
NV-L-16M-16F	1"	1"	1.77 (45.00)			0.39 (10.00)	0.26 (6.50)		0.24 (6.00)	4.53 (115.00)

Instrument Needle Valve

Female Inlet x Male Outlet

Mac-Weld Instrument Needle Valves provide reliable throttling and block capability for high pressure gas or liquid service.

- 316L Stainless Steel Body, stem and trim
- 6000 psig @ 100° F (414 bar @ 38° C)
- PTFE Packing
- Non-rotating trim provides bubble tight shut-off
- Optional availability: NACE certified wetted parts and graphoil packing



PART NO.	PART DESCRIPTION	MATERIAL	QTY
1	BODY	SS 316L	1
2	GLAND BODY	SS 316L	1
3	GLAND RETAINER	SS 304	1
4	GLAND SEAL	P.T.F.E	2
5	CHECK NUT	SS 304	1
6	SPINDLE	SS 316L	1
7	TRIM	SS 316L	1
8	HANDLE	SS 304	1
9	WASHER	S.S.	1
10	LOCK PIN	SS 304	1
11	DUST CAP	P.V.C.	1

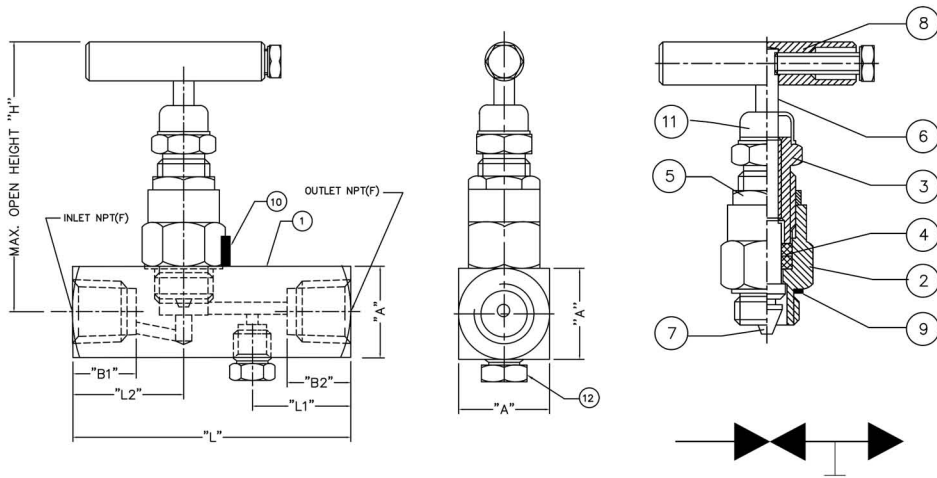
PART INFORMATION										
FNPT X MNPT			DIMENSIONS: INCHES (MILIMETRES)							
PART NUMBER	END CONNECTION		"A"	"B"	"L"	"O"	"X"	"Y"	"Z"	"H" MAX
	INLET SIZE (NPT)	OUTLET SIZE (NPT)								
NV-L-02F-02M	1/8"	1/8"	1.10 (28.00)	0.39 (10.00)	2.68 (68.00)	0.16 (4.00)	0.13 (3.40)	0.12 (3.00)	0.22 (5.50)	3.43 (87.00)
NV-L-04F-04M	1/4"	1/4"		0.55 (14.00)	3.07 (78.00)		0.17 (4.40)	0.16 (4.00)	0.19 (4.70)	
NV-L-06F-06M	3/8"	3/8"		0.16 (4.00)	0.20 (5.00)		0.20 (5.00)			
NV-L-08F-08M	1/2"	1/2"	1.26 (32.00)	0.75 (19.00)	3.46 (88.00)	0.20 (5.00)	0.18 (4.50)	0.26 (6.50)	0.24 (6.00)	3.50 (89.00)
NV-L-12F-12M	3/4"	3/4"	1.50 (38.00)	0.95 (24.00)	4.13 (105.00)	0.32 (8.00)	0.20 (5.00)	0.31 (7.90)	0.28 (7.00)	3.66 (93.00)
NV-L-16F-16M	1"	1"	1.77 (45.00)			0.39 (10.00)	0.22 (5.60)		0.28 (7.00)	4.53 (115.00)

Instrument Needle Valve

Female Inlet x Male Outlet

Mac-Weld Instrument Needle Valves provide reliable throttling and block capability for high pressure gas or liquid service.

- 316L Stainless Steel Body, stem and trim
- 6000 psig @ 100° F (414 bar @ 38° C)
- PTFE Packing
- Non-rotating trim provides bubble tight shut-off
- Optional availability: NACE certified wetted parts and graphoil packing



PART NO.	PART DESCRIPTION	MATERIAL	QTY
1	BODY	SS 316L	1
2	GLAND BODY	SS 316L	1
3	GLAND RETAINER	SS 304	1
4	GLAND SEAL	P.T.F.E	2
5	CHECK NUT	SS 304	1
6	SPINDLE	SS 316L	1
7	TRIM	SS 316L	1
8	HANDLE	SS 304	1
9	WASHER	S.S.	1
10	LOCK PIN	SS 304	1
11	DUST CAP	P.V.C.	1
12	PLUG 1/4" NPT (M)	SS 316L	1

PART INFORMATION										
FNPT X FNPT X FNPT				DIMENSIONS: INCHES (MILIMETRES)						
PART NUMBER	END CONNECTION		DRAIN/VENT c/w PLUG (NPT)	"A"	"B1"	"B2"	"L"	"L1"	"L2"	"H" MAX
	INLET SIZE (NPT)	OUTLET SIZE (NPT)								
NV-L-08F-08F-P	1/2"	1/2"	1/4"	1.26 (32.00)	0.75 (19.00)	0.75 (19.00)	3.07 (78.00)	1.18 (30.00)	1.26 (32.00)	3.50 (89.00)