

Low Pressure Differential Pressure Gauges with Electrical Output Signal Type A2G-15

WIKAI Datasheet A2G-15

air2guide

Applications

- For dry, clean, non-aggressive gases, air
- Monitoring of blowers and ventilators
- Filter monitoring via differential pressure
- Positive overpressure in clean rooms
- Positive and negative pressure in isolation chambers

Product Features

- Zero adjustment in front
- Simple mounting and dismounting
- Two-part construction (measuring element and case)
- With additional electrical output signal 0...10 V



Differential Pressure Gauge air2guide Model A2G-15

Specifications

Design

Per EN 837-3 and HVAC regulations

Nominal size

4½"

Accuracy

± 3.0 % of full span
± 5.0 % of full span, ranges ≤ 0.5 InWC (125 Pa)

Ranges

0 / 0.2 InWC (50 Pa) up to 0 / 50 InWC (12,500 Pa)

Compound ranges

Starting from -0.1 / +0.1 InWC (-25/+25 Pa)
(other pressure units and dual scales are available)

Pressure limitation

Steady: full-scale value
Fluctuating: full-scale value

Overpressure Safety

80 InWC (20 kPa)

Max working pressure (static pressure)

80 InWC (20 kPa)

Temperature limits

Ambient: -22 °F... 176 °F (-30 °C... +80 °C)
Media: 3 °F...122 °F (-16 °C... +50 °C)

Temperature error

Additional error when temperature changes from reference temperature of 68 °F (20 °C) ± 0.5% of span for every 18 °F (10 °K) rising or falling

Ingress protection

NEMA 3 (IP 54 per EN 60529)

Standard version

Process connection

Plastic, lower mount (LM) or back mount G 1/8 female for hose connector

Standard accessories

- 3 case mounting screws
- Compression fitted M12, electrical connection
- Straight or angled hose barb adaptors 1/8" - 3/16"

Diaphragm

Silicone rubber

Movement

Frictionless magnetic transmissions

Dial

Aluminium, scale over 90 degrees.

Pointer and mark pointer

Plastic

Set pointer on dial

Red ABS plastic (standard)

Housing

Black thermoplastic, high impact resistant

Window

Polycarbonate

Electronics

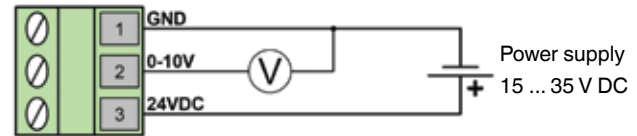
Output signal

0 ... 10 V, 3-wire

Power supply U_B

0 ... 10 V, 3-wire: 15 ... 35 V DC

Terminal configuration



Permissible max. load

0 ... 10 V, 3-wire: $R_A > 10 \text{ k}\Omega$

Isolation voltage

500 VDC

Electrical ingress protection

Overvoltage protection: max. 35 V DC

Short-circuit resistance: Sig + to U_B -

Reverse voltage protection: U_B + to U_B -

CE Conformity

Pressure Equipment Directive: 97/23/EG

EMC-Directive: EN 61000-6-4 and EN 61000-6-2

Relative humidity

45 ... 90 % rF, non-condensing

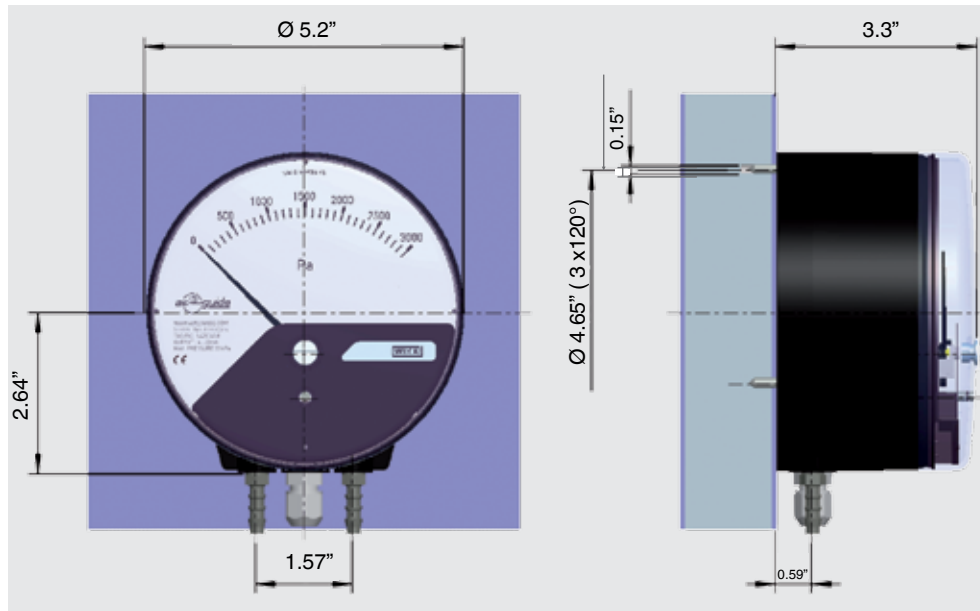
Optional features

- Additional output signal
- Ingress protection NEMA 4 / IP 65
- Internationally recognized traceable calibration certificate
- Measuring hose PVC or silicone tube 1/8" or 1/4" ID, 80' long
- 2 duct connectors
- Without mounting case

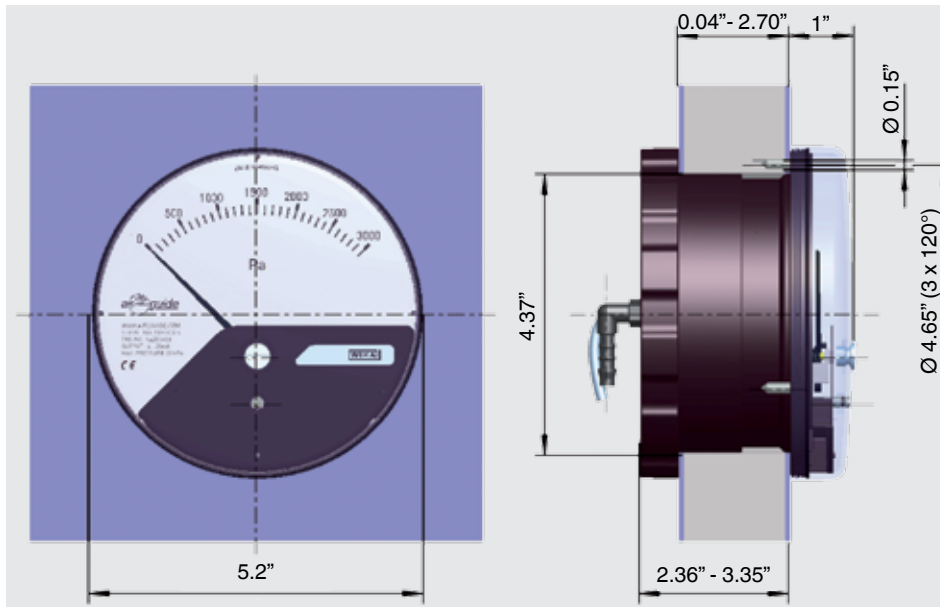
Dimensions in inches

Standard version

Wall mount, lower connection



Panel mount, back connection



1) Mounting for wall thickness from 0.04 to 2.76"

Ordering information

Model / Connection location / Wall mount or panel mount / Scale range / Options

Modifications may take place and materials specified may be replaced by others without prior notice.
Specifications and dimensions given in this leaflet represent the state of engineering at the time of printing.



WIKA Instrument, LP
1000 Wiegand Boulevard
Lawrenceville, GA 30043-5868
Tel: 888-WIKA-USA • 770-513-8200
Fax: 770-338-5118
E-Mail: info@wika.com
www.wika.com