

RP - Resistive Chain Level Measurement



The RP level sensor is designed for use in the chemical, oil, shipping, food processing, waste treatment, and many other industries. Each RP is manufactured to the users specifications making it fit to work precisely according to the application requirements.

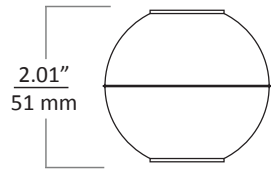
Features

- Continuous level indication
- Wide choice of materials
- Durable float matched to liquid specific gravity
- Resistive chain or loop powered 4-20 mA output
- Hazardous location approvals - Intrinsically safe

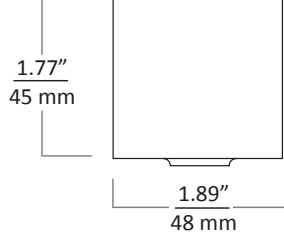


RP Specifications

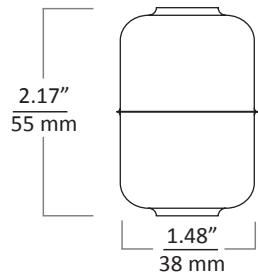
Float E



Float G

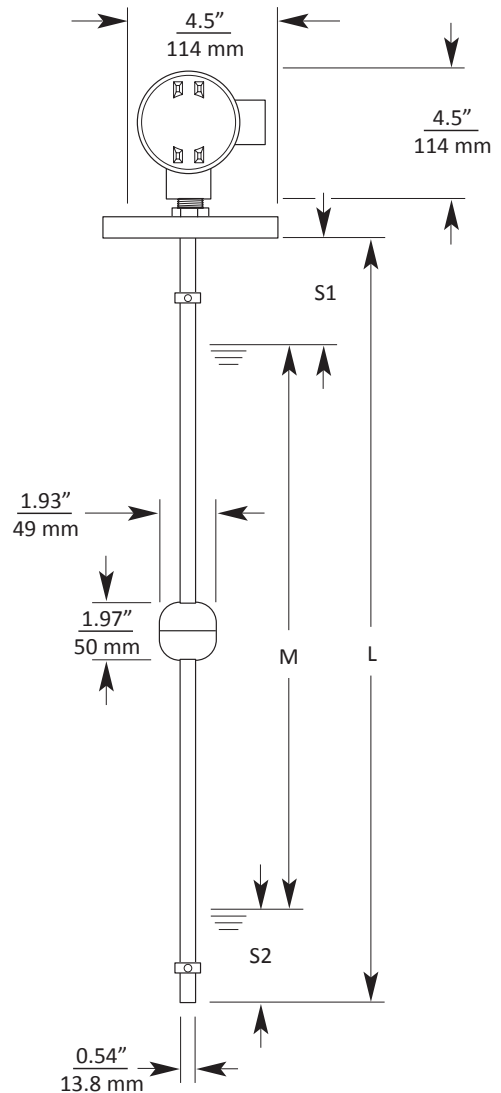


Float F



Legend

- L = Total Stem Length
 - M = Measured Length
 - S1 = Top Deadband (1.75" / 44.5mm)
 - S2 = Bottom Deadband (1.75" / 44.5mm)
- $$L = M + S1 + S2$$



Performance

- Resolution:
RPX/RPE: 6 mm (0.25 in.)
- Accuracy:
RPX/RPE: 3 mm (0.12 in.)

Connectivity

- Output: 4-20 mA, Resistive

Environmental

- Operating Temperature:
RPX/RPE: 14° to 185°F (-10° to 85°C)
- Maximum Pressure:
RPX/RPE: 72.5 PSI (5 bar)
- NEMA 4 & 7, IP65

Certification

- RPX:
 - CSA Hazardous
 - Class 1, Div. 1; Groups C & D (Max 40°C)
 - Class 1, Div. 2; Groups C & D (Max 85°C)
 - CSA Intrinsically Safe
 - Class 1, Zone 1; Ex d IIB T3
 - Exia Class 1 Div. 1; Groups C & D T3C (Max 85°C)
- RPE: General Purpose

Electrical

- Supply Voltage:
RPX/RPE: 12-24 VDC

Physical

- Housing:
RPX/RPE: Aluminum Die Cast
- Stem Length:
RPX/RPE: 1829 mm (72 in.)
- Cable Entry:
RPX/RPE: 3/4 in. NPT / 1/2 in. NPT

Model Configuration Options

Model Number: RP - - - - - - -
 A B C D E F G

A. Model

- X-A** Hazardous, 4-20 mA output
- X-R** Hazardous, resistive output
- X-I** Intrinsic safety, 4-20 mA output
- E-A** General purpose, 4-20 mA output
- E-R** General purpose, resistive output

B. Mounting Type

- 0** Flat face flange
- 1** Raised face flange
- 2** Slide flange
- 3** Sanitary ferrule
- 4** Plug mounted from outside of tank

C. Mounting Option and Size

- A** ANSI flange 150# (Size=2, 2.5, 3, 4)
- J** JIS flange 10 kg/cm2 (Size=2)
- D** DIN flange 10 kg/cm2 (Size=50)
- SF** 3A sanitary ferrule (Size=2.5, 3, 4)
- T** NPT plug (Size=2, 2.5, 3)
- G** PF plug (Size=2, 2.5, 3)
- R** RT plug (Size=2, 2.5, 3)
- X** Other

D. Material

- S** 304 SS
- S6** 316L SS

E. Stem Finish (RPX/RPE)

- 1** Brushed 320 grit
- 2** Sanitary

F. Float Type

- E** 316L SS 53 mm Round (0.57 SG)
- F** 316L SS 55h x 38w mm Sanitary (0.65 SG)
- G** Buna 45h x 48w mm (0.39 SG)

G. Stem Length in Inches

- RPX/RPE** Min. 12 in. - Max 72 in.

RP Accessories

Please order separately by part number.

Part Number	Description
135414	Float stop
135396	Bottom bracket
125603	Right angle bracket pipe clamp
125701	RST-5001 Internet Module

