

5560S

STATIC LINE TENSIOMETER

Load cell specially designed to measure the tension force applied to a cable or a rope.

Model 5560S - 30 t



Features

- Easy and fast mounting
- Designed for static rope tension measurement
- Protection : IP67
- Wide range of cable's diameters : from 3 up to 90 mm (0,11 to 3,5") (to be defined)
- Stainless steel
- Cable length: 6m
- Available options (non exhaustive list) :
 - o ATEX intrinsic safety Ex II 1GD Ex ia IIC T6 or T4 Ga Ex ia IIIC T80 C Da
 - o amplified output (V or mA) and digital output signal (RS-232C, RS-485, USB)
 - o subsea version (IP 68)

Applications

The SENSY's load cell 5560S are perfectly designed to the following applications :

- Hookload sensor for drilling, mud-logging, ...
- Tension measurement of cable, rope, shrouds and riggings of electric pylons, transmission antenna's, towers, flare masts, barge mooring lines, ...
- Tension measurement for suspended bridges and foot-bridges, big tops, ...

Capacities

5560S : 1 to 80 t
on cable

Specifications	2 - 5%	
Reference temperature	23	C
Nominal temperature range	-10...+45	C
Service temperature range	-30...+70	C
Storage temperature range	-50...+85	C
Temperature coefficient of the sensitivity	< ± 0.1	% F.S./10 C
Temperature coefficient of zero signal	< ± 0.1	% F.S./10 C
Input resistance	352 ± 2	Ohm
Output resistance	352 ± 2	Ohm
Insulation resistance (50V)	> 5000	Megaohm
Reference excitation voltage	10	VDC
Nominal range of excitation voltage	3..12	VDC
Nominal sensitivity	± 1 **	mV/V
Safe load limit	200	% F.S.
Breaking load	> 300	% F.S.
Permissible dynamic loading	70	% F.S.

* : Can be different (according to the wire rope)

F.S.: full scale - Specifications subject to change without notice

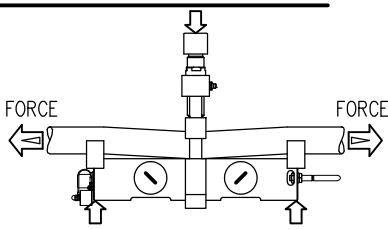
Combined error depends on rope material and on site calibration

LOAD CELL

model 5560S
model 5565S

stainless steel
alloy steel

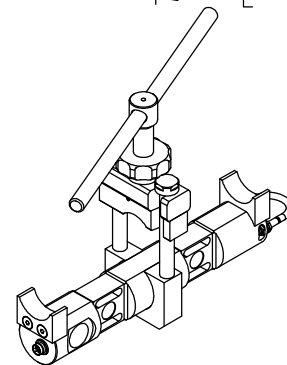
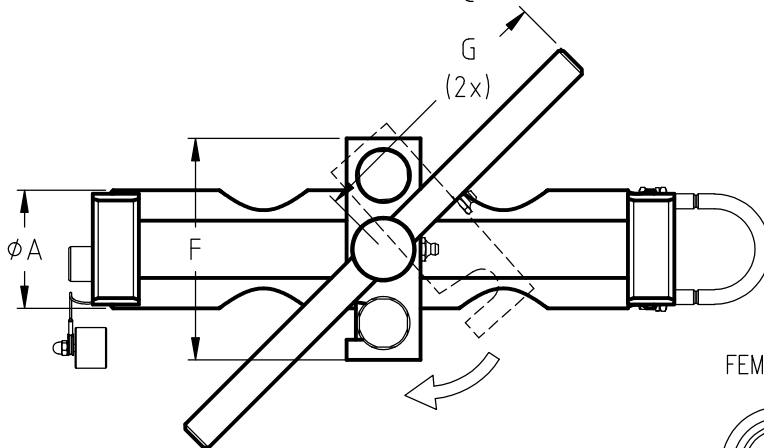
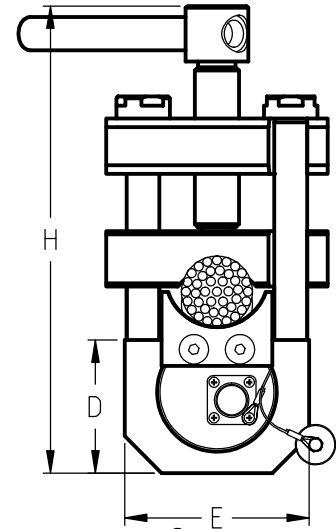
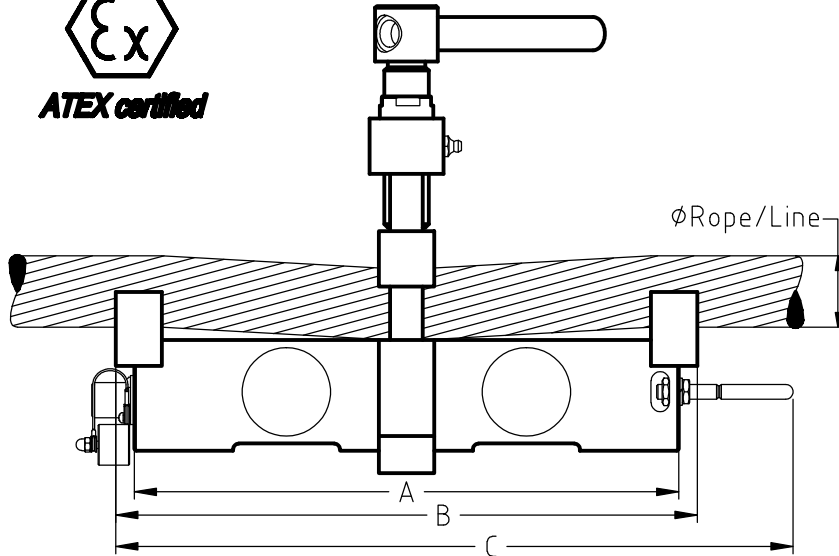
TENSIOMETER ON ROPE



Range : 1-80t For cables 3 to 90 mm IP67 (IP68 Option)



ATEX certified

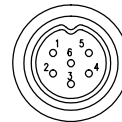


FEMALE-MALE CONNECTOR DIN 45322

CONTACT N°

- 1 Excitation - Yellow
- 2 Signal + Green
- 3 Signal - White
- 4 Excitation + Brown
- 5 Sense - Grey
- 6 Sense + Pink

Standard cable



Cable screen not connected to transducer
Option f : Cable screen connected to transducer
(6 wires cable in option)

CAPACITIES	$\phi\text{Rope/Line}$	ϕA	A	B	C	D	E	F	G	H (Min)	H (Max)	Weight (kg)
5 t	Min 18 -Max 26	64	295	315	367	72	100	120	217	224	264	± 10.4
6 t	Min 8 - Max 12	64	295	315	367	72	100	120	217	214	246	± 10.25
6 t	Min 12 -Max 20	64	295	315	367	72	100	120	217	224	264	± 10.4
10 t	Min 8 - Max 20											± 10.4
15 t	Min 22 -Max 50.8											± 11
15 t	Min 32 -Max 52	64	360	370	427	72	100	120	217	263	310	± 12.5
30 t	Min 22 -Max 50.8	64	295	315	367	72	100	120	217	224	284	± 11
45 t												
75 t	Min 38 -Max 58	74	405	415	472	89	150	147	324.5	296	365	± 26

* Other sizes and capacities on request