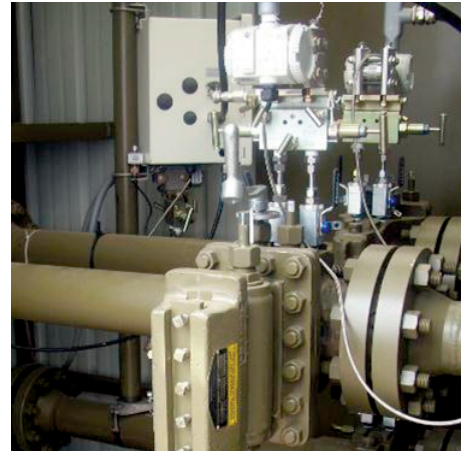


Wide-Pattern™ Manifolds

Eliminates Finger Pinching



Safe Manifold Operations

The family of Wide-Pattern Five-Valve Manifolds was developed as an added safety feature, uniquely positioning the valves at an increased distance compared to standard designs. The added space between the valves reduces the accidental opening of nearby valves due to close proximity. Not only does the valve positioning improve functionality, but it also helps avoid “finger pinching” for the field technicians.

The Wide-Pattern Manifolds also feature our patented Pressure-Core® Stem Seal technology that requires no bonnet adjustment and eliminates leaks that would result in measurement drift and fugitive emissions. Parker takes great pride in extending a five-year limited warranty on our Pressure-Core Stem Seal, far exceeding the industry standard.



Contact Information:

Parker Hannifin Corporation
PGI Division
16101 Vallen Drive
Houston, TX 77041 USA

phone 713 466 0056
fax 800 568 9228
pgi_sales@parker.com

www.parker.com/pgi
www.pgoint.com

Product Features:

- Unique configuration for “no finger pinching” operation of all five valves
- Easy access to both high and low side test / pressure ports
- Down or back oriented vent port for safety



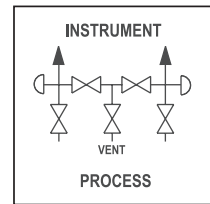
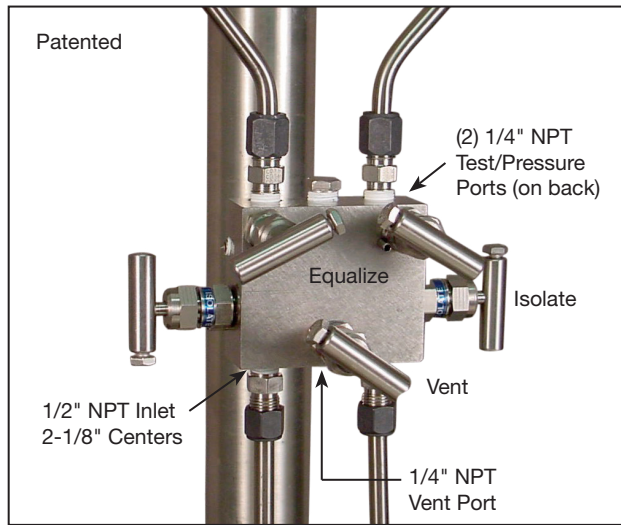
ENGINEERING YOUR SUCCESS.

Wide-Pattern™ Manifolds

M-575 Chart Recorder Manifold

1/2" FNPT x 1/2" FNPT x 1/4" NPT

- Integrated block valves for fewer leak points than “bar” type construction
- Down oriented vent port for safety
- Compact one-piece design for fast, easy installation
- Easy access to both high and low side test / pressure ports
- 1/2" NPT inlet connection with 2-1/8" centers



Ordering Information

M-575	Body	Seat	Seal	—	Options			
	X	D	X		X	X	X	X

Body Material Code

Code	Description
C	1018 CS Body
P	A105 CS Body
S	316 SS Body

Seal Material Code

Code	Description
T	PTFE Pressure-Core®
P	PTFE Packed
V	FKM O-Ring

Options Code

Code	Description
H3EV	CS 1.5" handles on Equalizer and Vent Valves (2" standard)
H4EV	SS 1.5" handles on Equalizer and Vent Valves (2" standard)

Seat Code

Code	Description
D	Acetal Resin Soft Seats

Wide-Pattern™ Manifolds

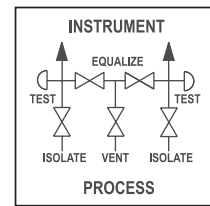
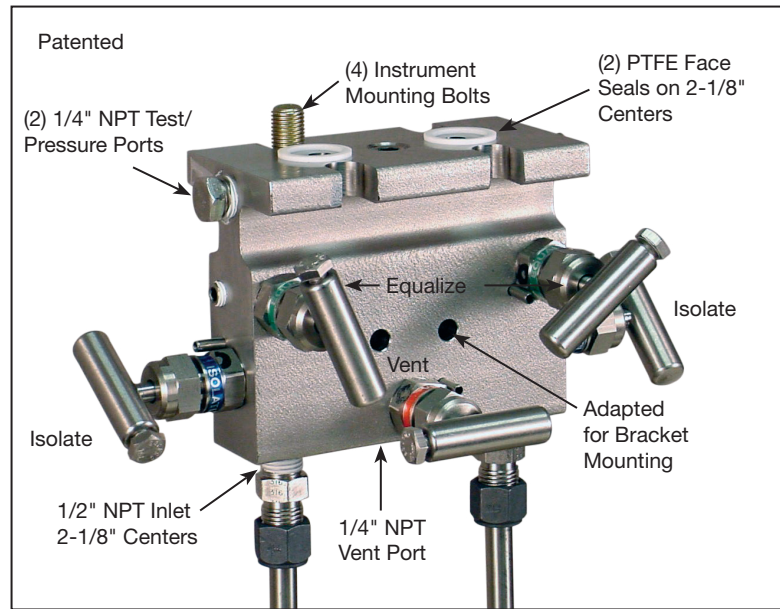
M-675 5-Valve Manifold

1/2" FNPT x Flange x 1/4" FNPT

M-775 5-Valve Manifold

Flange x Flange x 1/4" NPT

- Down oriented vent port for safety
- Easy access to both high and low side test / pressure ports
- 1/2" NPT inlet connection with 2-1/8" centers



Ordering Information

M-675 M-775	Body	Seat	Seal		Options			
	X	D	X	—	X	X	X	X

Body Material Code

Code	Description
C	1018 CS Body
P	A105 CS Body
S	316 SS Body

Seal Material Code

Code	Description
T	PTFE Pressure-Core®
P	PTFE Packed
V	FKM O-Ring

Options Code

Code	Description
W9	316 SS Flange Bolts
H3EV	CS 1.5" handles on Equalizer and Vent Valves (2" standard)
H4EV	SS 1.5" handles on Equalizer and Vent Valves (2" standard)

(Carbon Steel flange bolts standard)

Seat Code

Code	Description
D	Acetal Resin Soft Seats

Wide-Pattern™ Manifolds

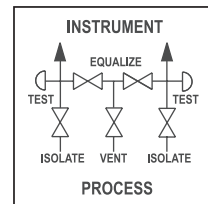
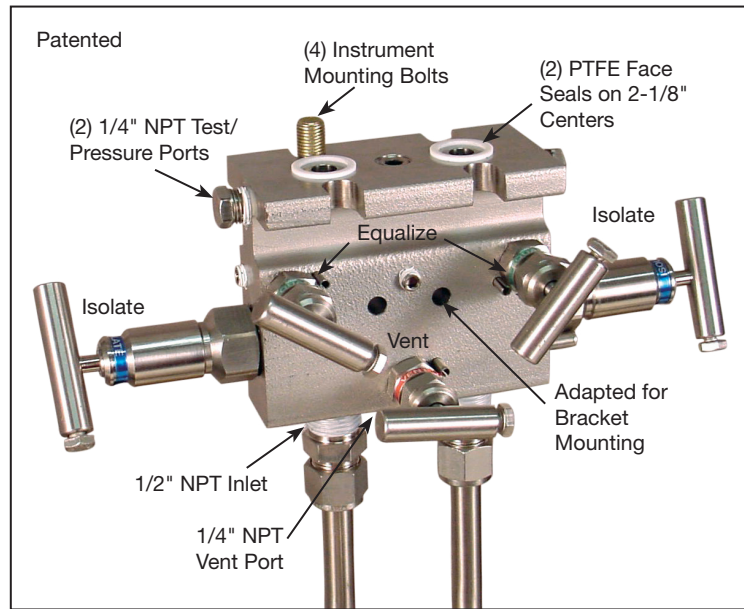
M3-575 5-Valve Large Bore Manifold

1/2" FNPT x 1/2" FNPT x 1/4" NPT

M3-675 5-Valve Large Bore Manifold

1/2" FNPT x Flange x 1/4" FNPT

- .375" diameter through bore to minimize gauge line error
- Down oriented vent port for safety
- Easy access to both high and low side test / pressure ports
- 1/2" NPT inlet connection



Ordering Information

M3-575 M3-675	Body	Seat	Seal		Options			
	X	X	X	—	X	X	X	X

Body Material Code	
Code	Description
C	1018 CS Body
S	316 SS Body

Seal Material Code	
Code	Description
T	PTFE Pressure-Core®
P	PTFE Packed
V	FKM O-Ring

Seat Code	
Code	Description
D	Acetal Resin Soft Seats
L	Rylon™ Block Valves, Acetal Resin Equalizer & Vent Soft Seats
K	Kel-F® Soft Seats

Options Code	
Code	Description
W9	316 SS Flange Bolts
H3EV	CS 1.5" handles on Equalizer and Vent Valves (2" standard)
H4EV	SS 1.5" handles on Equalizer and Vent Valves (2" standard)

(Carbon Steel flange bolts standard)

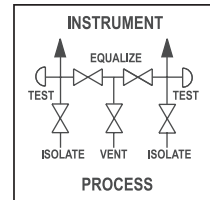
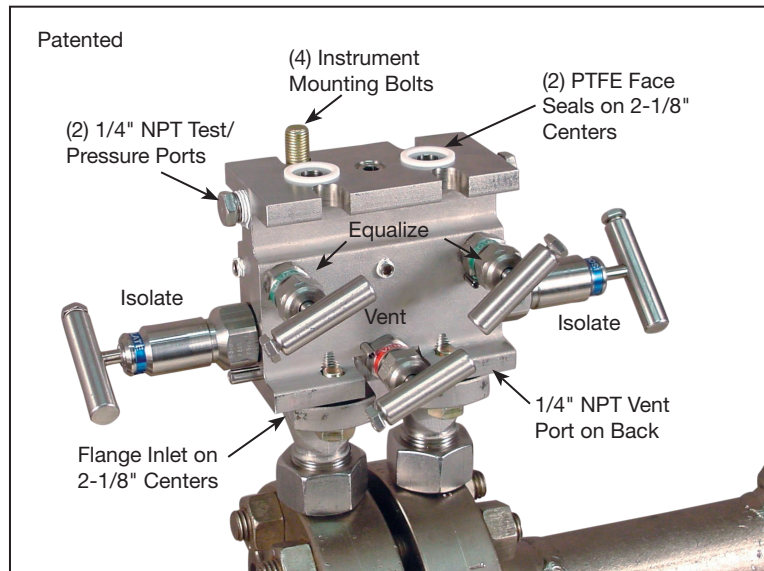
Wide-Pattern™ Manifolds

M3-775

Valve Manifold

Flange x Flange x 1/4" NPT

- .375" diameter through bore to minimize gauge line error
- Back oriented vent port for safety
- Easy access to both high and low side test / pressure ports
- Flange inlet on 2-1/8" centers



Ordering Information

M3-775	Body	Seat	Seal	—	Options			
	X	X	X		X	X	X	X

Body Material Code	
Code	Description
C	1018 CS Body
S	316 SS Body

Seal Material Code	
Code	Description
T	PTFE Pressure-Core®
P	PTFE Packed
V	FKM O-Ring

Seat Code	
Code	Description
D	Acetal Resin Soft Seats
L	Rylon™ Block Valves, Acetal Resin Equalizer & Vent Soft Seats
K	Kel-F® Soft Seats

Options Code	
Code	Description
	Carbon Steel Flange Bolts standard
W9	316 SS Flange Bolts
H3EV	CS 1.5" handles on Equalizer and Vent Valves (2" standard)
H4EV	SS 1.5" handles on Equalizer and Vent Valves (2" standard)

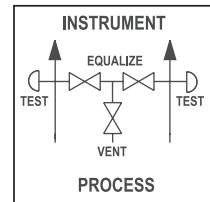
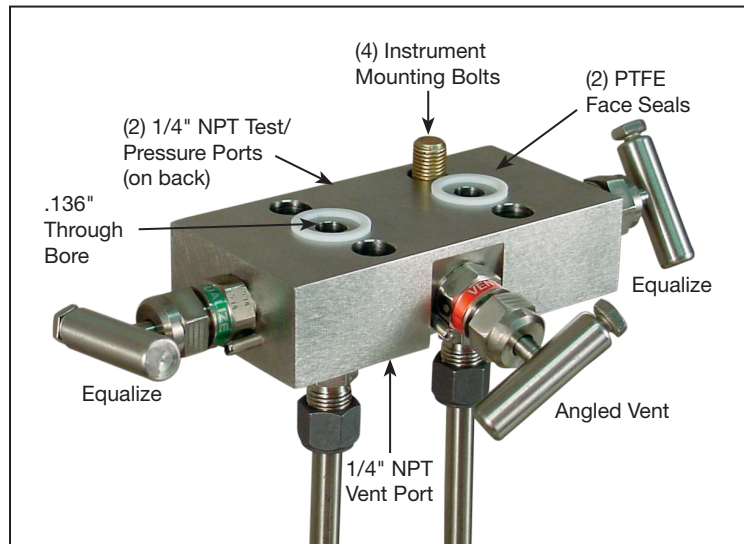
(Carbon Steel flange bolts standard)

Wide-Pattern™ Manifolds

M-581 3-Valve Instrument Mounted Equalizer Manifold

1/4" FNPT x Flange x 1/4" NPT

- .136" diameter through bore to minimize gauge line error
- Angled vent valve for ease of operation
- Down oriented vent port for safety
- Easy access to both high and low side test / pressure ports
- 1/4" NPT inlet connection



Ordering Information

M581	Body	Seat	Seal	-	Options	
	X	X	X		X	X

Body Material Code

Code	Description
C	1018 CS Body
P	A105 CS Body
S	316 SS Body

Seal Material Code

Code	Description
T	PTFE Pressure-Core®
V	FKM O-Ring

Options Code

Code	Description
W9	316 SS Flange Bolts

(Carbon Steel flange bolts standard)

Seat Code

Code	Description
D	Acetal Resin Soft Seats
Z	Tefzel Soft Seats

Pressure & Process Temperature Ratings

To determine the pressure and temperature rating of your product, choose your body, seat, and then seal. Then use the lowest maximum pressure and temperature rating of the three selected criteria.

To determine the low temperature rating, use the highest minimum rating.

Standard Body Material Codes		
Code	Description	Pressure & Process Temperatures
S	ASTM A479-316 Stainless Steel	See pressure & temperature of stem seal and seat material Min. Temp: -100°F (-73°C)
C	ASTM A108 Carbon Steel	See pressure & temperature of stem seal and seat material
P	ASTM A105/A696 Carbon Steel	Min. Temp: -20°F (-29°C)

Standard Soft Seat Material Codes			
Code	Description	Orifice Sizes	Pressure & Process Temperatures
L	Rylon™ cone	.375"	1,500 PSI max. @ 200°F max. to -40°F min. 103 bar max. @ 93°C max. to -40°C min.
D & K	Acetal resin & Kel-F® cone	.187" .250" .375"	6,000 PSI max. @ 200°F max. to -40°F min. 414 bar max. @ 93°C max. to -40°C min.
	Acetal resin & Kel-F® washer	.136"	3,000 PSI max. @ 200°F max. to -40°F min. 207 bar max. @ 93°C max. to -40°C min.
P	PEEK® cone	.187" .250"	10,000 PSI max. @ 200°F to -40°F min. 3,000 PSI max. @ 400°F max. 689 bar max. @ 93° to -40°C min. 207 bar max. @ 204°C max.
	PEEK® cone	.375"	6,000 PSI max. @ 200°F to -40°F min. 3,000 PSI max. @ 400°F max. 414 bar max. @ 93°C to -40°C min. 207 bar max. @ 204°C max.
	PEEK® washer	.136"	6,000 PSI max. @ 200°F to -40°F min. 3,000 PSI max. @ 400°F max. 414 bar max. @ 93°C to -40°C min. 207 bar max. @ 204°C max.
T	PTFE washer	.136"	1,000 PSI max. @ 200°F max. to -80°F min. 500 PSI max. @ 450°F max. 69 bar max. @ 93°C to -62°C min. 34 bar max. @ 232°C max.
	PTFE cone	.187" .250" .375"	1,000 PSI max. @ 200°F to -80°F min. 500 PSI max. @ 450°F max. 69 bar max. @ 93°C to -62°C min. 34 bar max. @ 232°C max.

Standard Stem Seal Material Codes			
Code	Description	Orifice Sizes	Pressure & Process Temperatures
T	Mini PTFE Packed	.136"	6,000 PSI max. @ 200°F to 80°F min. 4,000 PSI max. @ 400°F max. 414 bar max. @ 93°C to -62°C min. 276 bar max. @ 204°C max.
		.187" .250"	10,000 PSI max. @ 200°F to -40°F min. 8,000 PSI max. @ 450°F max. 689 bar max. @ 93° to -40°C min. 552 bar max. @ 232°C max.
	PTFE Pressure-Core®	.375"	6,000 PSI max. @ 200°F to -40°F min. 4,000 PSI max. @ 450°F max. 414 bar max. @ 93° to -40°C min. 276 bar max. @ 232°C max.
J	PTFE Pressure-Core® Low Temperature	.187" .250"	10,000 PSI max. @ 200°F to -50°F min. 8,000 PSI max. @ 450°F max. 689 bar max. @ 93° to -46°C min. 552 bar max. @ 232°C max.
		.375"	6,000 PSI max. @ 200°F to -50°F min. 4,000 PSI max. @ 450°F max. 414 bar max. @ 93° to -46°C min. 276 bar max. @ 232°C max.
P	PTFE Packed Style	.187" .250"	10,000 PSI max. @ 200°F to -80°F min. 4,000 PSI max. @ 500°F max. 689 bar max. @ 93° to -62°C min. 276 bar max. @ 260°C max.
		.375"	6,000 PSI max. @ 200°F to -40°F min. 4,000 PSI max. @ 500°F max. 414 bar max. @ 93° to -40°C min. 276 bar max. @ 260°C max.
V	FKM O-Ring	.136"	6,000 PSI max. @ 200°F to -15°F min. 3,000 PSI max. @ 400°F max. 414 bar max. @ 93° to -26°C min. 207 bar max. @ 204°C max.
		.187" .250"	10,000 PSI max. @ 200°F to -15°F min. 8,000 PSI max. @ 400°F max. 689 bar max. @ 93° to -26°C min. 552 bar max. @ 204°C max.
		.375"	6,000 PSI max. @ 200°F to -15°F min. 4,000 PSI max. @ 400°F max. 414 bar max. @ 93°C to -40°C min. 276 bar max. @ 204°C max.

Sales Offices Worldwide

Parker Hannifin Corporation

PGI Division
16101 Vallen Drive
Houston, TX 77041
USA
phone 713 466 0056
fax 713 744 9897
email pgi_sales@parker.com
www.parker.com/pgi
www.pgijnt.com

Parker Hannifin Corporation

PGI Division
18 Huashan Road, New District
Changzhou, Jiangsu
213022
China
phone +86 519 8980 7258
fax +86 519 8980 7212

Parker Hannifin Corporation

PGI Division
11, Fourth Chin Bee Rd
619702
Singapore
phone +65 6887 6300
fax +65 6265 5125

Parker Hannifin Corporation

PGI Division
2620 21st Street NE
Calgary, Alberta
T2E 7L3
Canada
phone 403 291 3154
fax 403 291 3292

Safety Guide – See www.parker.com/safety.

© 2014 Parker Hannifin Corporation

PGI-WPM Nov 2014



Parker Hannifin Corporation

PGI Division

16101 Vallen Drive
Houston, Texas 77041
phone 713 466 0056
fax 713 744 9897
www.parker.com/pgi

Your Local Authorized Parker Distributor