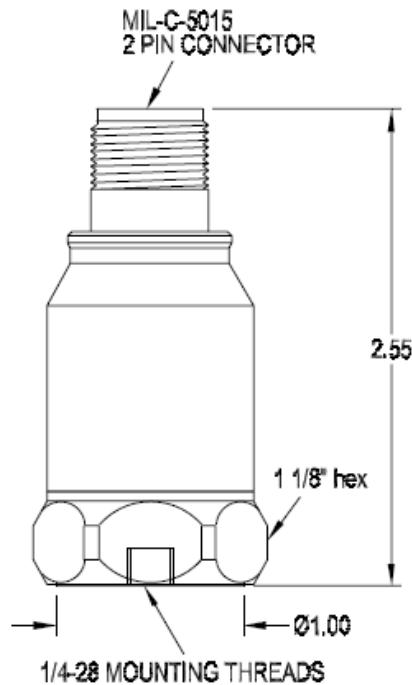


Premium, high sensitivity, filtered accelerometer 799M



Key features

- High sensitivity
- Ultra low-noise electronics for clear signals at very low vibration levels
- Optimized for 15V supply
- Low pass filtered to eliminate high frequencies
- Hermetically sealed
- ESD protection
- Reverse wiring protection



Connections	
Function	Connector pin
power/signal	A
common	B
ground	shell

Note: Due to continuous process improvement, specifications are subject to change without notice.
This document is cleared for public release.

Wilcoxon Sensing Technologies
20511 Seneca Meadows Parkway
Germantown, MD 20876
info@wilcoxon.com

Tel: (301) 330 8811
Fax: (301) 330 8873
www.wilcoxon.com

Wilcoxon Sensing Technologies
An Amphenol Company

Premium, high sensitivity, filtered accelerometer 799M

SPECIFICATIONS

Sensitivity, ±5%, 25° C	1,000 mV/g	
Acceleration range	5 g peak	
Amplitude nonlinearity	1%	
Frequency response:		
± 5%	0.6 - 1,200 Hz	
± 10%	0.4 - 1,600 Hz	
± 3 dB	0.2 - 2,500 Hz	
Resonance frequency	18 kHz	
Transverse sensitivity, max	5% of axial	
Temperature response:		
-50° C	-7%	
+80° C	+5%	
Power requirement:		
Voltage source	15 - 30 VDC	
Current regulating diode	2 - 10 mA	
Electrical noise, equiv. g:		
Spectral	0.1 Hz	15 µg/√Hz
	1 Hz	3 µg/√Hz
	10 Hz	1 µg/√Hz
	100 Hz	1 µg/√Hz
Output impedance, max	400 Ω	
Bias output voltage	8.0 VDC	
Grounding	case isolated, internally shielded	
Temperature range	-50 to +80° C	
Vibration limit	250 g peak	
Shock limit	5,000 g peak	
Electromagnetic sensitivity, equiv. g	150 µg/gauss	
Sealing	hermetic	
Base strain sensitivity	0.0005 g/µstrain	
Sensing element design	PZT, shear	
Weight	205 grams	
Case material	316L stainless steel	
Mounting	1/4-28 tapped hole	
Output connector	2-pin, MIL-5015 style	
Mating connector	R6 type	
Recommended cabling	J9T2A	

Contact

Wilcoxon Sensing
Technologies

20511 Seneca Meadows Parkway
Germantown MD 20876, USA

Tel: +1 301 330 8811
Fax: +1 301 330 8873

info@wilcoxon.com

www.wilcoxon.com

Accessories supplied:

- Calibration data (level 3)
- SF6 mounting stud (international customers specify mounting requirements)

Note: Due to continuous process improvement, specifications are subject to change without notice.
This document is cleared for public release.

Wilcoxon Sensing Technologies
20511 Seneca Meadows Parkway
Germantown, MD 20876
info@wilcoxon.com

Tel: (301) 330 8811
Fax: (301) 330 8873
www.wilcoxon.com

Wilcoxon Sensing Technologies
An Amphenol Company