

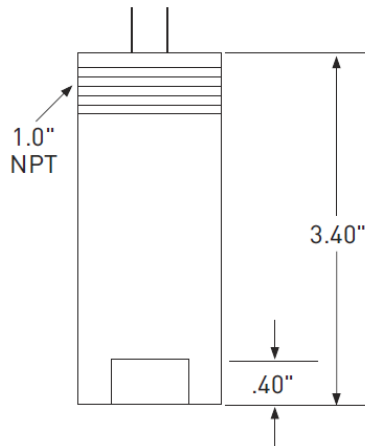
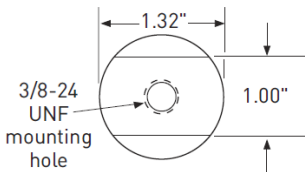
Explosion-proof, acceleration loop powered sensor (LPS)

PC420A-EX series



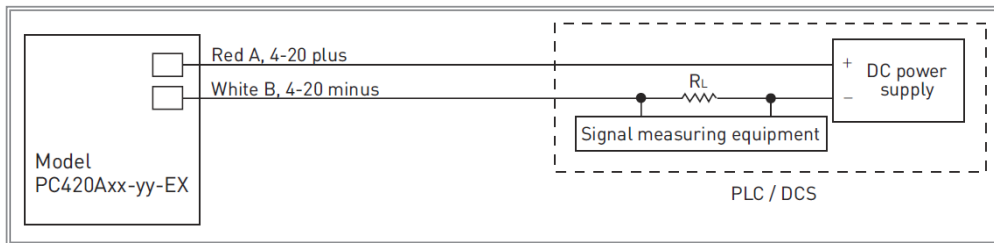
Wilcoxon's 4-20 mA vibration sensors incorporate an accelerometer, data acquisition circuitry, and vibration transmitter in a rugged industrial housing. The explosion-proof sensor provides a 4-20 mA output signal proportional to the overall acceleration level. The 4-20 mA output is commonly accepted by process control systems including PLC, DCS or SCADA for cost-effective continuous vibration monitoring. Simplified condition based maintenance can be performed on machinery without the investment and learning curve associated with traditional vibration monitoring systems.

The acceleration-output sensor gives a signal with increased sensitivity to higher frequencies which can help indicate bearing wear and gear mesh conditions. 4-20 mA sensors are specified by their full scale values, where a "-10" sensor is designed with a full scale range of 10 g's equivalent to 20 mA. By trending overall acceleration, changes can be monitored and when a predetermined increase is reached, an informed decision to shut down machinery can be made.



Function	Cable
loop positive (+)	red
loop negative (-)	white

Typical circuit



Note: Due to continuous process improvement, specifications are subject to change without notice. This document is cleared for public release.

Key features

- RMS, peak equivalent or true peak detection
- Explosion proof certified
- Corrosion resistant
- Provides continuous trending of overall machine vibration
- Hermetically sealed
- Reverse wiring protection
- Manufactured in an approved ISO 9001 facility

Certifications

Class I, Div 1, 2
Groups A, B, C, D
Class II, Div 1, 2
Groups E, F, G
Class III
T3C Ta = 85° C max

II 2 G
Ex d IIC T3
II 3 G
Ex nA IIC T3
-40° C ≤ Ta ≤ 85° C

For hazardous area locations, sensor must be installed in accordance with installation instructions or local code requirements.

- Special conditions for safe use:
- Conduit seal must be installed within 18 inches (450 mm) of the enclosure.
 - Use supply wires with spreading suitable for at least 70° C.



Explosion-proof, acceleration loop powered sensors (LPS)

PC420A-EX series

SPECIFICATIONS

Full scale, 20 mA, ±5%		see table 1
Frequency response:	± 10% ± 3 dB	10 Hz - 1.0 kHz 4.0 Hz - 2.0 kHz
Repeatability		±2%
Transverse sensitivity, max		5%
Power requirements, 2-wire loop power: Voltage at sensor terminals		14 - 30 VDC
Loop resistance ¹ at 24 VDC, max		700 Ω
Turn on time, 4-20 mA loop		< 10 seconds
Grounding		case isolated, internally shielded
Temperature range		-40 to +85° C
Vibration limit		250 g peak
Shock limit		2,500 g peak
Sealing		epoxy sealed
Sensing element design		PZT, shear
Weight		380 grams
Case material		303 stainless steel
Mounting		3/8-24 x 3/8 depth tapped hole
Output leads, 18 AWG		13 ft

Table 1: PC420Ax-yy-EX model selection guide

x (4-20 mA output type)	yy (4-20 mA full scale)
R = RMS output, acceleration	05 = 5 g
P = equivalent peak output, acceleration	10 = 10 g
TP = true peak output, acceleration	20 = 20 g

Notes: ¹ Maximum loop resistance (R_L) can be calculated by:

$$R_L = \frac{V_{DC\ power} - 12\ V}{20\ mA}$$

² Lower resistance is allowed, greater than 10 Ω is recommended.

³ Minimum R_L wattage determined by: (0.0004 x R_L).

DC supply voltage	R_L (max resistance) ²	R_L (minimum wattage capability) ³
12 VDC	100 Ω	1/8 watt
20 VDC	500 Ω	1/4 watt
24 VDC	700 Ω	1/2 watt
26 VDC	800 Ω	1/2 watt
30 VDC	1,000 Ω	1/2 watt

Note: Due to continuous process improvement, specifications are subject to change without notice. This document is cleared for public release.

Wilcoxon Sensing Technologies
20511 Seneca Meadows Parkway
Germantown, MD 20876
info@wilcoxon.com

Tel: (301) 330 8811
Fax: (301) 330 8873
www.wilcoxon.com

Contact

Wilcoxon Sensing Technologies

20511 Seneca Meadows Parkway
Germantown, MD 20876, USA

Tel: +1 301 330 8811
Fax: +1 301 330 8873

info@wilcoxon.com

www.wilcoxon.com

Accessories supplied:

- SF20-2 mounting stud (international customers specify mounting requirements)
- Calibration data (level 2)

Optional accessories:

SF20-1 mounting stud (1/4-28 to 3/8-24)