



CustomControlSensors

Hazardous Areas Adjustable Pressure Switch

6403GZE* & 6403VZE* - Diaphragm Sensors
6403PE* - Piston Sensor



DESCRIPTION

- Highly reliable devices utilizing the CCS Dual-Snap® Belleville disc spring principle pioneered by CCS' engineers.
- Engineering based on aerospace technology.
- Rigid and internally adjustable for convenient field set point adjustment.
- Repeatable and stable set points.
- Vibration and shock resistant.
- High cycle life.
- High over-pressure capability. (System and Proof)

- Various options for wetted materials and electrical ratings to meet a wide range of application requirements and media capability.

SHIPPING WEIGHT: APPROXIMATELY 7.5 LBS (3.4 KGS)

SERIES:

- 6403GZE*
- 6403PE*
- 6403VZE

ADJUSTABLE SET POINT RANGE:

GAGE PRESSURE:

- .44 to 6498 PSIG
- 0.03 to 448 bar
- 3 to 44802 kPa

VACUUM:

- 1" to 28.5" Hg
- 0.03 to 0.96 bar
- 3.4 to 96 kPa

OPERATING TEMPERATURE:

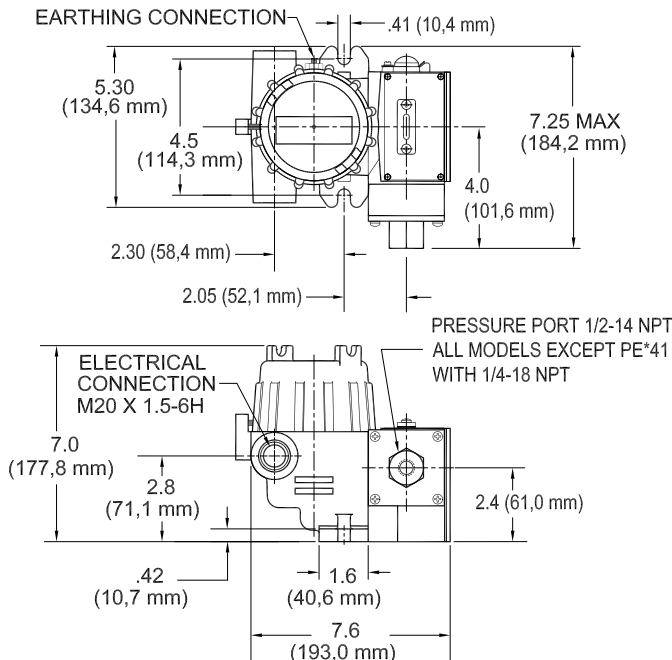
Temperature limits change with O-ring selection.

- 40° to 186°F
- 40° to 86°C

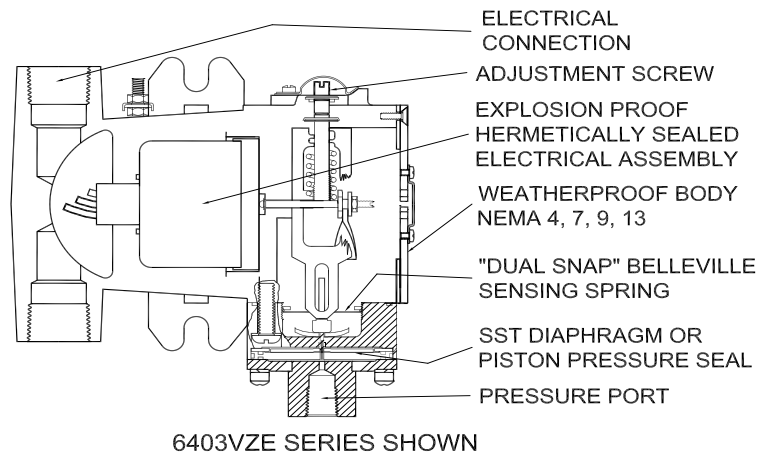
STANDARD FEATURES:

- Hermetically Sealed Electrical Assembly
- Integral Junction Box
- ATEX - Baseefa Certified
- CE Mark
- NACE MR0175:2003
- NEMA: 4, 7, 9, 13 / IP66 & 67

INSTALLATION DRAWING



DESIGN PRINCIPLES



FIELD SETTING: Loosen access cover. Adjust adjustment screw using screwdriver. Clockwise to increase settings. Counterclockwise to decrease setting.



CustomControlSensors

Hazardous Areas Adjustable Pressure Switch

6403GZE* & 6403VZE* - Diaphragm Sensors
6403PE* - Piston Sensor

OPERATING AND ORDERING DATA

SERIES 6403GZE*	WETTED PARTS: 1/2"-14 NPT 316 STAINLESS STEEL PRESSURE PORT AND DIAPHRAGM, VITON O-RING				
	ADJUSTABLE SET POINT RANGE		APPROX. DEAD BAND PSI (BAR)	SYSTEM PRESSURE PSIG (BAR)	PROOF PRESSURE PSIG (BAR)
	INCREASING PRESSURE PSIG (BAR)	DECREASING PRESSURE PSIG (BAR)			
6403GZE*1	1.45-17.4 (0.1-1.2)	0.44-16.4 (0.03-1.13)	1.01 (0.07)	507 (35)	754 (52)
6403GZE*2	8.7-73.9 (0.6-5.1)	2.75-68 (0.19-4.69)	5.95 (0.41)	3000 (207)	4500 (310)
6403GZE*11	17.4-149 (1.2-10.3)	16.4-138 (1.13-9.5)	11.6 (0.8)		
6403GZE*3	45-376 (3.1-25.9)	14.5-345 (1.0-23.8)	30.5 (2.1)		
6403GZE*5	300-1001 (20.7-69)	225-925 (15.5-63.8)	75 (5.2)		
6403GZE*7	899-2306 (62-159)	719-2126 (49.6-146.6)	180 (12.4)		
SERIES 6403PE*	WETTED PARTS: 1/2"-14 NPT 316 STAINLESS STEEL PRESSURE PORT & PISTON, VITON O-RING				
	ADJUSTABLE SET POINT RANGE		APPROX. DEAD BAND PSI (BAR)	SYSTEM PRESSURE PSIG (BAR)	PROOF PRESSURE PSIG (BAR)
	INCREASING PRESSURE PSIG (BAR)	DECREASING PRESSURE PSIG (BAR)			
6403PE*12	14.5-200 (1.0-13.8)	4.35-190 (0.3-13.1)	10.2 (0.7)	2000 (138)	3000 (207)
6403PE*15	149-1494 (10.3-103)	36.3-1381 (2.5-95.2)	113 (7.8)	3000 (207)	5000 (345)
6403PE*21	200-3000 (13.8-207)	51-2853 (3.5-197)	149 (10.3)	5000 (345)	7500 (517)
6403PE*31	2000-4699 (138-324)	1653-4350 (114-300)	350 (24.1)	7500 (517)	10000 (689)
6403PE*41	2000-6498 (138-448)	1509-6005 (104-414)	500 (34.5)	10000 (689)	13000 (896)
SERIES 6403VZE*	WETTED PARTS: 1/2"-14 NPT 316 STAINLESS STEEL PRESSURE PORT, POLYIMIDE DIAPHRAGM, VITON O-RING				
	ADJUSTABLE SET POINT RANGE		APPROX. DEAD BAND INCHES OF Hg (BAR)	SYSTEM PRESSURE PSIG (BAR)	PROOF PRESSURE PSIG (BAR)
	INCREASING PRESSURE INCHES Hg (BAR)	DECREASING PRESSURE INCHES Hg (BAR)			
6403VZE*1	3.5-28.5 (0.12-1.0)	1-26 (0.03-.88)	2.5 (.09)	149 (10.3)	250 (17.2)

HOW TO ORDER

Follow these steps to build your part number:

1. Specify the series based on your required set point, range, dead band, system pressure and proof pressure.
2. Add desired options model code letter.
3. Add the applicable standard suffix number.

(Ex: 6403GZEM11-7008)

PRESSURE CONVERSION

1 BAR = 14.5 PSI
1 kPa = 0.145 PSI

CERTIFICATIONS

Consult CCS website for complete certification and approval listing.

OPTIONAL STANDARD MODIFIED SUFFIXES

7008: Gold Contacts

OPTIONS MODEL CODES

M: DPDT Electrical

Note: Additional modified standard suffixes are available, consult CCS sales department or CCS Representative.

ELECTRICAL ENCLOSURE CERTIFICATIONS

* ATEX - Certificate No. Baseefa04ATEX0113. Baseefa certified for potentially explosive atmospheres electrical assembly series. In compliance with EN 60079-0: 2004, EN 60079-1: 2004 and EN 50281-1-1:1998 + Amendment 1. (Standard)

ELECTRICAL CHARACTERISTICS SCHEMATIC AND WIRING CODE

RATING OF SWITCH ELEMENT

VOLTS	AMPERES	
	SPDT	DPDT "M"
	Res.	Res.
125 AC - 50/60 Hz	15	11
250 AC - 50/60 Hz	15	11
480 AC - 50/60 Hz	15	-
28 DC	-	5
125 DC	.5	.5
250 DC	.2	-
*125 AC - 50/60 Hz	1 max	1 max
*30 DC	1 max	1 max

*Gold Contacts -7008 Suffix

