

2/2 WAY LATCHING DIRECT ACTING SOLENOID VALVE, G 1/8"

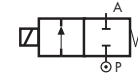
TECHNICAL SPECIFICATIONS

Media ①: water, air, neutral gases
Media temperature: -10°C ÷ +130°C
Ambient temperature: -10°C ÷ +50°C
Body material: brass (CW719R EN 12165) low lead content
Orifice material: stainless steel (1.4305 EN 10088/AISI 303)
Operator material: stainless steel tube, brass plunger
Seal material: foodgrade FKM
Coil power: DC 3w
Protection class: IP 65 (with connector and gasket)

NOTES

① Valve suitable for contact with food media as per the EEC Directives and Regulations. For more specific information, please contact M&M Sales Department.
 Special operator with reduced stroke for low power coils.

TYPE: LC297



Normally Closed

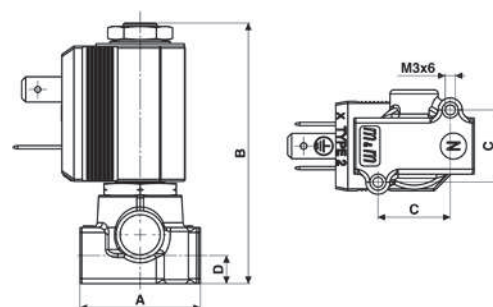


SELECTION TABLE

VALVE	nominal Ø	flow rate Kvs	OPD		
			min.	max. AC	max. DC
code	[mm]	[l/min]	[barg]	[barg]	[barg]
LC297DVA	1.0	0.5	0	—	18
LC297DVB	1.2	0.7	0	—	14
LC297DVC	1.5	1.0	0	—	6
LC297DVE	2.0	1.7	0	—	4
LC297DVG	2.5	2.3	0	—	1.5

COILS low power only	
code	[Volts/Hz]
20Q0	6v DC
21Q0	12v DC
22Q0	24v DC

DIMENSIONS & WEIGHTS		LC297
G connection	[ISO 228]	1/8"
A	[mm]	30
B	[mm]	65
C	[mm]	18
D	[mm]	7
weight	[kg]	0.15



Flow direction overseat 1 → 2