



CustomControlSensors

Non-Hazardous Areas Adjustable Pressure Switch

6900DZ* - Diaphragm Sensor



DESCRIPTION

- Highly reliable devices utilizing the CCS Dual-Snap® Belleville disc spring principle pioneered by CCS' engineers.
- Engineering based on aerospace technology.
- Rigid, compact and internally adjustable for convenient field set point adjustment.
- Repeatable and stable set points.
- Vibration and shock resistant.
- High cycle life.
- High over-pressure capability. (System and Proof)
- Equipped with weatherproof electrical assemblies.

SHIPPING WEIGHT: APPROXIMATELY 49 OUNCES (1372 GRAMS)

SERIES:

6900DZ*

ADJUSTABLE SET POINT RANGE:

DIFFERENTIAL PRESSURE:

.4 to 75 PSID
0.03 to 5.17 bar
2.76 to 517 kPa

OPERATING TEMPERATURE:

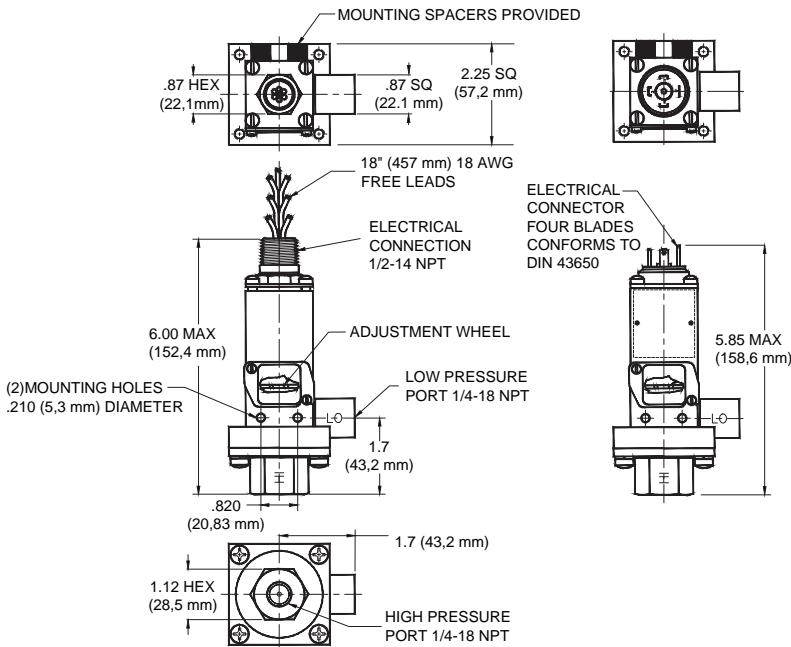
Temperature limits change with O-ring selection.

-40° to 186°F
-40° to 86°C

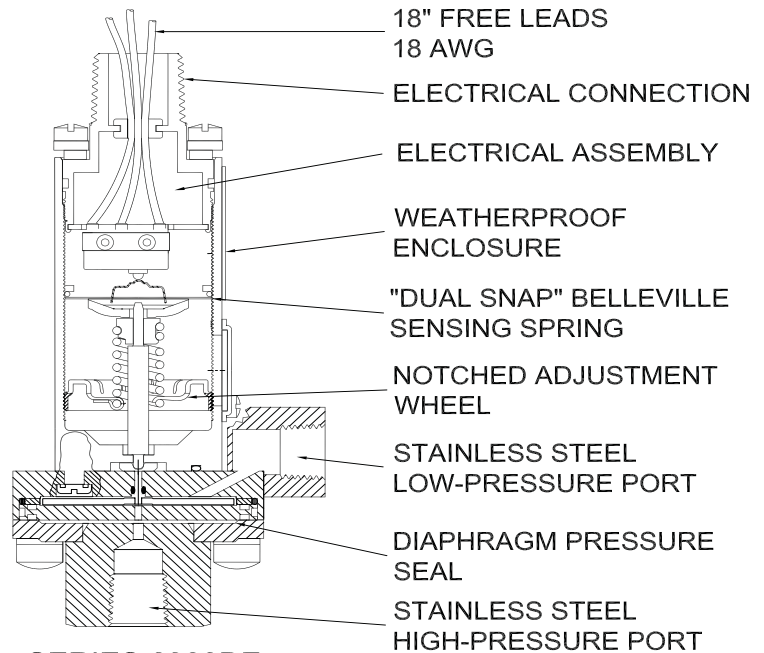
STANDARD FEATURES:

- CE Mark
- CCC
- CRN
- CSA Listed
- NACE MRO175 / ISO 15156
- NEMA: 4,13 / IP66
- Weatherproof

INSTALLATION DRAWING



DESIGN PRINCIPLES



SERIES 6900DZ

FIELD SETTING: Loosen access cover. Adjust adjustment screw using screwdriver slot as illustrated, then attach to a variable pressure source with a suitable gage, and check that the circuit continuity operates at the pressures desired. Clockwise to increase settings. Counterclockwise to decrease setting.

NOTE: DO NOT USE ELECTRICAL HEX FOR TORQUING.





CustomControlSensors

Non-Hazardous Areas Adjustable Pressure Switch

6900DZ* - Diaphragm Sensor

OPERATING AND ORDERING DATA

SERIES 6900DZ*	WETTED PARTS: 1/4"-18 NPT STAINLESS STEEL PRESSURE PORT, POLYIMIDE DIAPHRAGM, VITON O-RING							
	ADJUSTABLE SET POINT RANGE PSID (BAR)		APPROX. DEAD BAND PSI (BAR)	MAX SYSTEM PRESSURE PSIG (BAR)		PROOF PRESSURE PSIG (BAR)		
	INCREASING PRESSURE	DECREASING PRESSURE		HIGH PRESS. PORT	LOW PRESS. PORT	BOTH PORTS SIMULT.	HIGH OVER LOW LOW OVER HIGH	
			HIGH				LOW	
6900DZ*8	1.5-18 (0.103-1.24)	.4-17.2 (0.03-1.19)	1 (0.07)	400 (27.6)		750 (51.7)	750 (51.7)	400 (27.8)
6900DZ*10	6-75 (0.41-5.17)	2-71 (0.13-4.89)	4 (0.28)					

HOW TO ORDER

Follow these steps to build your part number:

1. Specify the series based on your required set point, range, dead band, system pressure and proof pressure.
2. Add desired options model code letter.
3. Add the applicable standard suffix number.

(Ex: 6900DZ8-7077)

PRESSURE CONVERSION

1 BAR = 14.5 PSI
1 kPa = 0.145 PSI

OPTIONAL STANDARD MODIFIED SUFFIXES

- 7008:** Gold Contacts
- 7075:** Electrical Connector with 4 Blades Conforms to DIN-43650 (SPDT only)
- 7077:** Electrical Connector with Gold Contacts and 4 Blades Conforms to DIN-43650 (SPDT only)
- 7090:** 2 Meter Free Leads
- 7092:** 18 inch Teflon Free Leads (Low Temp Wire)

OPTIONS MODEL CODES

- F:** Ethylene Propylene O-Ring
- M:** DPDT Electrical

ACCESSORIES - SOLD SEPARATELY

- 69-102:** Mating DIN-43650 Connector
- 57-159:** Sealing DIN-46650 Gasket

Note: Additional modified standard suffixes are available, consult CCS sales department or CCS Representative.

CERTIFICATIONS

Consult CCS website for complete certification and approval listing.

ELECTRICAL ENCLOSURE CERTIFICATIONS

CSA listed by Canadian Standard Association (CSA) Testing Laboratories (File No. LR22665) for enclosure (4) non-hazardous locations.

ELECTRICAL CHARACTERISTICS

RATING OF SWITCH ELEMENT

VOLTS	AMPERES	
	SPDT	DPDT "M"
	Res.	Res.
125 AC - 50/60 Hz	11	11
250 AC - 50/60 Hz	11	11
30 DC	5	5
125 DC	.5	.5
*125 AC - 50/60 Hz	1 max	1 max
*30 DC	1 max	1 max

*Gold Contacts -7008 Suffix

SCHEMATIC AND WIRING CODE

