

# PT3 Metal Protection Tube Model Code

PT3 - T1 - T2 - T3 - T4 - T5 - T6 - T7

## PT3 Metal Protection Tube

T1	Connection Style
PT	Plain (no connection)
PTF	Flanged
<b>PTT</b>	<b>Threaded</b>

T2	Pipe Size (NPS)
14	1/4" NPS (0.541" diameter)
<b>12</b>	<b>1/2" NPS (0.840" diameter)</b>
<b>34</b>	<b>3/4" NPS (1.050 diameter)</b>
Other	Consult factory

T3	Pipe Schedule
40	Schedule 40
<b>80</b>	<b>Schedule 80</b>
160	Schedule 160

T4	Material Code
<b>316</b>	<b>316/316L stainless steel</b>
310	310 stainless steel
600	Inconel 600
601	Inconel 601
446	446 stainless steel
Other	Consult factory

T5	Specify "H" Length (inches) <sup>2</sup>
"inches"	Specify length in inches
X	Not applicable

T6	Specify "U" Length (inches) <sup>2</sup>
"inches"	Specify length in inches

T7	Process Connection
12	1/2" NPT hex fitting
<b>34</b>	<b>3/4" NPT hex fitting</b>
<b>10</b>	<b>1" NPT hex fitting</b>
14	1-1/4" NPT hex fitting
( )	Specify flange size class & flange face (ex. 2"600#RF)
X	Plain protection tube

Spring Loaded Temperature Sensor Design Lengths	
Model	Temperature Sensor "L" Length (Inches)
RT7 <sup>4</sup>	U + H
TC10 <sup>4</sup>	U + H
TC12BT <sup>5</sup>	U + H
TC12PT <sup>5</sup>	U + H

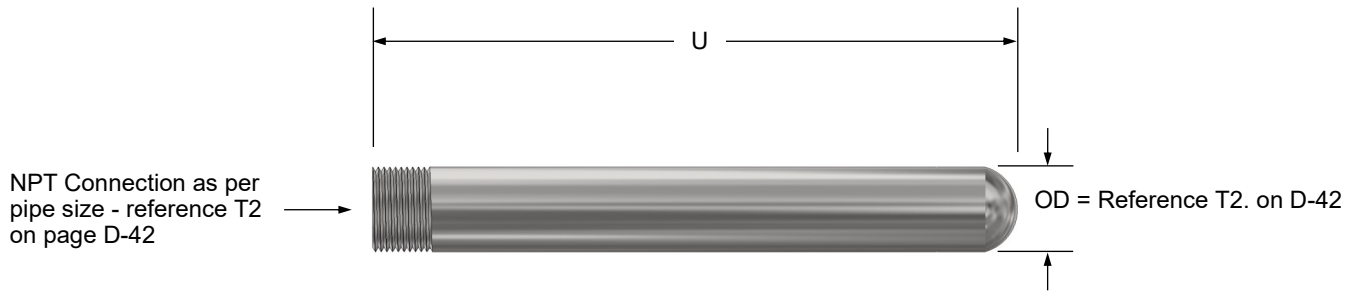
## NOTES:

- Part number example: PT3-PTT-12-80-316-3-24-34
- Reference page D-43 for part outline and dimensions
- Aircom temperature sizing formula: "L" length = "U" + "H" (noted in table above)
- When configuring temperature sensors TC10 and RT7; Must come complete with a connection head and no extension fitting.  
Model number examples:  
TC10-3AL-X-X-K-14-U-S-600-12  
TC10-3CI-X-X-K-14-U-S-CI-12  
RT7-2SS-X-X-A-S-3-LT-18-14
- When configuring temperature sensors TC12BT and TC12BT; Must come complete with a connection head and terminal block  
Model number example:  
TC12BT-14-R-S-K-18 c/w 2SSC
- Bold text indicates most common part selections

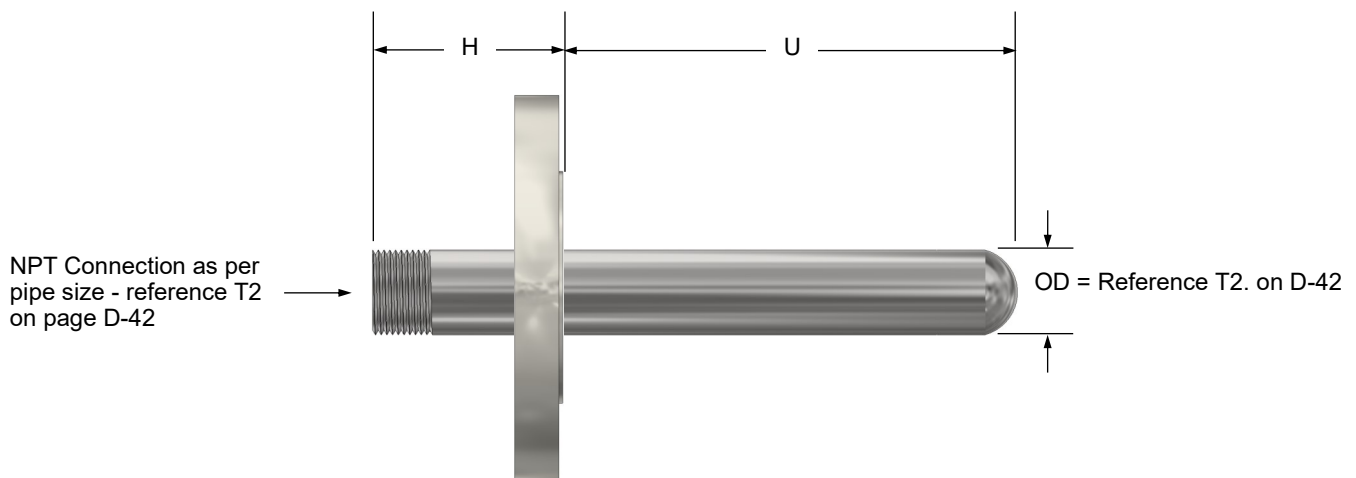


# PT3 Protection Tube Outline & Dimensions

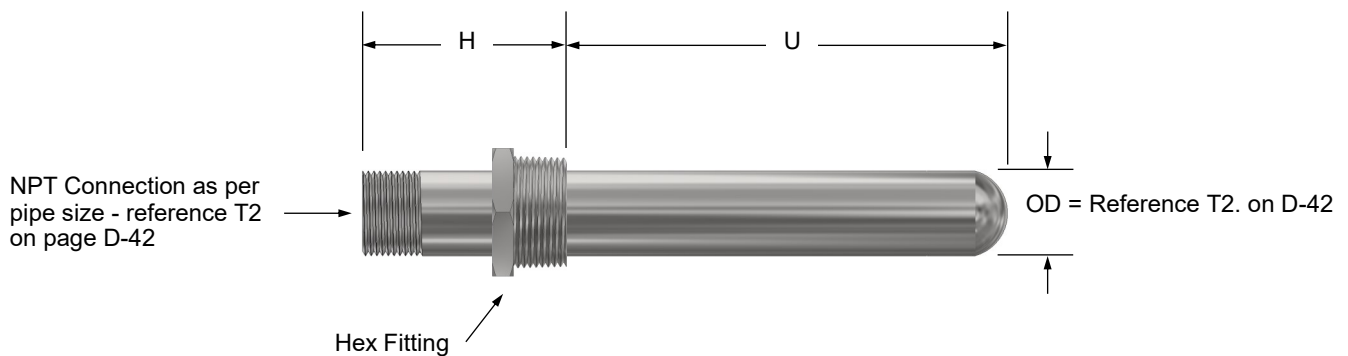
Style PT



Style PTF



Style PTT



## NOTES:

1. Style PTF minimum H dimension = 2.25"
2. Style PTT minimum H dimension = 1.75"