

Luminaire For Hazardous Locations

Installation and Maintenance Manual

Model L1319



Top Hi-Tech Co., Ltd.
5F., No. 113, Zhongcheng Rd.,
Tucheng District,
New Taipei City, 236 Taiwan

Website: www.tht-ex.com
TEL: +886 2 22689570
FAX: +886 2 22689571
e-mail: sales@tht-ex.com

Revision: 201608EL1319US01
Subject to alterations.

1. General Information

Model L1319 LED luminaires are suitable for use in the following hazardous (classified) areas as defined by the National Electrical Code (NEC) and Canadian Electrical Code (CEC):

- Class I, Division 1, Groups B, C, D
- Class II, Division 2, Groups F, G
- Wet Locations (UL 1598)

Refer to the luminaire nameplate for specific classification information, maximum ambient temperature suitability and corresponding operating temperature (T-Code).



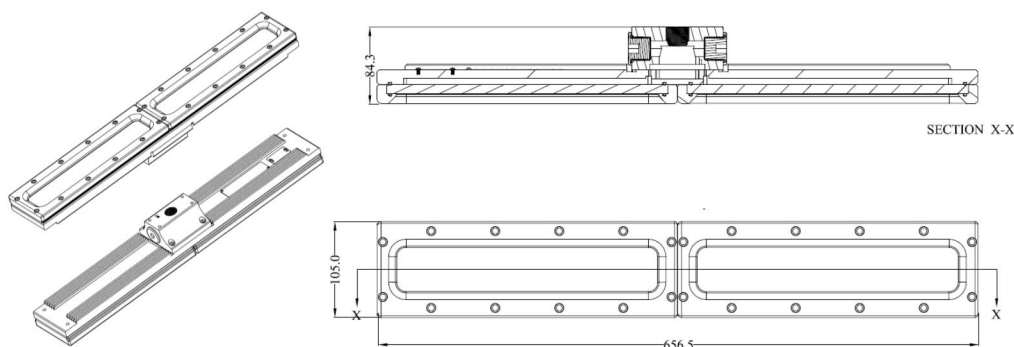
Model L1319 LED luminaire is designed for using in indoors and outdoors environment.

Rated Voltage: 120/277 Vac, 50 & 60 Hz
Ambient Temperature Range: -40°C ~ +55°C

WARNING

- ▶ **To avoid the risk of fire, explosion or electric shock, this product should be installed, inspected and maintained by a qualified electrician only, in accordance with all applicable codes and regulations.**
- ▶ **To avoid electric shock:**
 - ✓ Be certain electrical power is OFF before and during installation and maintenance.
 - ✓ Luminaire must be supplied by a wiring system required by the NEC and CEC for the specific hazardous locations with an equipment grounding conductor.
- ▶ **To avoid explosion:**
 - ✓ Make sure that the supply voltage is the same as the luminaire voltage.
 - ✓ Do not install where the marked operating temperatures exceed the ignition temperature of the hazardous atmosphere.
 - ✓ Do not operate in ambient temperatures above those indicated on the luminaire nameplate.
 - ✓ All gasket seals must be clean and undamaged.
 - ✓ Before dismounting, electrical power to the luminaire must be turned off. Keep tightly closed when in operation.
- ▶ **To avoid burning hands, ensure the luminaire is cool when performing maintenance.**
- ▶ **“WARNING: To prevent ignition of Group B atmospheres conduit runs must have a sealing fitting connected within 2 inches of the luminaire”.**
- ▶ **Mounting Orientation – Lens Face Down.**
- ▶ **The internal grounding terminal shall be used as the equipment grounding means and the external terminal is only a supplemental bonding connection.**

2. Dimensions (All Dimensions in mm)

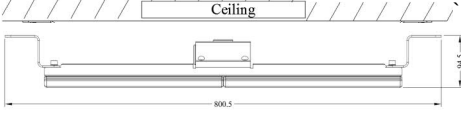
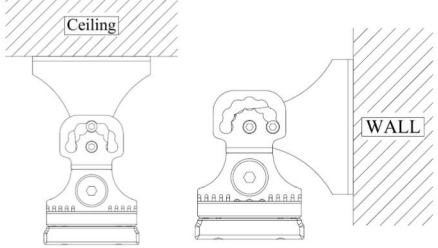


Model Code

THT	E	1319	Z	C	C	C	6	D0	-C90
(1)	(2)	(3)	(4)	(5)	(6)	(7)	(8)	(9)	(10)

- (1) Brand name, THT = Top Hi-Tech Co., Ltd
- (2) Protection type of luminaire, E = Explosion proof luminaire
- (3) Model name, 1319 = Model L1319
- (4) Suffix for manufacturer internal use only, Z = No sub-series under this model
- (5) Designates type of Top Cover, C = Top Cover with opening
- (6) Designates type of LED module, C = LED bar
- (7) Designates CCT of LED, C = Cool white, W = Warm white
- (8) Designates voltage of LED module, 6 = 120 Vac, 9 = 277 Vac
- (9) Designates wattage rating of the luminaire, D0 = 40 W
- (10) Mounting means, C90 = Ceiling mounting 90°; WHT = Two-position (wall/ceiling) trunnion, each position with one aiming angle


3. Technical Data

Item	Description	
Rated Voltage	120/277 Vac, 50 & 60 Hz	
Ambient Temperature Range	-40°C ~ +55°C	
Material Enclosure Glass	Aluminum alloy Heat and impact resistant tempered glass	
LED Service Life	60,000 hrs	
Mounting Type / Weight (Net Luminaire Weight: 7.4 kg)	Ceiling Mounting	Trunnion (Wall & Ceiling) Mounting (Lens Face Down)
		
	7.73 kg	7.96 kg

4. Assembly and Installation

4.1 Electrical Connection

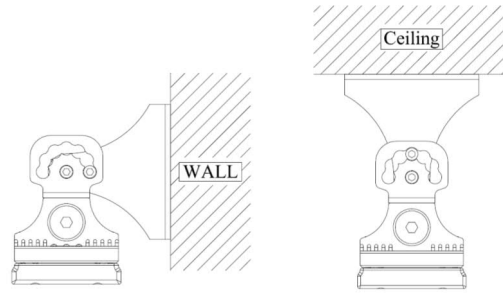
1. Make sure supply circuit is off at the branch source.
2. Insert the integral lead wires (See below Figure A) through the sealing fitting (to be provided in the field, See Note A) in accordance with NEC (National Electrical Code) or CEC (Canadian Electrical Code).
3. Fix and Introduce the wires of luminaire with the terminal post of junction box (to be provided in the field, White-wire connects to Neutral; Red-wire connects to Live; Green-wire connects to Ground.)

Note A	Figure A
Sealing Fitting – Listed for at least Class I, Division 1, Groups B, C and D Hazardous Locations.	End user is to remove the cord jacket outside of the M25 conduit opening. 

4.2 Mounting Bracket Installation

4.2.1 Two position Adjustable Trunnion (Wall & Ceiling) Mounting (WHT) - each position with one aiming angle - Secured to wall/ceiling surface (Lens facing down 90° from vertical = Lens horizontal facing down)

- ☞ The mount bracket is for surface mounting to wall (Figure 1) and ceiling (Figure 2).
- ☞ Position the bracket holders and secured by means of the provided M8 screws with 61 kgf-cm.
- ☞ Secure the wall/ceiling mounting bracket to the mounting surface by using four fasteners (not provided).
- ☞ The luminaire can be adjusted in one position as shown in Figures 1 and 2.



4.2.2 Ceiling Mounting (C90) - Secured to ceiling surface (Lens facing down 90° from vertical = Lens horizontal facing down)

- ☞ The mounting bracket is for surface mounting to ceiling (Figure 3).
- ☞ Position the bracket holders and secured by means of the provided M8 screws with 61 kgf-cm.

- ☞ Secure the ceiling mounting bracket to the mounting surface by using four fasteners (not provided).

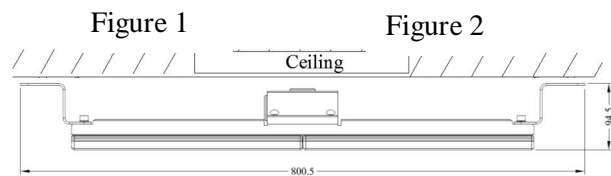


Figure 3

4.3 Putting into Service

Before putting into operating, it's necessary to ensure that:

- ☞ The luminaire is correctly installed.
- ☞ The connection has been correctly made.
- ☞ The voltage is correctly

5. Maintenance

- ▶ To avoid personal injury, disconnect power to the light and allow the unit to cool down before performing maintenance.
- ▶ Perform visual, electrical, and mechanical inspections on a regular basis. The environment and frequency of use should determine this. However, it is recommended that checks be made at least once a year. Frequency of use and environment should determine this. It is recommended to follow an Electrical Preventive Maintenance Program as described in the National Fire Protection Association Bulletin NFPA No. 70B: Recommended Practice for Electrical Equipment Maintenance.
- ▶ The lens should be cleaned periodically to ensure continued luminaire performance. Clean the lens with a clean, damp, non-abrasive, lint-free cloth. If this is not sufficient, use a mild soap or a liquid cleaner. Do not use an abrasive, strong alkaline or acid cleaner as damage may occur.
- ▶ Inspect the cooling fins on the luminaire to ensure that they are free of any contamination (i.e. excessive dust build-up). Clean with a non-abrasive cloth if needed.
- ▶ Electrically check to make sure that all connections are clean and tight.
- ▶ Mechanically check that all parts are properly assembled.

6. Transport, Storage and Disposal

- ▶ Transport and storage is only allowed in the original packaging, on the way pointed out on the carton box.
- ▶ Transport – Shock-free in its original carton, do not drop, and handle carefully.
- ▶ Store – Store in a dry place in its original packaging.
- ▶ Disposal – Ensure environmentally friendly disposal of all components according to the legal regulations.