



CustomControlSensors

Non-Hazardous Areas Adjustable Pressure Switch

675D*800* - Diaphragm Sensor

DESCRIPTION

- Highly reliable devices utilizing the CCS Dual-Snap® Belleville disc spring principle pioneered by CCS' engineers.
- Engineering based on aerospace technology. Rigid, midsize and internally adjustable for convenient field set point adjustment.
- Repeatable and stable set points.
- Vibration and shock resistant.
- High cycle life.
- High over-pressure capability. (System and Proof)



SERIES:

675D*800*

ADJUSTABLE SET POINT RANGE:

DIFFERENTIAL PRESSURE:

.7 to 31" H₂O
 1.7 to 77.2 mbar
 0.17 to 7.72 kPa

OPERATING TEMPERATURE:

Temperature limits change with o-ring selection.

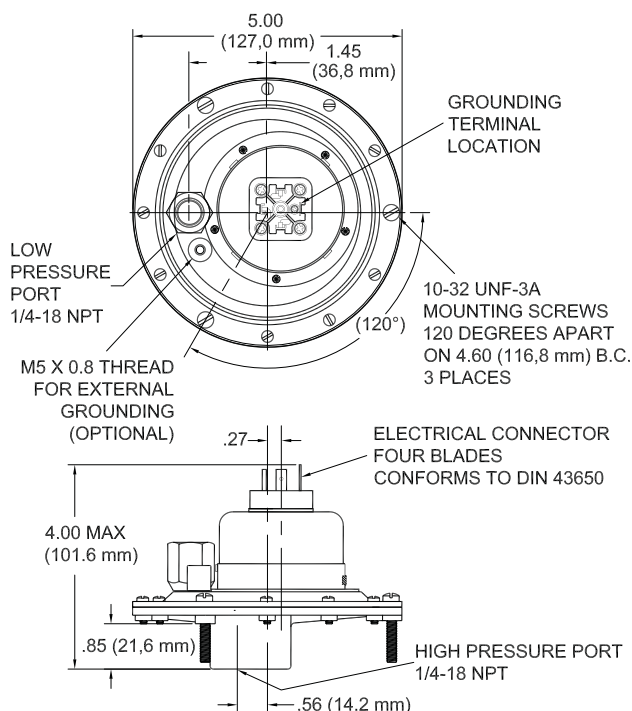
-40° to 186°F
 -40° to 86°C

STANDARD FEATURES:

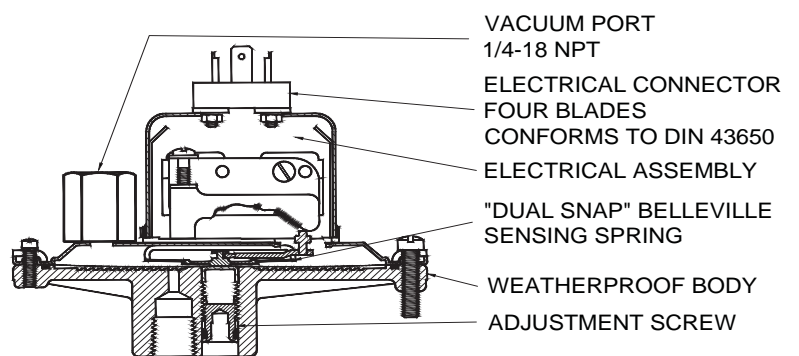
- NEMA: 4,13 / IP65
- Electrical Connector
Conforms to DIN 43650

SHIPPING WEIGHT: APPROXIMATELY 19 OUNCES (538 GRAMS)

INSTALLATION DRAWING



DESIGN PRINCIPLES



SERIES 675D800

FIELD SETTING: Insert 3/16" Allen wrench into adjustment screw (located in pressure port). Clockwise to decrease settings. Counterclockwise to increase settings.





CustomControlSensors

Non-Hazardous Areas Adjustable Pressure Switch

675D*800* - Diaphragm Sensor

OPERATING AND ORDERING DATA

SERIES 675D*800*	WETTED PARTS: 1/4"-18 NPT ALUMINUM PRESSURE PORT, POLYIMIDE DIAPHRAGM, BUNA N O-RING						
	ADJUSTABLE SET POINT RANGE		APPROX. DEAD BAND INCHES H2O (mbar)	MAX SYSTEM PRESSURE PSI (mbar)	PROOF PRESSURE PSI (mbar)		
	INCREASING PRESSURE INCHES H2O (mbar)	DECREASING PRESSURE INCHES H2O (mbar)			BOTH PORTS SIMULT.	HIGH OVER LOW LOW OVER HIGH	
			HIGH	LOW			
675D*8001	1.5-6.9 (3.7-17.2)	0.7-6.1 (1.8-15.3)	0.8 (1.9)	14.75 (1017)	25 (1724)	25 (1724)	14.75 (1017)
675D*8002	7-12.9 (17.4-32.1)	5.5-11.4 (13.7-28.4)	1.5 (3.7)				
675D*8003	13-18.9 (32.4-47.1)	11-16.9 (27.4-42.1)	2.0 (5.0)				
675D*8004	19-24.9 (47.3-62)	16.5-22.4 (41.1-55.8)	2.5 (6.2)				
675D*8005	25-31 (62.3-77.2)	22-28 (54.8-69.8)	3.0 (7.5)				

HOW TO ORDER

Follow these steps to build your part number:

1. Specify the series based on your required set point. range, dead band, system pressure and proof pressure.
2. Add desired options model code letter.
3. Add the applicable standard suffix number.

(Ex: 675DA8001)

PRESSURE CONVERSION

1 BAR = 14.5 PSI
1 kPa = 0.145 PSI

OPTIONAL STANDARD MODIFIED SUFFIXES

7008: Gold Contacts

OPTIONS MODEL CODES

A: Viton® O-Ring

ACCESSORIES - SOLD SEPARATELY

89-130: Optional Switch Mounting Bracket Kit

69-102: Mating Connector

57-159: Sealing Gasket

CERTIFICATIONS

Consult CCS website for complete certification and approval listing.

Note: Additional modified standard suffixes are available, consult CCS sales department or CCS Representative.

ELECTRICAL CHARACTERISTICS

RATING OF SWITCH ELEMENT

VOLTS	AMPERES	
	SPDT	Res.
125 AC - 50/60 Hz	15	
250 AC - 50/60 Hz	15	
480 AC - 50/60 Hz	15	
28 DC	-	
125 DC	.5	
250 DC	.2	

SCHEMATIC AND WIRING CODE

