

CONNECTION HEAD

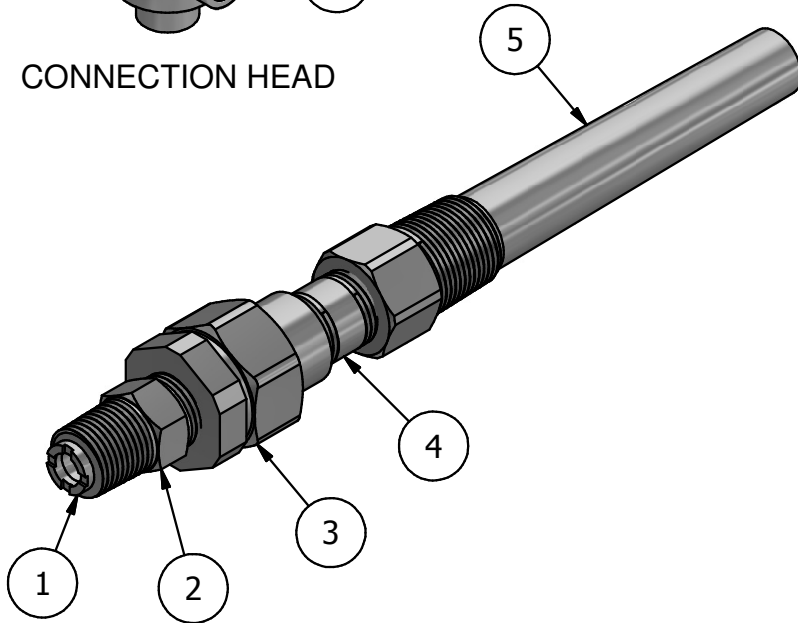
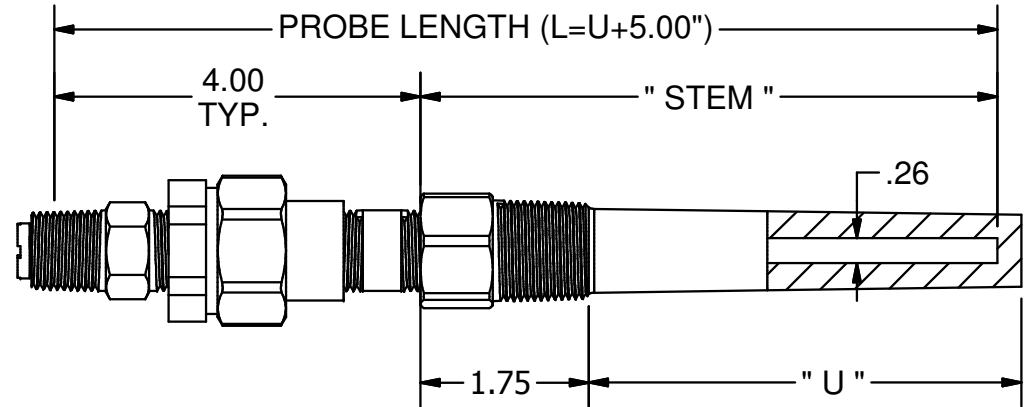


TABLE			
ITEM	QTY	DESCRIPTION	PART NUMBER
1	1	SLOTTED KNURL NUT - 1/4" NPT	I900-010
2	1	1/2" X 1/2" TRANSMITTER BUSHING SHELL	F337-705
3	1	1/2" FNPT EXP. PRF. UNION UNF105	F227-005
4	1	1/2" X 2" CONDUIT NIPPLE - GALVANIZED	F107-205
5	1	S24-X-X-X TAPERED THERMOWELL	-
6	1	CONNECTION HEAD C/W CSA TAG	-
	1	2AL HEAD 1/2" X 3/4", ALUMINUM, NEMA 4	H242-005
	1	2ALT HEAD 1/2" X 3/4", ALUMINUM EPOXY COATED, NEMA 4X	H262-005
	1	2SSHEAD 1/2" X 3/4", STAINLESS STEEL 316, NEMA 4X	H252-005
	1	CSA TAG : EXPLOSION PROOF CLASS 1, GRP B, C & D, CLASS 2 GRP E, F & G	-
7	-	RTD (SEE SHEET 3 OR 4)	-



AI-0008T - L - T - U - X - X - X - X - X - X

THERMOWELL
T = THERMOWELL
X = NO THERMOWELL

"U"
X = NO THERMOWELL
SPECIFY IN INCHES

PROCESS THREAD
X = NONE
3 = 3/4" NPT
4 = 1" NPT

MATERIAL
4 = 304SS
6 = 316SS

RTD RATING
LT - 204° C MAX
VT - 850° C MAX

CONNECTION HEAD
2SS - 316 SS HEAD
2AL - ALUMINUM HEAD
2ALT - TEFLON COATED
X - NOT REQUIRED

TERMINAL BLOCK
T - TERMINAL BLOCK
X - NOT REQUIRED

LEAD WIRE TERMINATION
3J - 3 WIRE WITH JUMPER & LUGS
3W - 3 WIRE BARE ENDED

- NOTES :
- SPECIFY ALL DIMENSION IN INCHES.
 - PROBE LENGTH WITH THERMOWELL (L=U+5.0")
 - PROBE LENGTH WITHOUT THERMOWELL (L=STEM+4.0")
 - CERTIFIED TO BE ASSEMBLED WITH SMAR MODELS TT301,TT302,TT303 & TMT165

TOLERANCES UNLESS NOTED OTHERWISE SPECIFIED DIMENSIONS ARE IN INCHES.

FRACTIONAL : ±1/32"
 DECIMAL
 X.X ±0.1"
 X.XX ±0.01"
 X.XXX ±0.005"
 ANGULAR ±0.5°
 SURFACE FINISH Ra : 125 µin
 BREAK ALL SHARP CORNERS : 0.02 @45°
 REMOVE ALL BURNS.

DWN BY: GS	SCALE: NTS
APD BY: SML	DATE: 05/27/2014
DWG NO: AI-0008T	SHT NO: 1 OF 4
FILE: AI-0008TS	W.O.: -

Aircom
Instrumentation Ltd.



TITLE: 0008T TAPERED THERMOWELL RTD ASSEMBLY

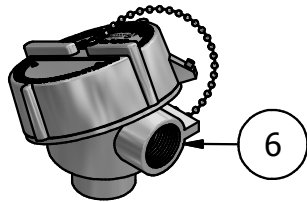
CUSTOMER / CUSTOMER P.O.:
TELEMATIC CONTROLS INC.

9328 - 37 Ave.
EDMONTON, ALBERTA, CANADA T6E 5K3
PH:(780) 434-6916 FAX: (780) 434-6911
SALES@AIRCOMINSTRUMENTATION.COM

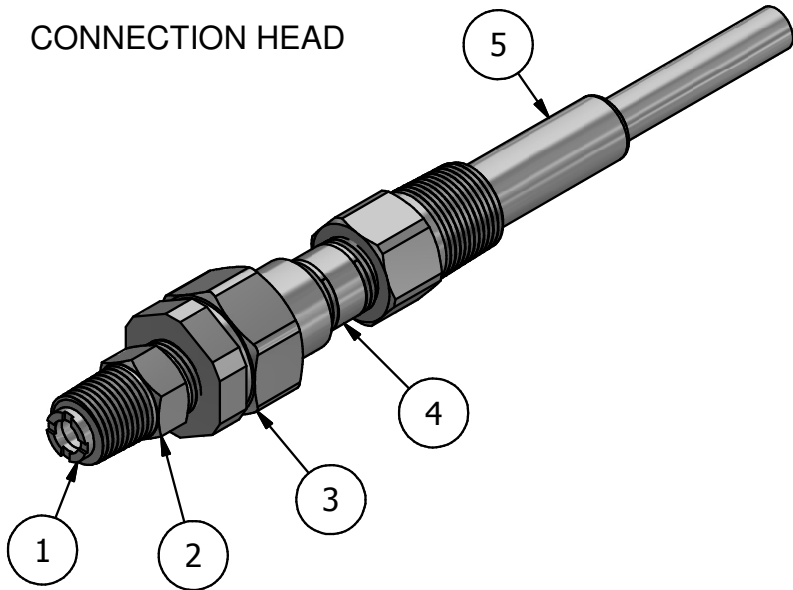


PROPRIETARY: Duplication and/or disclosure in whole or in part, of this document, without the express written consent of Aircom Instrumentation Ltd. is disallowed.

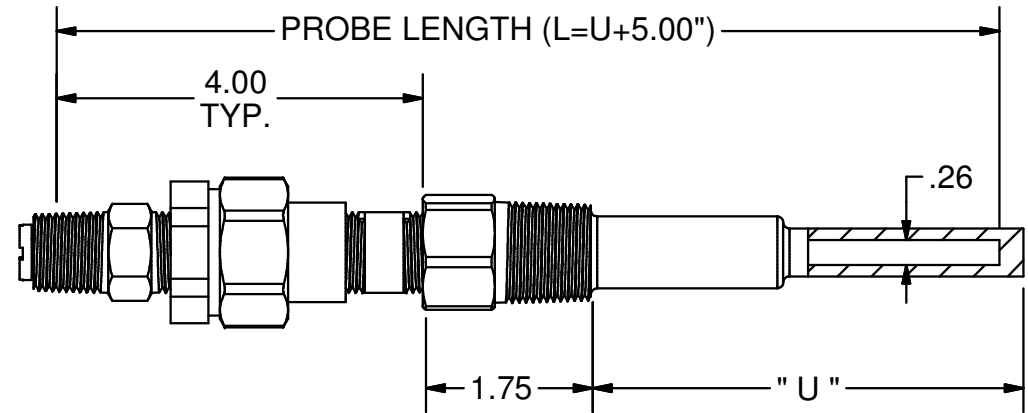
REV.	DESCRIPTION & DATE
10	UPDATES BOM / 06/06/2016 / DWN BY : GS / APD BY : MP
9	UPDATES MODEL # & BOM / 11/05/2015 APD BY : MP



CONNECTION HEAD



PARTS LIST			
ITEM	QTY	DESCRIPTION	PART NUMBER
1	1	SLOTTED KNURL NUT - 1/4" NPT	I900-010
2	1	1/2" X 1/2" TRANSMITTER BUSHING SHELL	F337-705
3	1	1/2" FNPT EXP. PRF. UNION UNF105	F227-005
4	1	1/2" X 2" CONDUIT NIPPLE - GALVANIZED	F107-205
5	1	S26-X-X-X STEPPED THERMOWELL	-
6	1	CONNECTION HEAD C/W CSA TAG	-
	1	2AL HEAD 1/2" X 3/4", ALUMINUM, NEMA 4	H242-005
	1	2ALT HEAD 1/2" X 3/4", ALUMINUM EPOXY COATED, NEMA 4X	H262-005
	1	2SSHEAD 1/2" X 3/4", STAINLESS STEEL 316, NEMA 4X	H252-005
	1	CSA TAG : EXPLOSION PROOF CLASS 1, GRP B, C & D, CLASS 2 GRP E, F & G	-
7	-	RTD (SEE SHEET 3 OR 4)	-



AI-0008S - L - T - U - X - X - X - X - X - X

THERMOWELL	
T	= THERMOWELL
X	= NO THERMOWELL

"U"	
X	= NO THERMOWELL
	SPECIFY IN INCHES

PROCESS THREAD	
X	= NONE
2	= 1/2" NPT
3	= 3/4" NPT
4	= 1" NPT

MATERIAL	
4	= 304SS
6	= 316SS

RTD RATING	
LT	= 204° C MAX
VT	= 850° C MAX

CONNECTION HEAD	
2SS	= 316 SS HEAD
2AL	= ALUMINUM HEAD
2ALT	= TEFLON COATED
X	= NOT REQUIRED

TERMINAL BLOCK	
T	= TERMINAL BLOCK
X	= NOT REQUIRED
LEAD WIRE TERMINATION	
3J	= 3 WIRE WITH JUMPER & LUGS
3W	= 3 WIRE BARE ENDED

- NOTES :
- SPECIFY ALL DIMENSION IN INCHES.
 - PROBE LENGTH WITH THERMOWELL (L=U+5.0")
 - PROBE LENGTH WITHOUT THERMOWELL (L=STEM+4.0")
 - CERTIFIED TO BE ASSEMBLED WITH SMAR MODELS TT301,TT302,TT303 & TMT165

TOLERANCES UNLESS NOTED OTHERWISE SPECIFIED DIMENSIONS ARE IN INCHES.

FRACTIONAL : ±1/2"
 DECIMAL
 X.X ±0.1"
 X.XX ±0.01"
 X.XXX ±0.005"
 ANGULAR ±0.5°
 SURFACE FINISH Ra : 125 μ in
 BREAK ALL SHARP CORNERS : 0.02 @45°
 REMOVE ALL BURNS.

DWN BY: GS	SCALE: NTS
APD BY: SML	DATE: 05/27/2014
DWG NO: AI-0008S	SHT NO: 2 OF 4
FILE: AI-0008TS	W.O.: -

TITLE:	0008S STEPPED THERMOWELL RTD ASSEMBLY
CUSTOMER / CUSTOMER P.O.:	TELEMATIC CONTROLS INC.



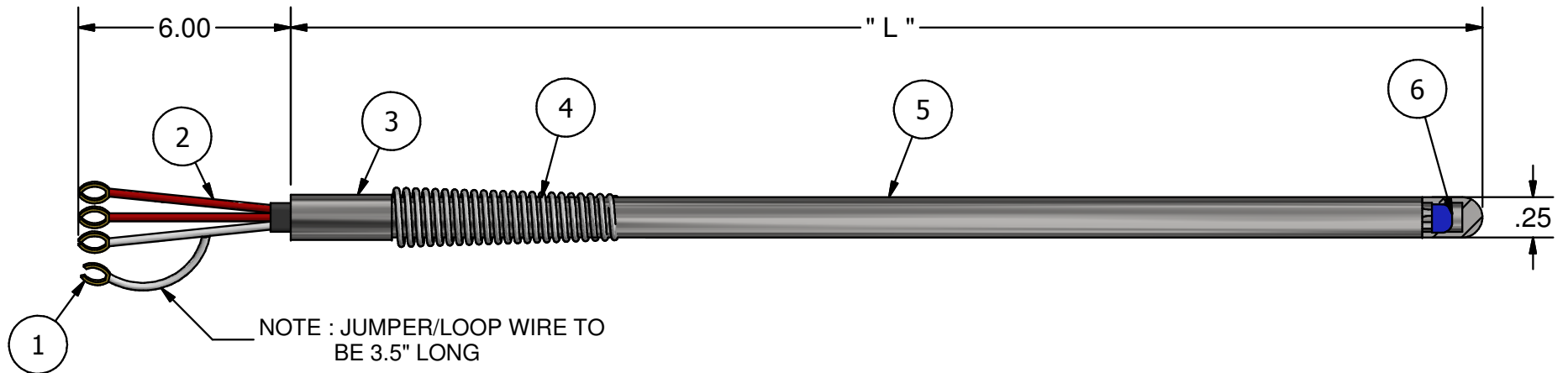
9328 - 37 Ave.
 EDMONTON, ALBERTA, CANADA T6E 5K3
 PH:(780) 434-6916 FAX: (780) 434-6911
 SALES@AIRCOMINSTRUMENTATION.COM



PROPRIETARY: Duplication and/or disclosure in whole or in part, of this document, without the express written consent of Aircom Instrumentation Ltd. is disallowed.

REV.	DESCRIPTION & DATE
10	UPDATES BOM / 06/06/2016 / DWN BY : GS / APD BY : MP
9	UPDATES MODEL # & BOM / 11/05/2015 APD BY : MP

TABLE			
ITEM	QTY	DESCRIPTION	PART NUMBER
1	4	SPADE LUGS	I020-005
2	VARIES	SC-103TE/Tw010-24F (3-conductor, teflon, twisted)	N954-421
3	1	1/4" X 5/8" TRANSITION [FOR VT ONLY]	P111-021
4	1	1/4" SELF GRIPPING SPRING	P213-000
5	VARIES	1/4"-4CON-316MGO FOR VT PROBES	M862-505
	VARIES	1/4 x 0.035 316 Tubing [FOR LT ONLY]	T432-005
6	1	100 ohm Class A thin film RTD element 2mm x 2.3mm (Standard LT)	E000-012
	1	100 ohm Class A ceramic bulb RTD element 1/16 x 5/8 (Standard VT)	E000-014



TO ORDER SPECIFY :

RT4-GP-A-S-3-14-" L "-T-6-SP-SG-LT

RT4-GP-A-S-3-14-" L "-T-6-SP-SG-VT

SP = SPADE LUGS WITH JUMPER



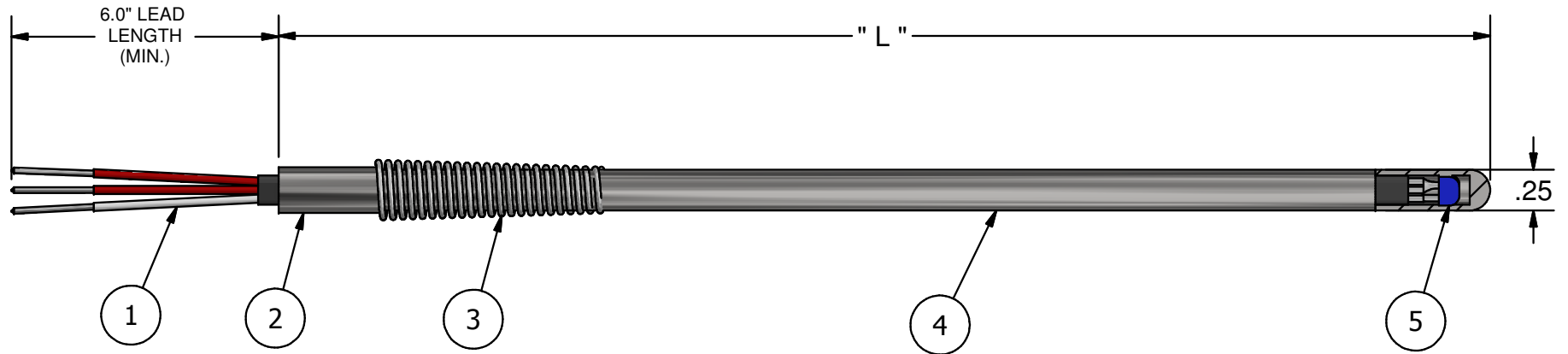
		TOLERANCES UNLESS NOTED OTHERWISE SPECIFIED DIMENSIONS ARE IN INCHES. FRACTIONAL : $\pm \frac{1}{32}$ " DECIMAL X.X ± 0.1 " X.XX ± 0.01 " X.XXX ± 0.005 " ANGULAR $\pm 0.5^\circ$ SURFACE FINISH Ra : 125 μ in BREAK ALL SHARP CORNERS : 0.02 @45° REMOVE ALL BURNS.	DWN BY: GS	SCALE: NTS	TITLE:	
			APD BY: SML	DATE: 05/27/2014	RTD PROBE C/W SPADE LUG & JUMPER WIRE	
			DWG NO: AI-0008-3	SHT NO: 3 OF 4	CUSTOMER / CUSTOMER P.O:	
			FILE: AI-0008TS	W.O.: -	TELEMATIC CONTROLS INC.	
10	UPDATES BOM / 06/06/2016 / DWN BY : GS / APD BY : MP				9328 - 37 Ave. EDMONTON, ALBERTA, CANADA T6E 5K3 PH:(780) 434-6916 FAX: (780) 434-6911 SALES@AIRCOMINSTRUMENTATION.COM	
9	UPDATES MODEL # & BOM / 11/05/2015 APD BY : MP		PROPRIETARY: Duplication and/or disclosure in whole or in part, of this document, without the express written consent of Aircom Instrumentation Ltd. is disallowed.			
REV.	DESCRIPTION & DATE					



TABLE			
ITEM	QTY	DESCRIPTION	PART NUMBER
1	VARIES	SC-103TE/Tw010-24F (3-conductor, teflon, twisted)	N954-421
2	1	1/4" X 5/8" TRANSITION [FOR VT ONLY]	P111-021
3	1	1/4" SELF GRIPPING SPRING	P213-000
4	VARIES	1/4"-4CON-316MGO FOR VT PROBES	M862-505
	VARIES	1/4 x 0.035 316 Tubing [FOR LT ONLY]	T432-005
5	1	100 ohm Class A thin film RTD element 2mm x 2.3mm (Standard LT)	E000-012
	1	100 ohm Class A ceramic bulb RTD element 1/16 x 5/8 (Standard VT)	E000-014



TO ORDER SPECIFY :

RT4-GP-A-S-3-14-" L "-T-6-BE-SG-LT

RT4-GP-A-S-3-14-" L "-T-6-BE-SG-VT

		TOLERANCES UNLESS NOTED OTHERWISE SPECIFIED DIMENSIONS ARE IN INCHES. FRACTIONAL : $\pm \frac{1}{32}$ " DECIMAL X.X ± 0.1 " X.XX ± 0.01 " X.XXX ± 0.005 " ANGULAR $\pm 0.5^\circ$ SURFACE FINISH Ra : 125 μ in BREAK ALL SHARP CORNERS : 0.02 @45° REMOVE ALL BURNS.	DWN BY: GS	SCALE: NTS	TITLE:		
			APD BY: SML	DATE: 05/27/2014	RTD PROBE STANDARD		
			DWG NO: AI-0008-4	SHT NO: 4 OF 4	CUSTOMER / CUSTOMER P.O:		
			FILE: AI-0008TS	W.O.: -	TELEMATIC CONTROLS INC.		
10	UPDATES BOM / 06/06/2016 / DWN BY : GS / APD BY : MP					PROPRIETARY: Duplication and/or disclosure in whole or in part, of this document, without the express written consent of Aircom Instrumentation Ltd. is disallowed.	
9	UPDATES MODEL # & BOM / 11/05/2015 APD BY : MP		9328 - 37 Ave. EDMONTON, ALBERTA, CANADA T6E 5K3 PH:(780) 434-6916 FAX: (780) 434-6911 SALES@AIRCOMINSTRUMENTATION.COM				
REV.	DESCRIPTION & DATE						