

## INDI-PSD

# HAND HELD DISPLAY FOR STRAIN GAGE BASED TRANSDUCERS

The INDI-PSD is a hand held indicator for load cells, force transducer or torque meters based on strain gage technology.



### Features

- o 7 digit LCD display
- o High resolution
- o Light (250 gr.)
- o Dual range
- o Large autonomy (450 hrs in power save mode)
- o TEDS enabled
- o RS232 output (INDI-PSD 232 only)
- o Options
  - Leather case with shoulder strap and clear viewing (option CASE-PSD)
  - Rechargeable batteries with charging unit (230 VAC) (option BATT-PSD)

### Applications

- Force and torque measurement in the field
- Mobile weighing

### Functions

- Tare, hold, peak, through and shunt calibration functions by front keys
- Easy calibration by front keys
- Automatic calibration by TEDS

Specifications	INDI-PSD	INDI-PSD-232	
Type	Strain gauge hand held indicator	Strain gauge hand held indicator	-
Input range	0...5 mV/V	0...5mV/V	-
Sensor excitation	5VDC (59mA max.)**	5VDC (59mA max.)**	-
Display	7 digits LCD (8.8mm)	7 digits LCD (8.8mm)	-
Linearity error	< ± 0.005	< ± 0.005	% F.S.
Temperature coefficient of zero signal	< ± 0.007	< ± 0.007	% F.S./10 C
Temperature coefficient of the sensitivity	< ± 0.005	< ± 0.005	% F.S./10 C
Power supply	2 x AA alkaline batteries*	2 x AA alkaline batteries*	-
IP Rating	IP65	IP65	-
A/D converter	250,000 pts@1Hz / 65,000 pts@10Hz	250,000 pts@1Hz / 65,000 pts@10Hz	-
Communication	no	RS232	-
Service temperature range	-10...+50	-10...+50	C
Storage temperature range	-40...+65	-40...+65	C

\* Battery life : 35h (450h in low power mode) with transducer of 350 Ohm

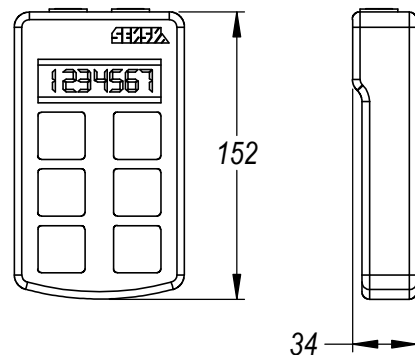
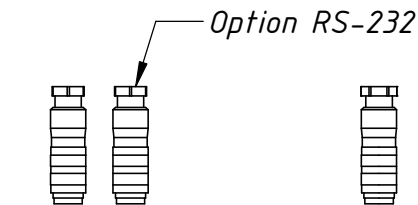
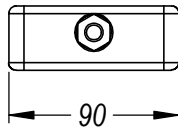
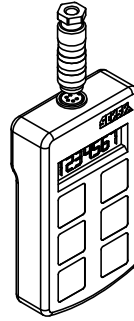
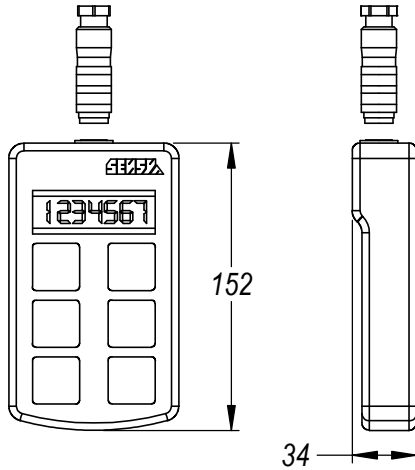
\*\* : Transducer impedance of 85...5000 Ohm

F.S.: full scale - Specifications subject to change without notice

## HAND HELD DISPLAY

model INDI-PSD

The INDI-PSD is a hand held indicator for load cells, force transducer or torque meters based on strain gage technology



- Portable strain gauge indicator with digital display for use as a load cell indicator or strain gauge indicator
- Easy to carry
- Weighing only 250 grams
- Waterproof IP65 NEMA4 battery powered
- Alimentation : 2 x AA alkaline batteries
- 7 digit LCD display, with battery, peak, trough, net, overload and shunt cal indication
- Battery life of 450 hrs in power save mode
- Tactile keyboard, with on/off, range select, peak/valley hold, and gross/net controls
- Microprocessor based, allowing single pass calibration facility (direct mV/V)
- Dual range for values such as Kg and lb
- TEDS enabled for automatic sensor calibration (IEEE1451 - template 33)
- Option : INDI-PSD + RS-232C output (steaming ASCII for print, remote display or data acquisition.