

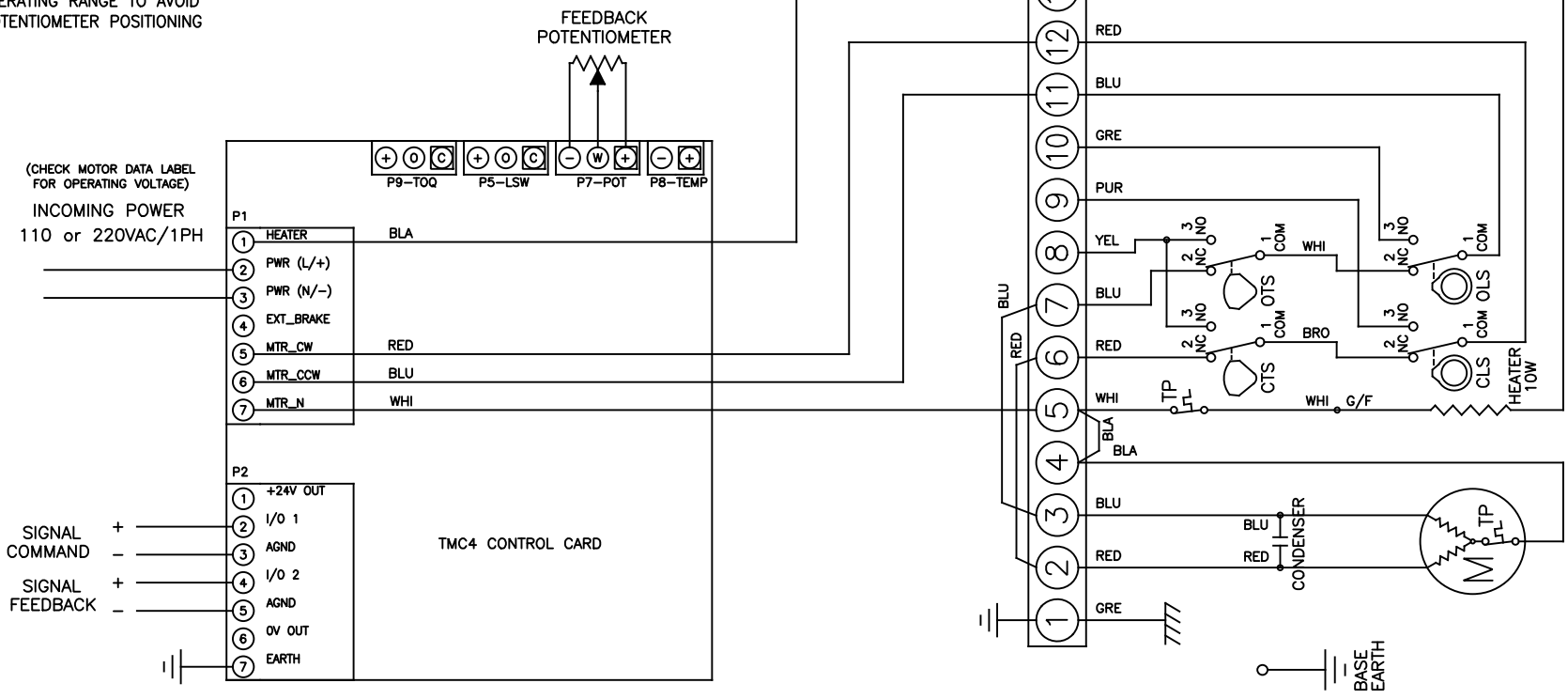
SWITCH	CLOSE ←	INTERMEDIATE	→ OPEN
CLS 1-2			
CLS 1-3			
OLS 1-2			
OLS 1-3			
ACLS1-2			
ACLS1-3			
AOLS1-2			
AOLS1-3			

CTS 1-3 * CLOSING TORQUE SWITCH INTERRUPTS CONTROL IF MECHANICAL OVERLOAD OCCURS DURING CLOSING CYCLE

OTS 1-3 * OPENING TORQUE SWITCH INTERRUPTS CONTROL IF MECHANICAL OVERLOAD OCCURS DURING OPENING CYCLE

SYMBOL	DESCRIPTION	RATING
CLS	CLOSE LIMIT SWITCH	250VAC 10A
OLS	OPEN LIMIT SWITCH	250VAC 10A
CTS	CLOSE TORQUE SWITCH	250VAC 10A
OTS	OPEN TORQUE SWITCH	250VAC 10A
ACLS	AUX. CLOSE LIMIT SWITCH	250VAC 16A
AOLS	AUX. OPEN LIMIT SWITCH	250VAC 16A
TP	THERMAL PROTECTOR	250VAC 15A

CLS AND OLS LIMIT SWITCHES SET AT OR JUST OUTSIDE OF CALIBRATED 0% - 100% OPERATING RANGE TO AVOID INTERFERING WITH FEEDBACK POTENTIOMETER POSITIONING



	9955 INTERNATIONAL BLVD. CINCINNATI, OHIO 45246 PHONE: (513) 247-5465 FAX: (513) 247-5462	<small>TOLERANCE UNLESS OTHERWISE SPECIFIED: TWO PLACE DECIMAL DIM. (Ø) THREE PLACE DECIMAL DIM. (HOLE) ANGULAR DIM. ± 0.5°</small>	DRAWN BY TEM DATE 02/10/22	CHECKED BY KJS DATE 02/10/22	RELEASED BY KJS DATE 02/10/22	HEAT #	SHEET 1 of 1
	DO NOT SCALE DRAWING 	DESCRIPTION WEM-1350 THRU WEM-25900, WEM-1350E THRU WEM-25900E ELECTRIC ACTUATOR, 110VAC OR 220VAC SUPPLY WITH TMC4 SERVO CARD ANALOG CONTROL AND FEEDBACK	DRAWING NO. SE01691	REVISION B			

THE DESIGN AND DISCLOSURE CONTAINED IN THIS DRAWING WAS ORIGINATED BY, AND IS EXCLUSIVE PROPERTY OF A-T CONTROLS, INC. IT IS FURNISHED FOR VENDOR INFORMATION ONLY AND IS NOT AN AUTHORIZATION OR LICENSE TO MAKE THIS CONSTRUCTION OR TO FURNISH THIS INFORMATION TO OTHERS. ALL DRAWINGS MUST BE RETURNED TO A-T CONTROLS, INC. ON DEMAND. THIS DRAWING IS NOT TO BE REPRODUCED OR COPIED IN ANY FORM WITHOUT THE EXPRESS WRITTEN PERMISSION OF A-T CONTROLS, INC.