

- 4 TO 20 mA INPUT
- 4 DIGIT LED DISPLAY IN ENGINEERING UNITS
- TWO INDEPENDENT USER ASSIGNABLE ALARMS
- OUTPUT 4 TO 20 mA
- POLYCARBONATE ENCLOSURE
- WALL OR PIPE MOUNTING



Introduction

IME Model 108RR Digital Indicator allows the 4-20mA two wire signal from any transmitter to be monitored in engineering units and two corresponding alarms to be assigned. Both alarms can be assigned either high or low within the selected range. In addition the Model 108RR allows the re-transmission of the 4-20mA signal.

Description

IME Model 108RR Indicators are designed for use in process industries where vibration, inclement weather and corrosive atmospheres prevail. The electronics are enclosed in a low cost UV resistant polycarbonate housing, which meets NEMA 4X and IP66/68 requirements.

LED Meter

The Model 108RR has 4 LED digit display and can be configured to read from -999 to 9999 with a 4~20 mA input signal. The decimal point location, engineering units, alarm settings, etc can be adjusted using membrane key on the front panel.

Mounting

The Model 108RR can be wall mounted or mounted on a 2" pipe. For mounting the unit on a wall or 2" pipe, a wide choice of stainless steel mounting brackets are also available. (See page 2)

Functional Specifications

Indication Accuracy

0.1% of calibrated range ± 1 digit

Set Point Adjustment

10~100% of full scale, user selectable

Reset

Automatically when the input falls below the alarm set point by approximately $\pm 0.5\%$ of full scale.

Alarm Set Point Accuracy

$\pm 0.5\%$ of full scale.

Alarm Status Indication

LED on front panel

Display Height

10mm (0.4") high, 4 digit LED

Alarm Output

2 sets SPDT, 1 form C, rated 5A @ 230V AC, 50/60Hz

Stability Over Time

0.1% of calibrated range ± 1 digit over 6 months

Over Range Indication

Flashing of display

Output Signal

Dual Relays + 4 to 20mA Two wire signal

Supply Voltage

18~28V DC

Ambient Operating Temperature

-40°C to +60°C

Material of Construction of Enclosure

UV Resistant Polycarbonate

O Rings

Hydrogenated Nitrile

Optional Accessories

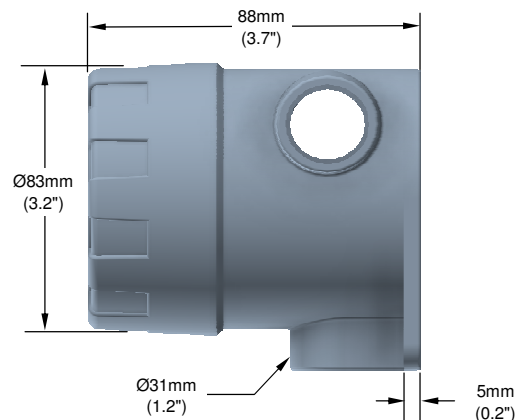
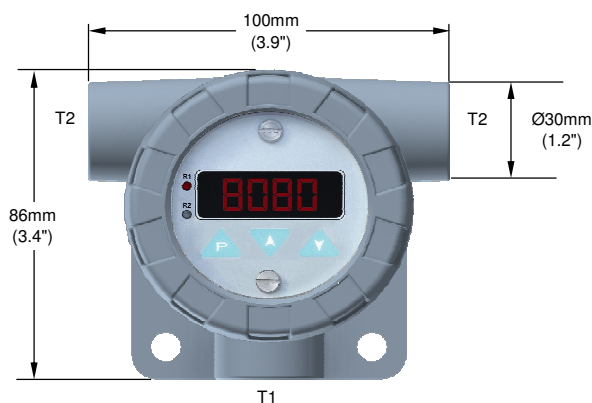
Mounting Brackets (Model 175RC & 175PM)

(See page 2)

Ordering Information

See page 2 for complete ordering information.

POLYCARBONATE ENCLOSURE DIMENSIONS



ORDERING INFORMATION FOR PROCESS INDICATOR

Model	Description																								
108RR	Field Mounted Process Indicator With Dual Relays																								
	<table border="1"> <thead> <tr> <th>Code</th> <th>Instrument Connection (T1)</th> <th>Conduit Size (T2)</th> </tr> </thead> <tbody> <tr> <td>01</td> <td>M16 x 2P(See note 1)</td> <td>3/4" NPT</td> </tr> <tr> <td>02</td> <td>M16 x 2P(See note 1)</td> <td>1/2" NPT</td> </tr> <tr> <td>03</td> <td>M16 x 2P(See note 1)</td> <td>M20 x 1.5P</td> </tr> <tr> <td>04</td> <td>1/2" NPT</td> <td>3/4" NPT</td> </tr> <tr> <td>05</td> <td>1/2" NPT</td> <td>1/2" NPT</td> </tr> <tr> <td>06</td> <td>1/2" NPT</td> <td>M20 x 1.5P</td> </tr> <tr> <td>XX</td> <td>OTHER(SPECIFY)</td> <td>OTHER(SPECIFY)</td> </tr> </tbody> </table>	Code	Instrument Connection (T1)	Conduit Size (T2)	01	M16 x 2P(See note 1)	3/4" NPT	02	M16 x 2P(See note 1)	1/2" NPT	03	M16 x 2P(See note 1)	M20 x 1.5P	04	1/2" NPT	3/4" NPT	05	1/2" NPT	1/2" NPT	06	1/2" NPT	M20 x 1.5P	XX	OTHER(SPECIFY)	OTHER(SPECIFY)
Code	Instrument Connection (T1)	Conduit Size (T2)																							
01	M16 x 2P(See note 1)	3/4" NPT																							
02	M16 x 2P(See note 1)	1/2" NPT																							
03	M16 x 2P(See note 1)	M20 x 1.5P																							
04	1/2" NPT	3/4" NPT																							
05	1/2" NPT	1/2" NPT																							
06	1/2" NPT	M20 x 1.5P																							
XX	OTHER(SPECIFY)	OTHER(SPECIFY)																							
	<table border="1"> <thead> <tr> <th>Code</th> <th>Size of Thread & Cable(mm) for Nylon Cable Glands</th> </tr> </thead> <tbody> <tr> <td>C00</td> <td>No Cable Gland Required</td> </tr> <tr> <td>C01</td> <td>1/2" NPT, Cable Size 5-9mm dia, IME Model 108CG-N-01</td> </tr> <tr> <td>C02</td> <td>1/2" NPT, Cable Size 6-12mm dia, IME Model 108CG-N-02</td> </tr> <tr> <td>C03</td> <td>1/2" NPT, Cable Size 10-14mm dia, IME Model 108CG-N-03</td> </tr> <tr> <td>C04</td> <td>3/4" NPT, Cable Size 9-16mm dia, IME Model 108CG-N-04</td> </tr> <tr> <td>C05</td> <td>3/4" NPT, Cable Size 13-18mm dia, IME Model 108CG-N-05</td> </tr> <tr> <td>C06</td> <td>M20 x 1.5P, Cable Size 5-9mm dia, IME Model 108CG-N-06</td> </tr> <tr> <td>C07</td> <td>M20 x 1.5P, Cable Size 6-12mm dia, IME Model 108CG-N-07</td> </tr> <tr> <td>C08</td> <td>M20 x 1.5P, Cable Size 10-14mm dia, IME Model 108CG-N-08</td> </tr> </tbody> </table>	Code	Size of Thread & Cable(mm) for Nylon Cable Glands	C00	No Cable Gland Required	C01	1/2" NPT, Cable Size 5-9mm dia, IME Model 108CG-N-01	C02	1/2" NPT, Cable Size 6-12mm dia, IME Model 108CG-N-02	C03	1/2" NPT, Cable Size 10-14mm dia, IME Model 108CG-N-03	C04	3/4" NPT, Cable Size 9-16mm dia, IME Model 108CG-N-04	C05	3/4" NPT, Cable Size 13-18mm dia, IME Model 108CG-N-05	C06	M20 x 1.5P, Cable Size 5-9mm dia, IME Model 108CG-N-06	C07	M20 x 1.5P, Cable Size 6-12mm dia, IME Model 108CG-N-07	C08	M20 x 1.5P, Cable Size 10-14mm dia, IME Model 108CG-N-08				
Code	Size of Thread & Cable(mm) for Nylon Cable Glands																								
C00	No Cable Gland Required																								
C01	1/2" NPT, Cable Size 5-9mm dia, IME Model 108CG-N-01																								
C02	1/2" NPT, Cable Size 6-12mm dia, IME Model 108CG-N-02																								
C03	1/2" NPT, Cable Size 10-14mm dia, IME Model 108CG-N-03																								
C04	3/4" NPT, Cable Size 9-16mm dia, IME Model 108CG-N-04																								
C05	3/4" NPT, Cable Size 13-18mm dia, IME Model 108CG-N-05																								
C06	M20 x 1.5P, Cable Size 5-9mm dia, IME Model 108CG-N-06																								
C07	M20 x 1.5P, Cable Size 6-12mm dia, IME Model 108CG-N-07																								
C08	M20 x 1.5P, Cable Size 10-14mm dia, IME Model 108CG-N-08																								
	<table border="1"> <thead> <tr> <th>Code</th> <th>Accessories</th> </tr> </thead> <tbody> <tr> <td>RC</td> <td>Model 175RC Mounting Bracket</td> </tr> <tr> <td>PM</td> <td>Model 175PM Mounting Bracket</td> </tr> </tbody> </table>	Code	Accessories	RC	Model 175RC Mounting Bracket	PM	Model 175PM Mounting Bracket																		
Code	Accessories																								
RC	Model 175RC Mounting Bracket																								
PM	Model 175PM Mounting Bracket																								
	<table border="1"> <thead> <tr> <th>Code</th> <th>2 Inch "U" Bolt with Nuts and Washers</th> </tr> </thead> <tbody> <tr> <td>00</td> <td>None</td> </tr> <tr> <td>01</td> <td>Model 17508, 1 Set (For Model 175RC)</td> </tr> <tr> <td>02</td> <td>Model 17508, 2 Sets (For Model 175PM)</td> </tr> </tbody> </table>	Code	2 Inch "U" Bolt with Nuts and Washers	00	None	01	Model 17508, 1 Set (For Model 175RC)	02	Model 17508, 2 Sets (For Model 175PM)																
Code	2 Inch "U" Bolt with Nuts and Washers																								
00	None																								
01	Model 17508, 1 Set (For Model 175RC)																								
02	Model 17508, 2 Sets (For Model 175PM)																								

Note:

- 1 Ports with M16 x 2P thread are not through holes, they are for Mounting only.

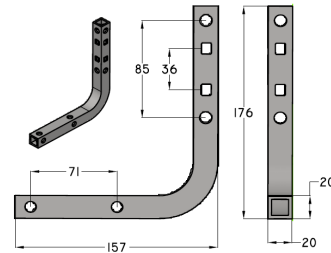
108RR 02 C02 RC 01 ← Typical Model Number

STAINLESS STEEL MOUNTING BRACKET MODEL 175RC

Introduction

This simple hollow square mounting bracket constructed out of SS316 Stainless Steel, can be used to mount a variety of field devices, either on a wall or panel or a 2" Pipe.

When mounting on a 2" pipe, a "U" Bolt is required, which can be supplied optionally.

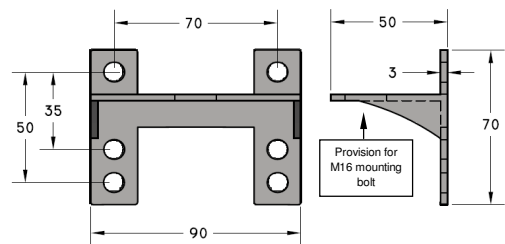


STAINLESS STEEL MOUNTING BRACKET MODEL 175PM

Introduction

This simple "L" Shape mounting bracket constructed out of SS316 Stainless Steel, can be used to mount a variety of field devices, either on a wall or panel or on a 2" pipe.

When mounting on a 2" pipe, two "U" Bolts are required, which can be supplied optionally.



NYLON CABLE GLANDS MODEL 108CG

THREAD SIZE	CABLE SIZE(mm)	MODEL NO
1/2" NPT	5-9	108CG-N-01
	6-12	108CG-N-02
	10-14	108CG-N-03
3/4" NPT	9-16	108CG-N-04
	13-18	108CG-N-05
M20 x 1.5P	5-9	108CG-N-06
	6-12	108CG-N-07
	10-14	108CG-N-08

