

# INTERNATIONAL METAL ENGINEERING

## MODEL 8092 INSTRUMENT ENCLOSURE

- EXPLOSION PROOF CERTIFIED
- NEMA 4X AND IP66/67 CONSTRUCTION
- CHOICE OF SS316 AND COPPER-FREE ALUMINUM
- CHOICE OF TEMPERED GLASS COVER OR BLIND COVER
- WIDE SELECTION OF CONDUIT SIZES
- OPTION FOR A CUSTOMIZE SS NAMEPLATES



### Introduction

#### Material of Construction:

SS316 and Copper-Free Aluminum

#### Certification:

FM (C + US) ATEX & IECEx

#### Connections

½" NPT, ¾" NPT, 1" NPT M20x1.5P,

M25x1.5P, ½" BSP

#### Mounting Holes

As per requirement

#### Surface Finishing

Electro Polish For Stainless Steel

Epoxy Painted For Aluminum

#### "O" Ring

Buna "N"

#### Weight

2.60Kg (5.7lbs) for SS316

1.90Kg (4.2lbs) for Aluminum

#### Accessories

#### Customized SS Nameplate

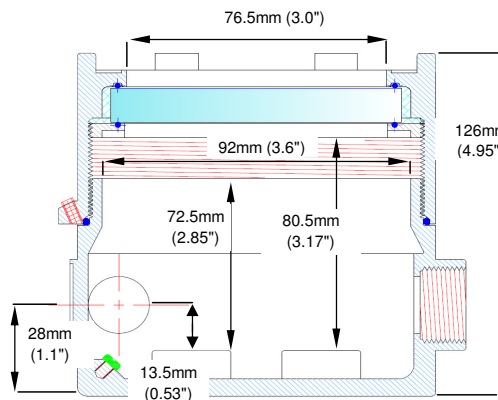
#### Certification System

	Class I, Div 1, Groups B, C and D;
	Class II, Div 1, Groups E, F and G; Class III, NEMA 4X, IP66/67;

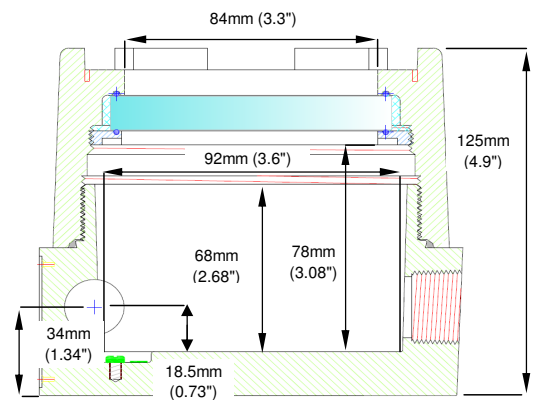
	II 2 G D
	Ex d IIC
	Ex tD A21 IP66 Ta = -40°C to +85°C

	Ex d II C
	Ex tD A21 IP66
	Ta = -40°C to +85°C

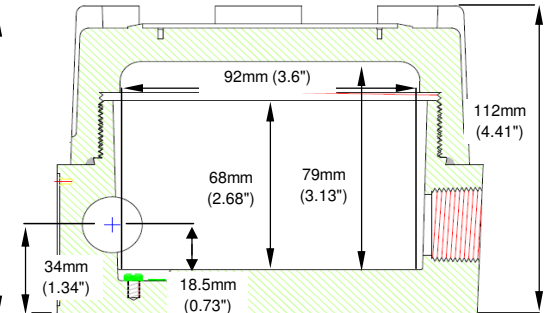
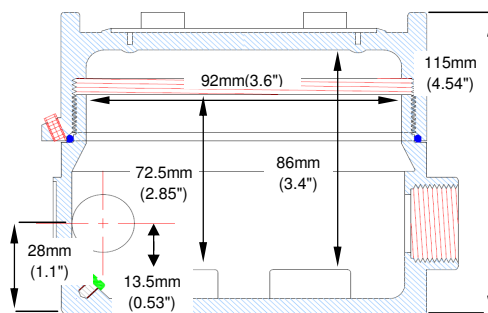
### Dimensions For Stainless Steel



### Dimensions For Aluminum



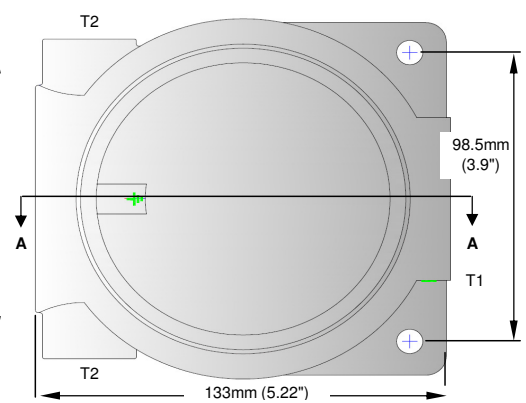
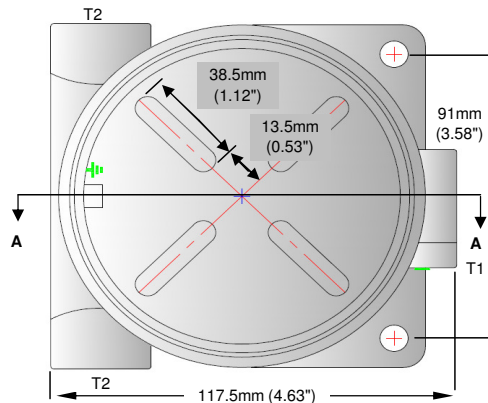
### CROSS SECTION WITH GLASS COVER



### CROSS SECTION WITH BLIND COVER

M4 OR 6/32 MOUNTING HOLES TO BE DRILLED ANYWHERE ON FOUR RAISED MOUNTING LUGS

M4 OR 6/32 MOUNTING HOLES TO BE DRILLED ANYWHERE ON BASE



### MOUNTING HOLES VIEW

# INTERNATIONAL METAL ENGINEERING

## MODEL 8092 INSTRUMENT ENCLOSURE

IME Model 8092 Series Instrument Enclosures are designed to accommodate circuit boards and devices having a maximum diameter of 92mm(3.6") Specifically designed for explosion proof applications, the housing is available in either an epoxy painted Copper-Free Aluminum version or investment casted SS316 to withstand applications where aggressive atmospheres prevail. The housing can be ordered with either a tempered glass cover or blind cover. There is a wide choice of conduit and instrument entries.

### Ordering Information

Model	Description		
8092AN	General Purpose, Die Cast Aluminum, 3 Ports Instrument Enclosure With Blind Cover		
8092AE	FM (C + US) Explosion Proof Certified, NEMA 4X, IP66/67, Die Cast Aluminum, 3 Ports Instrument Enclosure With Blind Cover		
8092AT	ATEX/IECEX Explosion Proof Certified, IP66, Die Cast Aluminum, 3 Ports Instrument Enclosure With Blind Cover		
8092AM	FM (C + US)/ATEX/IECEX Explosion Proof Certified, NEMA 4X, IP66/67, Die Cast Aluminum, 3 Ports Instrument Enclosure With Blind Cover		
8092WN	General Purpose, Die Cast Aluminum, 3 Ports Instrument Enclosure With Tempered Glass Window		
8092WE	FM (C + US) Explosion Proof Certified, NEMA 4X, IP66/67, Die Cast Aluminum, 3 Ports Instrument Enclosure With Tempered Glass Window		
8092WT	ATEX/IECEX Explosion Proof Certified, IP66, Die Cast Aluminum, 3 Ports Instrument Enclosure With Tempered Glass Window		
8092WM	FM (C + US)ATEX/IECEX Explosion Proof Certified, NEMA 4X, IP66/67, Die Cast Aluminum, 3 Ports Instrument Enclosure With Tempered Glass Window		
8092TN	General Purpose, SS316 Housing, 3 Ports Instrument Enclosure With Blind Cover		
8092TE	FM (C + US) Explosion Proof Certified, NEMA 4X, IP66/67, SS316 Housing, 3 Ports Instrument Enclosure With Blind Cover		
8092TT	ATEX/IECEX Explosion Proof Certified, IP66, SS316 Housing, 3 Ports Instrument Enclosure With Blind Cover		
8092TM	FM (C + US)ATEX/IECEX Explosion Proof Certified, NEMA 4X, IP66/67, SS316 Housing, 3 Ports Instrument Enclosure With Blind Cover		
8092SN	General Purpose, SS316 Housing, 3 Ports Instrument Enclosure With Tempered Glass Window		
8092SE	FM(C + US) Explosion Proof Certified, NEMA 4X, IP66/67, SS316 Housing, 3 Ports Instrument Enclosure With Tempered Glass Window		
8092ST	ATEX/IECEX Explosion Proof Certified, IP66, SS316 Housing, 3 Ports Instrument Enclosure With Tempered Glass Window		
8092SM	FM (C + US)ATEX/IECEX Explosion Proof Certified, NEMA 4X, IP66/67, SS316 Housing, 3 Ports Instrument Enclosure With Tempered Glass Window		
	<b>Code</b>	<b>T1</b>	<b>T2</b>
	04	1/2"NPT	3/4"NPT
	05	1/2"NPT	1/2"NPT
	06	1/2"NPT	M20 x 1.5P (See Note 1)
	07	3/4"NPT	3/4"NPT
	08	3/4"NPT	1/2"NPT
	09	3/4"NPT	M20 x 1.5P (See Note 1)
	10	1/2"BSP (See Note 2)	3/4"NPT
	11	1/2"BSP (See Note 2)	1/2"NPT
	12	1/2"BSP (See Note 2)	M20 x 1.5P (See Note 1)
	13	3/4"NPT	None
	14	M20 x 1.5P (See Note 1)	None
	16	1/2"BSP (See Note 2)	None
	17	1/2"NPT	None
	18	None	None
	19	None	3/4"NPT
	20	None	1/2"NPT
	21	None	M20 x 1.5P (See Note 1)
	22	M20 x 1.5P (See Note 1)	M20 x 1.5P (See Note 1)
	23	M27x1.5P (See Note 1)	3/4"NPT
	25	M25x1.5P (See Note 1)	1/2"NPT
	26	M25x1.5P (See Note 1)	3/4"NPT
	27	M25x1.5P (See Note 1)	M20 x 1.5P (See Note 1)
	28	M25x1.5P (See Note 1)	M25x1.5P (See Note 1)
	30	M25x1.5P (See Note 1)	None
	31	1/2"NPT	M25x1.5P (See Note 1)
	32	3/4"NPT	M25x1.5P (See Note 1)
	33	1/2"BSP (See Note 2)	M25x1.5P (See Note 1)
	34	M20 x 1.5P (See Note 1)	M25x1.5P (See Note 1)
	35	1"NPT	M25x1.5P (See Note 1)
	36	None	M25x1.5P (See Note 1)
	37	1"NPT	1/2"NPT
	38	1"NPT	3/4"NPT
	39	1"NPT	M20 x 1.5P (See Note 1)
	40	1"NPT	M25x1.5P (See Note 1)
	42	1"NPT	None
	<b>Code</b>	<b>Optional Accessories</b>	
	MR	Model 175MR Mounting Bracket	
		<b>Code</b>	<b>2 Inch "U" Bolt with Nuts and Washers</b>
		00	None
		02	Model 17508, 2 Sets
8092SM	08	MR	02
← Typical Model Number			

#### Note:

1. A temporary metric label is required when a metric thread is selected. However this thread option is not allowed in Canada.
2. 1/2"BSP thread is not FM Approved.